



WL80



5 Holt Drive,
Stony Point, NY 10980
845-947-3034
www.tslight.com

The WL80 is a high-output flood, equally well suited for illuminating a stage as a worklight or evenly washing a large wall. Available with wide angle reflectors, or an asymmetrical wall wash reflector, this fixture can be batten mounted or track mounted. The WL80 boasts 11,600 source lumens at only 80 watts, rugged construction, and a variety of mounting options.

Manufactured in the USA - IBEW



Electrical

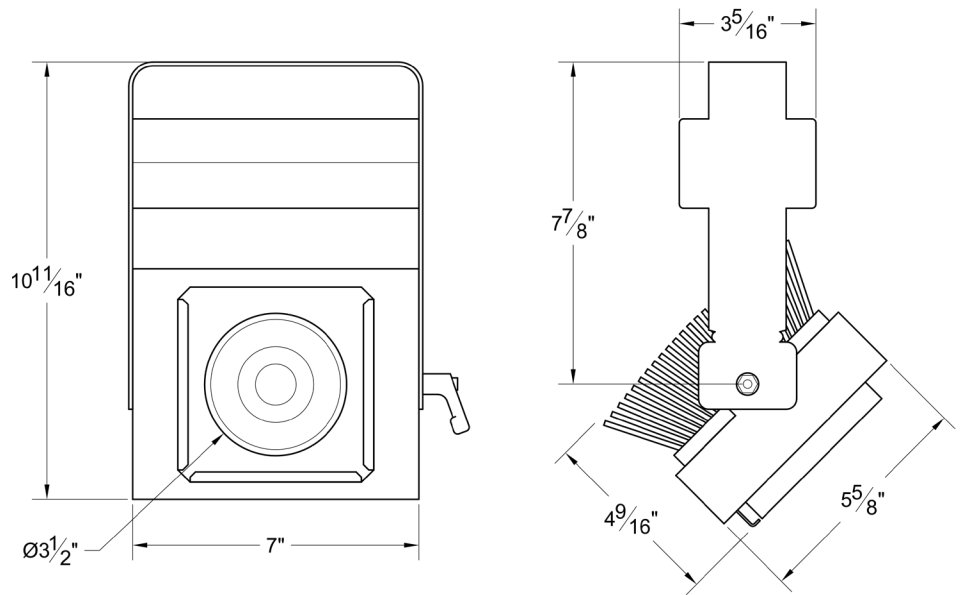
- Integral electronic driver
- 120-277V, 50/60Hz
- Meets FCC 47 CFR Part 15/18 Requirements

Construction

- Steel & aluminum housing with black, white or silver finish
- Weight: 3 lbs.

Dimming

- 1% dim for all 120V options.
- 0-10V: Canopy, DT2, or HDT2 mounting options only. Dims to 0.1% (120V - 277V)
- Leading and trailing edge dimming not available at 277V.



Model	CRI	Lumens	Efficacy (Lm/W)	Wattage
WL80	92	11,600	150	80

Ordering Matrix

Model	CRI	Color Temp	Finish	
WL80	92	27 = 2700K 30 = 3000K 35 = 3500K 40 = 4000K	B = Black W = White S = Silver	
Voltage	Optics	Mounting	Dimming †	Accessories
120 277	20 = 20° 40 = 40° 48 = 48° 64 = 64°	See Mounting Options	TE = Trailing Edge* LE = Leading Edge* 010 = 0-10V	See Accessory Options

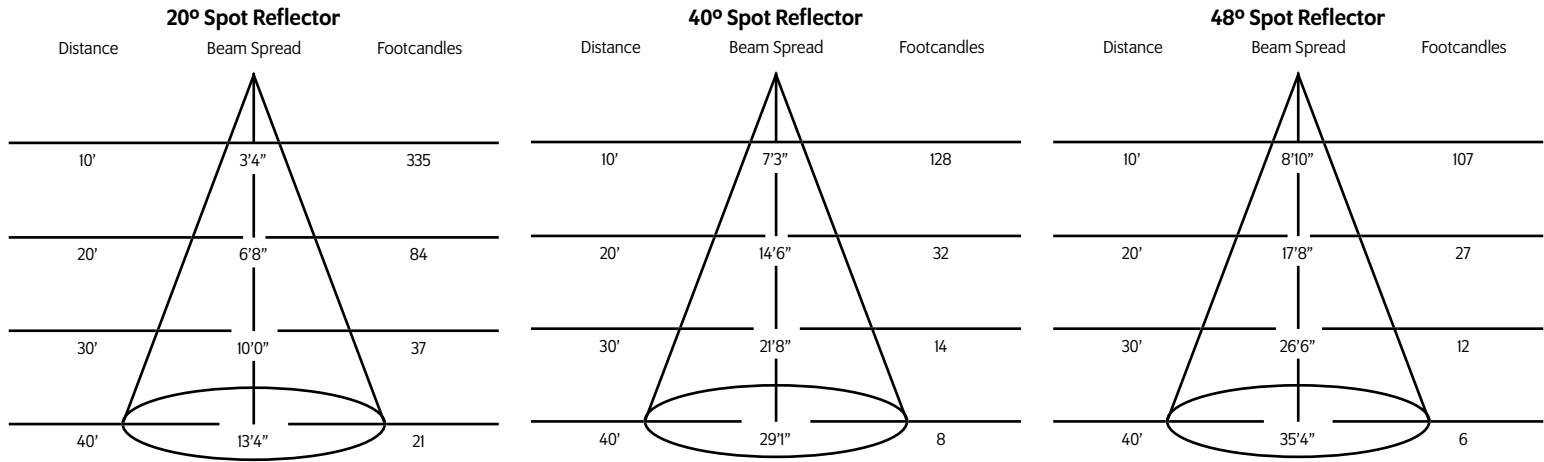
Maximum ambient temperature: 35°C *120V only.
Maximum operating angle: 45° from vertical

† See "Notes on Dimming" Page 2.

Example: WL80-9230-B-120-48-CM4-010-BD21

WL80-_____

Photometric Data



Mounting Options

T1 Track Adapter for commercial grade 1 & 2 circuit track. 120V. For use with larger, heavier fixtures.

TA2 Track adapter for G-Series specification grade 2-circuit track. 120V.

DT2 Track adapter for SpecTrack 2-Circuit data track. 120V.

HTA2 Track adapter for G-Series specification grade 2-circuit track. 277V.

HDT2 Track adapter for SpecTrack 2-Circuit data track. 277V.

TA3 Track adapter for G-Series specification grade 3-circuit track. 120V.

CM4 Canopy Mount

US1 6 $\frac{5}{8}$ " x 1 $\frac{1}{2}$ " Unistrut Adapter

TB8 8" x 8" Portable table base for floor and table use

MN Medium duty pipe clamp for small to large fixtures. For pipes up to 2" O.D.

PC9M Heavy duty pipe clamp for large, heavy fixtures. For pipes up to 2" O.D.

Accessories

LV21

Louver

BD21

Barndoor

CF21

Color Frame

GF21

Glass Color Filter

DF21

Dichroic Color Filter

GF21-600

5° x 50° Linear Lens

GF21-601

Beam Softener

GF21-673

50° x 50° Spread Lens

SC-24

Safety Cable

* For notes on dimming, please [click here](#).