

L38 MAX

33W 3000 LUMEN LED PAR38

MANUFACTURED IN THE UNITED STATES



The L38 Max is a rugged specification grade LED fixture that is capable of replacing 250-watt line voltage and 70-watt metal halide fixtures. Its lightweight and small size make it ideal for interior spaces such as museums, exhibits, shops, residences and other areas where high-intensity light is needed.

Fixture features include an internal self-locking yoke, adjustable head and hinged front for easy re-lamping. Internal accessory holder accepts louvers, barndoors, hoods and a variety of filters. Available in standard black, white and silver finishes. Custom colors are available by request and at an additional charge.

Lamp	Watts	CRI	Lumens
Bright	33	80	3000

FEATURES

- Performance equivalent to 250W halogen PAR lamp
- Internal self-locking yoke
- Internal accessory holder
- Vented rear spinning
- Numerous mounting options
- Equipped with lens rotation and relamping handle
- Dimmable

CONSTRUCTION

- Extruded aluminum housing with black, white or silver finish
- 0-180° tilt, 360° rotation
- Locking yoke
- Accepts accessories
- **Weight:** 1.5 lbs.

LED SPECIFICATIONS

- Bulb Included
- Color Temp Options: 3000K
- CRI: 80
- No UV or IR

ELECTRICAL

- Electronic driver
- 100-120V, 50/60Hz
- Meets FCC 47 CFR Part 15/18 Requirements

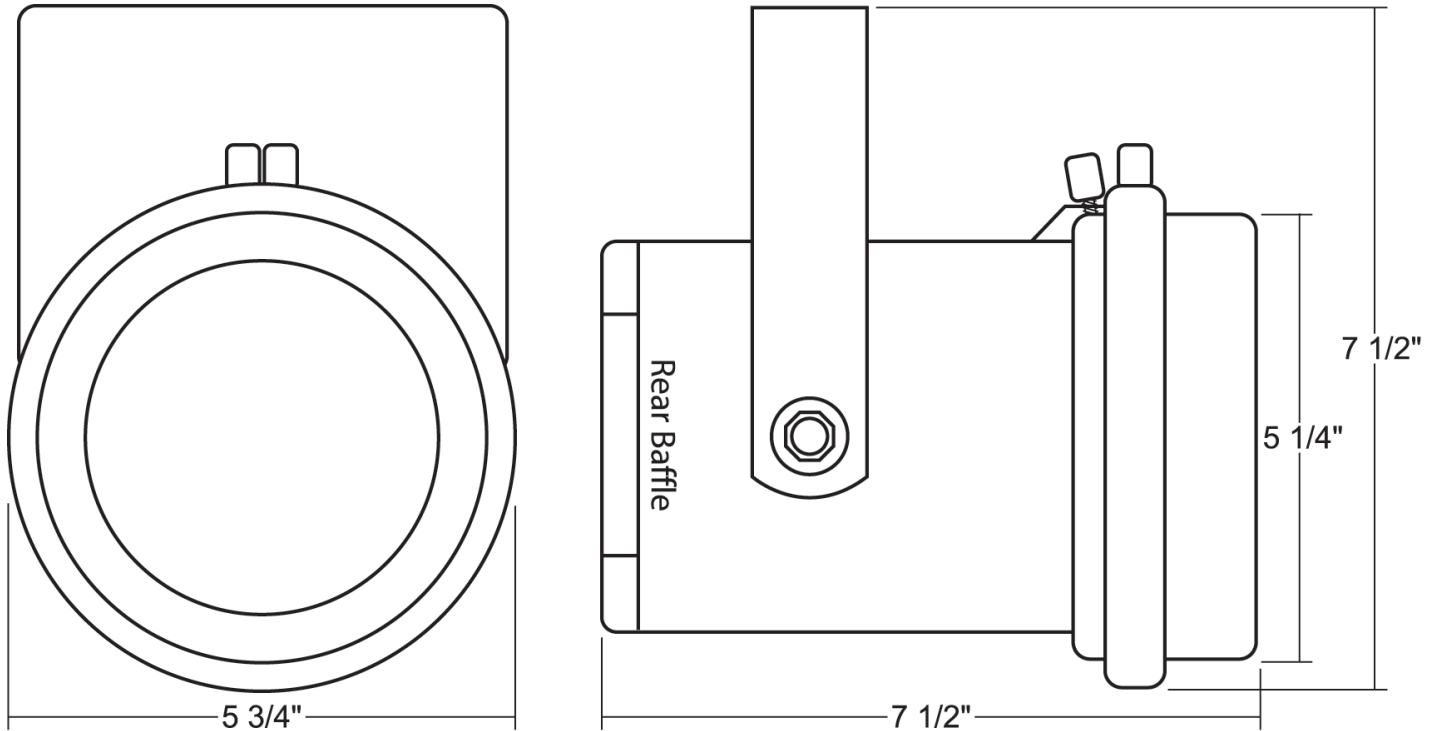
DIMMING

- Trailing edge (ELV)
- Leading edge (Triac)

L38 MAX

33W 3000 LUMEN LED PAR38

MANUFACTURED IN THE UNITED STATES



PHOTOMETRIC DATA

Light Up Your Design! Photometric data for this fixture is on its way. We're working hard to provide you with comprehensive performance details to help you illuminate your projects perfectly. **Stay tuned!**

MOUNTING OPTIONS

AD1 Track adapter for commercial grade 1-circuit track. Good for use with small, lightweight fixtures.

T1 Track adapter for commercial grade 1 & 2 circuit track. 120V. For use with larger, heavier fixtures.

DT2 Track adapter for SpecTrack 2-Circuit data track. 120V.

TA2 Track adapter for G-Series specification grade 2-circuit track. 120V.

TA3 Track adapter for G-Series specification grade 3-circuit track. 120V.

CM4 Canopy mount.

US1 6 5/8" x 1 1/2" Unistrut adapter.

TB4 6 1/4" Portable wall mount/table base floor, wall or table use.

TB8 8" x 8" Portable table base for floor or table use.

MC Light duty pipe clamp for small fixtures. For pipes up to 1 5/16" O.D.

MN Medium duty pipe clamp for small to large fixtures. For pipes up to 2" O.D.

PC9M Heavy duty pipe clamp for large, heavy fixtures. For pipes up to 2" O.D.

CONNECTOR / PLUG TYPES (OPTIONAL)

ED	Edison Connector
TL	Twist Lock Connector
SP	Storage Pin Connector

IES FILES

Visit tslight.com for comprehensive IES data.

FIXTURE ACCESSORIES

LV8	Louver
XL8	Cross Baffle Louver
BD7A	Barndoor
HD8	Hood
XH8	Cross Baffle Hood
SH8	Sparkle Hood
CF8	Color Frame
GF8	Glass Color Filter
DF8	Dichroic Color Filter
GF8-600	5° x 50° Linear Lens
GF8-601	Beam Softener
GF8-673	50° x 50° Spread Lens
CC18	Coiled Cord
SC-24	Safety Cable
IP	Integral Dimmer
WL	Wrench Locking

DIMMING

IP	Integral Pot Dimming
----	----------------------

NOTES ON DIMMING

Visit tslight.com or scan the QR Code.



L38 MAX

33W 3000 LUMEN LED PAR38

MANUFACTURED IN THE UNITED STATES



SPECIFY:

MODEL	CRI	COLOR TEMPERATURE	
L38M	80	30 = 3000K	
FINISH	OPTICS	MOUNTING OPTIONS	FIXTURE ACCESSORIES
B = Black W = White S = Silver CC = Custom Color	12 = 12° Degree 25 = 25° Degree	See Mounting Options for Ordering Codes	See Fixture Accessories Options for Ordering Codes

ORDERING INFORMATION

PROJECT:	
LOCATION:	
QUANTITY:	
CONTACT:	
PHONE:	
EMAIL:	

EXAMPLE: L38M-8030-B-12-AD1-LV8

MODEL	CRI	COLOR TEMPERATURE	FINISH	OPTICS	MOUNTING OPTIONS	FIXTURE ACCESSORIES
L38M						