



PAR30L

THEATRICAL PAR30



5 Holt Drive,
Stony Point, NY 10980
845-947-3034
info@tslight.com

The PAR30L is a compact, theatrical style unit designed for PAR30 short neck lamps. The PAR30L is ideal for lighting in galleries, museums and retail applications. Comes in standard black, white, and chrome finishes. Custom colors available by request and at an additional charge.

By utilizing Soraa's Snap System, there are unlimited possibilities for customizing this fixture. Options include the ability to field change the beam angle (Beam Spreader Snap), alter color temperature (CTO Snap), or to add a louver. Color Snaps can be used to produce brilliant hues of any color that Rosco or Lee offer.

Manufactured in the USA - IBEW

PRODUCT LISTED
BY A NATIONALLY
RECOGNIZED
TESTING
LABORATORY



Features

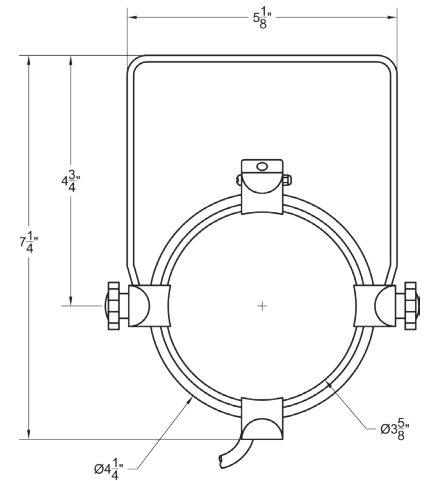
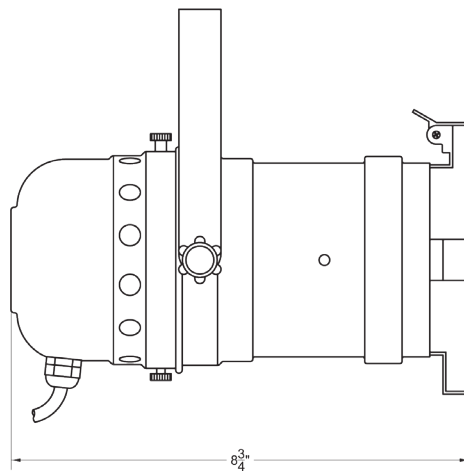
- Theatrical Design
- Accepts PAR30 short neck lamps and LED's
- Accessory holder with safety catch
- Numerous mounting options

LED

- 9° SORAA lamp included - use snaps to change the beam angle.
- **Color temp options:** 2700K, 3000K, 4000K
- **CRI:** 85 or 95
- No UV or IR

Dimming*

- Trailing edge (ELV)
- Leading edge (Triac)



LED Lamp Types

Lamp Type	CCT	Watts	CRI	Lumens*
Vivid	2700K	18.5	95	930
Vivid	3000K	18.5	95	1000
Brilliant	2700K	14	92	1190
Brilliant	3000K	14	92	1230

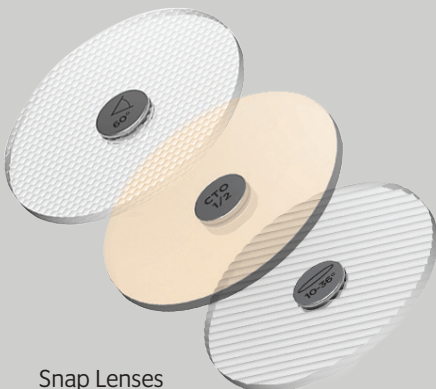
Ordering Matrix

Model	CRI	Color Temperature	Color	Mounting Options	Accessories
PAR30L	95 85	27 = 2700K 30 = 3000K	B = Black W = White S = Silver CC = Custom Color	See Mounting Options	See Accessory Options

* All fixtures sold with 9° beam angle lamps - use Beam Spreaders to achieve desired angle.

Example: PAR30L-95-27-B-AD1-01145

PAR30L - _____ - _____ - _____ - _____ - _____

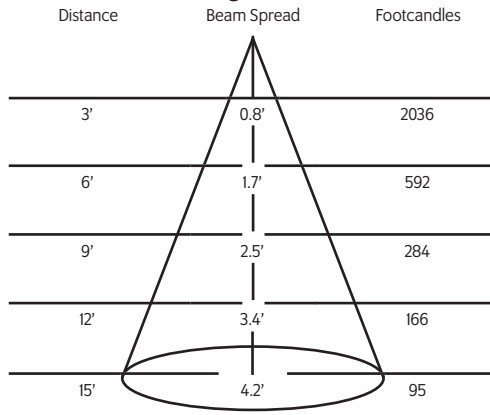


Snap Lenses

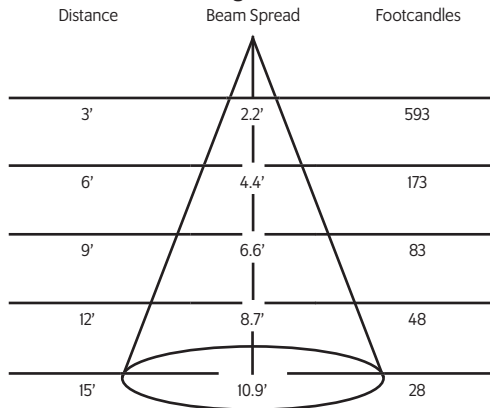
* Specification sheets are subject to change without notice.

Photometrics

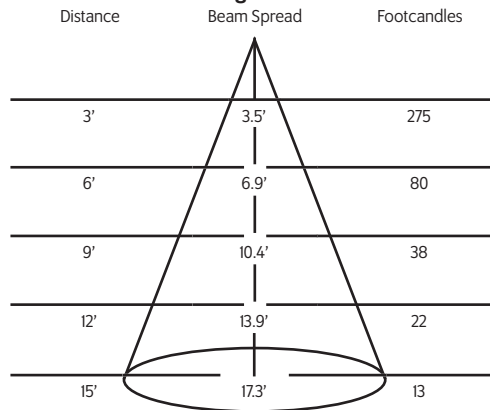
9° Degree Beam



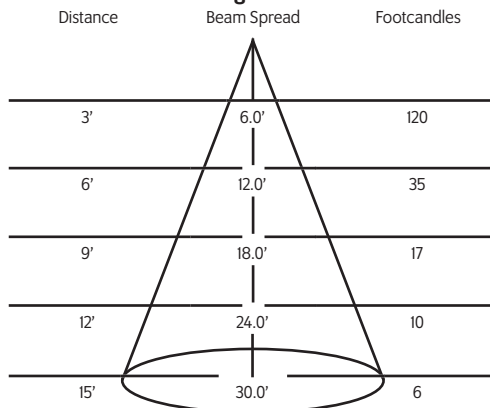
25° Degree Beam



36° Degree Beam



60° Degree Beam



* Testing done on 3000K unit: Lumen output changes based on color temperature.

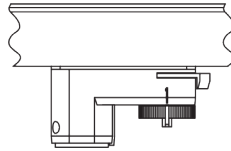
Mounting Options

AD1 Track Adapter for commercial grade 1-circuit track. 120V. For use with lightweight fixtures.

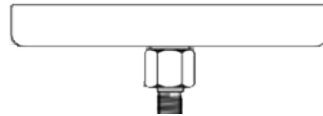
TA1 Track adapter for E-Series specification grade track. 1 circuit. 120V.

TA2 Track adapter for G-Series specification grade 2-circuit track. 120V.

TA3 Track adapter for G-Series specification grade 3-circuit track. 120V.



CM4 Canopy Mount



US1 6⁵/₈" x 1¹/₂" Unirnut Adapter

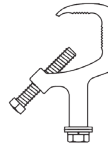


TB4 6¹/₄" Portable wall mount/table base floor, wall or table use.



MC Light duty pipe clamp for small fixtures. For pipes up to 1 5/16" O.D.

MN Medium duty pipe clamp for small to large fixtures. For pipes up to 2" O.D.



Accessories

LV43	Louwer
BD43	Barndoor
GF43	Glass Color Filter
DF43	Dichroic Color Filter
GF43-600	50°x50° Linear Lens
GF43-601	Beam Softener
GF43-673	50°x50° Spread Lens
CC18	Coiled Cord
SC-24	Safety Cable

Snap Accessories

01145	25° Beam Spreader Snap
01147	36° Beam Spreader Snap
01149	60° Beam Spreader Snap
01595	10°-36° Linear Snap
03261	10°-60° Linear Snap
01597	36°x36° Flat Top Snap
01151	40° Cutoff Louver
03257	20° Maximum Deflection Snap
01153	¼ Color Temperature Shift Snap
01155	½ Color Temperature Shift Snap
01157	¾ Color Temperature Shift Snap
03283	Enhance Snap
02185-C	Color Snap (Specify Color)
CC18	Coil Cord

Extension Wands

SP 12	12" Stem
SP 18	18" Stem
SP 24	24" Stem
SP X	Custom Length

Finish

B	Black
W	White
S	Silver
CC	Custom Color