



Type(s)
Project
Date
Notes

GENERAL INFORMATION

The ColorSource CYC is a dedicated cyclorama fixture designed with the sole purpose of creating beautiful, smooth washes of light on a cyclorama or wall. And it delivers! This is the first ETC fixture to use this innovative five-color mix of red, green, blue, lime, and indigo for expanded range and color control.

PRODUCT FEATURES

- All LED (RGBI-L)
- Rich, bright light
- Fanless operation
- Stand-alone presets and sequences
- Simple setup and user interface

ORDERING INFORMATION

ColorSource CYC

MODEL	DESCRIPTION	ETL PART NUMBER	CE PART NUMBER	
CSCYC	ColorSource CYC fixture, black	7415A1000	7415A1200	

Color Options: Fixture ships standard in black. For additional colors please use the below color code suffix:

Add -1 for white, -5 for silver or -8 for custom color.

Notes: C-clamp sold separately

COLORSOURCE CYC SHIPS WITH:

- Hanging yoke
- Power cable



PRODUCT SPECIFICATIONS

Source

LED details	42 Lumileds LUXEON® C LEDs
Max lumens	4,117
Lumens per watt	31
L70 rating (hours to 70% output)	50,000 hours (estimate pending LM84 test data)

Color

Colors used	Red, green, blue, indigo and lime
Color temperature range	Variable
Calibrated array	Yes
Red shift	No

Optical

Beam angle range	N/A (asymmetrical)
Gate size	N/A
Aperture size	N/A
Pattern projection	No
Pattern size	N/A
Camera flicker control/Hz range	1,200 Hz (default) and 25,000 Hz (via RDM)
Notes	The ColorSource CYC has a built in accessory for spill control

Control

Input method	DMX-512 via 5-pin XLR connector
Protocols	DMX
Modes (Footprint)	5 channel- IRGBS (5) Direct- IRGBLS (7) 1 channel- I (1) RGB- RGB (3)
RDM configuration	Yes
UI type	7-segment address display
Local control	Yes
Onboard presets	Yes (12)
Onboard sequences	Yes (5)
Onboard effects	No
Fixture-to-fixture control	Yes
Notes	Local level control via UI

***Note about LED luminaire lifetime:**

ETC utilizes a nationally recognized third-party lab for luminaire testing according to IES LM-84. See etconnect.com/About/News/ETC-Fixture-Ratings-and-Warranties-Extended.aspx.

All LED sources experience some lessening of light output and some color shift over time. LED output will vary with thermal conditions. In individual situations, LEDs will be used for different durations and levels. This can eventually lead to minor alterations in color performance, necessitating slight adjustments to presets, cues or programs.

Electrical

Voltage range	100–230 VAC, 50/60 Hz
Input method	powerCON in and thru
Inrush	39 A (first half-cycle) at 120 V 74 A (first half-cycle) at 230 V
Fixtures per circuit*	9 using power thru connector (or 10 per 20 A switched circuit, R20 module or similar)
Wattage Typical/ Standby	133 W / 1.4 W at 120 V 116 W / 1.2 W at 230 V
Current draw	1.11 A at 120 V 0.59 A at 230 V

*Note: All measurements are for 120 V, 60 Hz. Results may vary in different regions.

Thermal

Ambient operating temp	0°–40° C (32°–104° F)
Fan (controllable)	No (N/A)
Droop compensation	Yes
dB range	18.5 dBA average at 1 m
BTUs/hour	453

Physical

Materials	Die-cast aluminum and plastic
Color options	Black, white, silver or custom color
Mounting options	Yoke and floor
IP rating	IP20
Weight	10.3 lb (4.67 kg)
Included accessories	Hanging yoke, power cable
Notes	See accessories list for power cable options

Warranty

Fixture	5 years
LED array	10 years

Regulatory and Compliance

Approved regulatory standards	cETLus to UL 1573 CSA C22.2 No. 166 CE Compliant EAC Compliant
-------------------------------	---

PRODUCT FEATURES



UNIQUE 5-COLOR ARRAY
ColorSource CYC uses a unique blend of red, green, blue, indigo and lime LEDs.



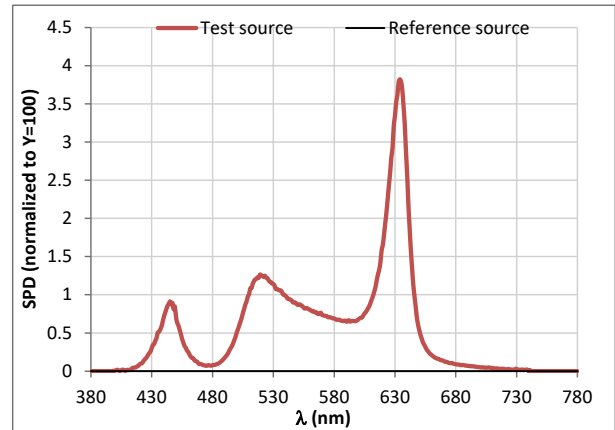
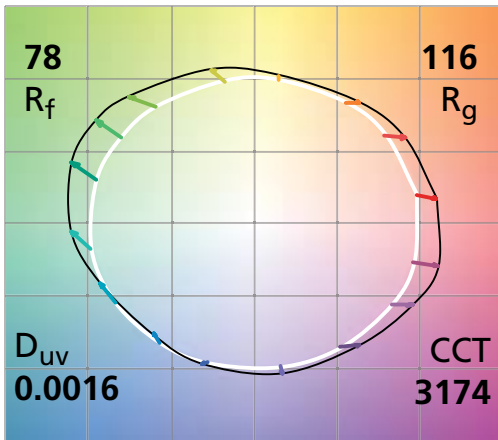
COMPACT DESIGN
The ColorSource CYC was designed to fit onto even the tightest of stages.



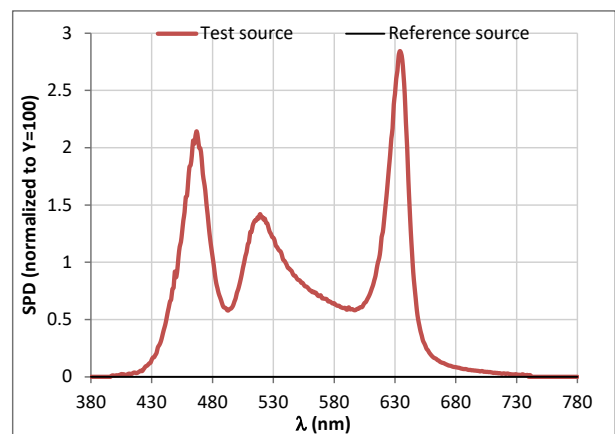
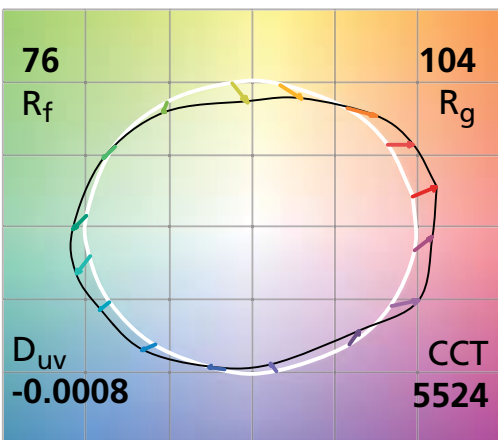
FAN-FREE
No fan means a quieter stage.

COLOR METRIC INFORMATION

TM-30-15 3200 K - COLORSOURCE CYC



TM-30-15 5600 K - COLORSOURCE CYC



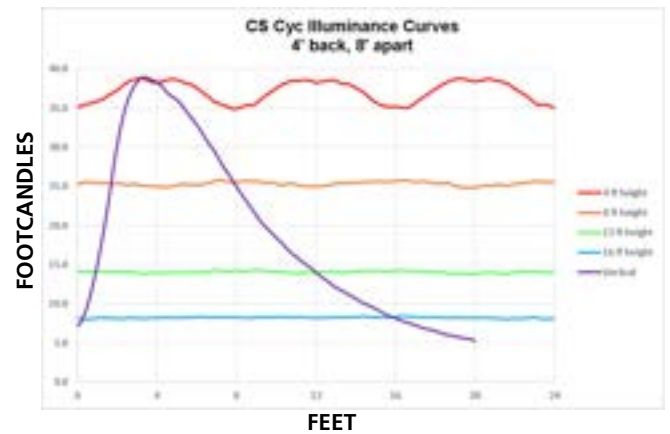
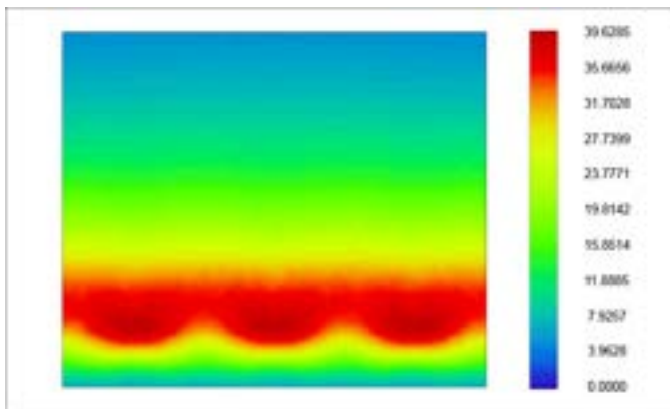
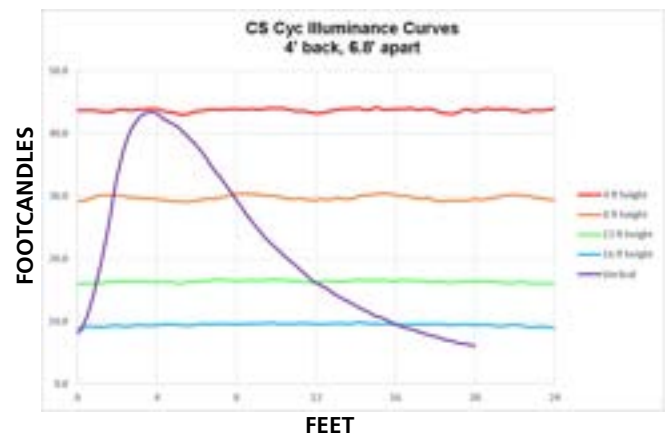
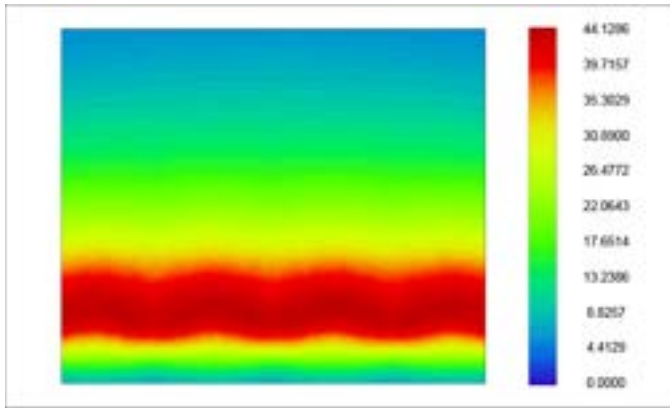
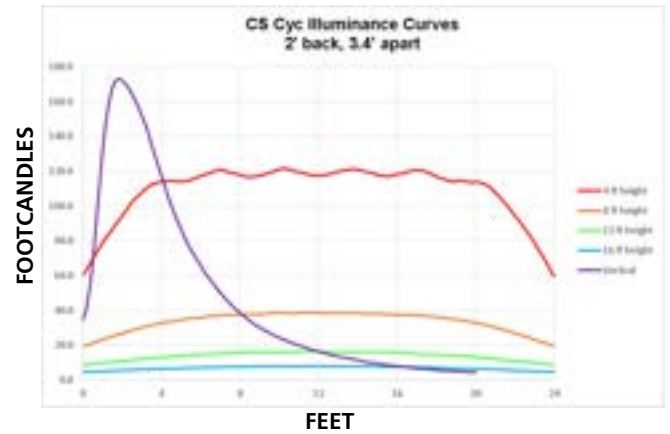
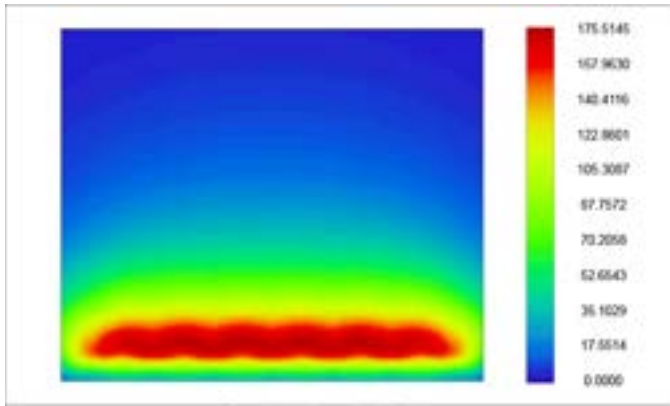
COLOR METRIC INFORMATION

Additional Color Metrics

	CS CYC 3200 K	CS CYC 5600 K
CRI R _a (R _g)	72 (2)	72 (-42)
TLCI	52	68

PHOTOMETRICS

Numerical values represent footcandles.



ADDITIONAL ORDERING INFORMATION

Accessories

MODEL	DESCRIPTION	PART NUMBER	
400SC	Safety cable	7060A1022	
400CC	C-Clamp	7060A2009 (not CE)	
DPA-A	1.5 m / 5 ft powerCON to parallel blade U-ground (Edison) connector	7410B7037-A (not CE)	
DPA-B	1.5 m / 5 ft powerCON to 20 A two-pin and ground (stage-pin) connector	7410B7037-B (not CE)	
DPA-C	1.5 m / 5 ft powerCON to grounded 20 A twistlock connector	7410B7037-C (not CE)	
DPA-X	1.5 m / 5 ft powerCON to bare-end power input lead	7410B7037-X (not CE)	
DPJ-5	1.5 m / 5 ft powerCON to powerCON fixture to fixture jumper	7410B7020	
DPJ-10	10 ft powerCON to powerCON fixture to fixture jumper	7410B7010	

PHYSICAL

ColorSource CYC Dimensions

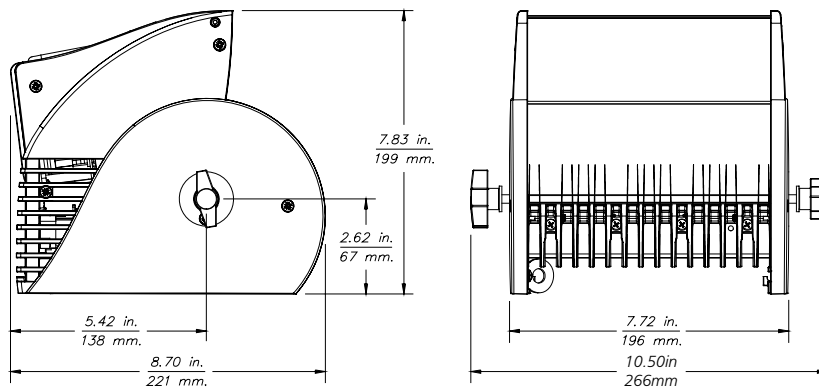
MODEL	HEIGHT		WIDTH		DEPTH	
	in	mm	in	mm	in	mm
ColorSource CYC (Floor)	7.83	199	10.5	266	8.70	221
ColorSource CYC (Hang)	11.97	304	10.5	266	8.70	221

ColorSource CYC Weights

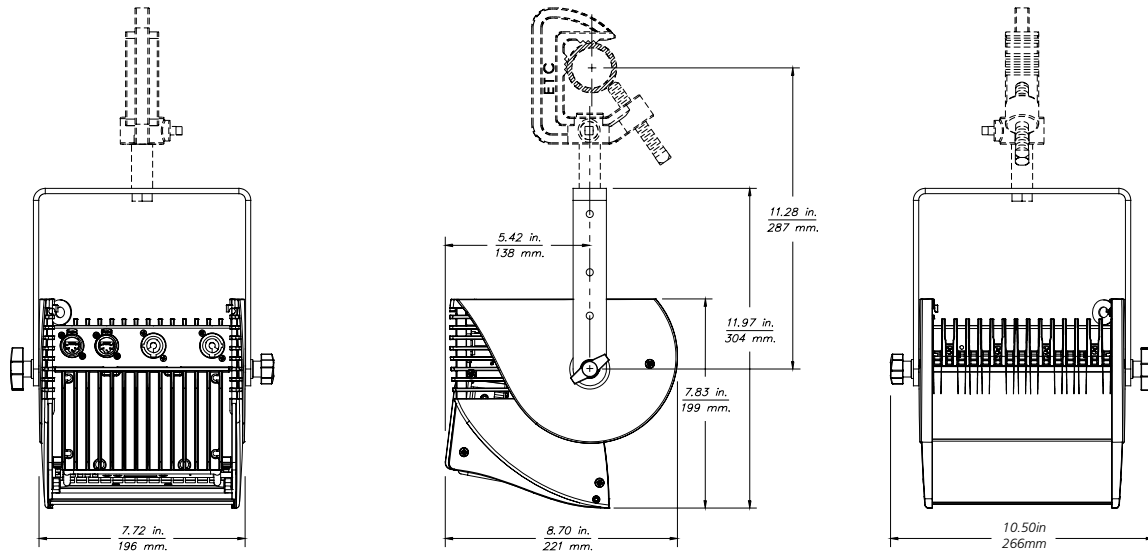
MODEL	WEIGHT*		SHIPPING WEIGHT	
	lb	kg	lb	kg
ColorSource CYC	10.3	4.67	12.9	5.85

*Without mounting hardware

FLOOR



HANG



Corporate Headquarters • Middleton, WI USA
 Global Offices • London, UK • Rome, IT • Holzkirchen, DE • Paris, FR • Hong Kong
 Dubai, UAE • Singapore • New York, NY • Orlando, FL • Los Angeles, CA • Austin, TX
 Copyright©2022 ETC. All Rights Reserved. All product information and specifications subject to change. Rev J 2022-08
 *Trademark and patent info: etconnect.com/IE