



# PCBR Series



5 Holt Drive  
 Stony Point, NY 10980  
 845-947-3034  
 info@tqlight.com

The PCBR Series uses the Bridgelux Thrive™ LED which closely matches the spectra of natural light over the visible wavelength range. Thrive™ brings full spectrum natural light indoors, ideal for plant life at all growth stages, and incorporates circadian elements that may impact human well-being. The high fidelity spectral output of Thrive™ creates stunning environments with excellent color rendering and outstanding TM30 metrics. The PCBR Series is available in standard black, white, or silver finishes. Custom colors are available upon request.

Manufactured in the USA - IBEW



## Electrical

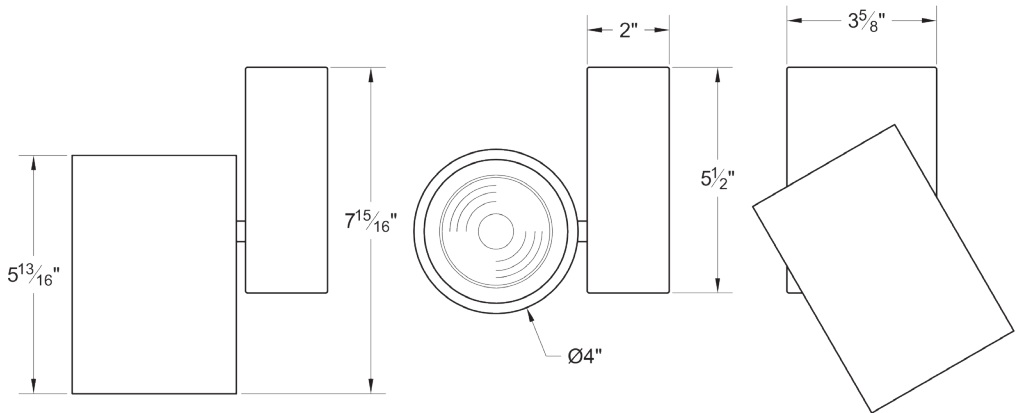
- Integral electronic driver
- 100-277V, 50/60Hz
- Meets FCC 47 CFR Part 15/18 Requirements

## Construction

- Steel & aluminum housing with black, white or silver finish
- Accepts up to 3 accessories
- Weight: 3 lbs.

## LED

- Engineered spectrum to closely match natural light
- PBRI>95, R1-R15>90, high Rf and Rg values
- High efficacy full spectrum solution
- No violet chip augmentation
- Hot color targeted
- Full consistent spectrum with few spectral spikes
- Natural and vivid color rendering



| Model  | CRI | Total Wattage | Delivered Lumens | Efficacy (Lm/W) |
|--------|-----|---------------|------------------|-----------------|
| PCBR9  | 95  | 6.4           | 900              | 141             |
| PCBR12 | 95  | 9             | 1200             | 133             |
| PCBR15 | 95  | 11.4          | 1500             | 132             |
| PCBR18 | 95  | 15            | 1800             | 120             |
| PCBR20 | 95  | 15.8          | 2000             | 127             |
| PCBR25 | 95  | 23.4          | 2500             | 107             |
| PCBR27 | 95  | 25            | 2700             | 108             |
| PCBR30 | 95  | 30            | 3000             | 100             |

\* Total wattage equals LED plus driver. Delivered lumen may vary depending on LED module, color temperature, optics, and accessories. Testing done with 4000K LED array.

## Ordering Matrix

| Model | Lumens   | CRI | Color Temp | Finish  | Voltage           | Optics                           | Mounting             | Dimming †  | Accessories           |
|-------|--|-----|------------|---|-------------------|----------------------------------|----------------------|--|-----------------------|
| PCBR  | 9 = 900<br>12 = 1200<br>15 = 1500<br>18 = 1800<br>20 = 2000<br>25 = 2500<br>27 = 2700<br>30 = 3000 | 95  | 40 = 4000K | B = Black<br>W = White<br>S = Silver<br>CC = Custom Color | 120<br>240<br>277 | 20 = 20°<br>40 = 40°<br>60 = 60° | See Mounting Options | TE = Trailing Edge***<br>LE = Leading Edge‡<br>010 = 0-10V<br>ND = Non-Dimming<br>IP = Integral Pot*** | See Accessory Options |

Maximum ambient temperature: 35°C  
 Maximum operating angle: 45° from vertical

\*\*\* 277V TE & IP Dimming available 1500 & 2700 lumen only.

† See "Notes on Dimming" on reverse  
 ‡ 120V Only

Example: PCBR15-9540-W-120-20-ADI-TE-LV22

PCBR- - - - -

\* Specification sheets are subject to change without notice.

## Photometric Data

| Distance | 20° Spot Reflector |  | Footcandles |        |        |        |        |        |        |
|----------|--------------------|--|-------------|--------|--------|--------|--------|--------|--------|
|          | Beam Spread        |  | PCBR9       | PCBR12 | PCBR15 | PCBR18 | PCBR20 | PCBR25 | PCBR30 |
| 5'       | 1.7'               |  | 126         | 170    | 220    | 241    | 268    | 344    | 440    |
| 10'      | 3.5'               |  | 31          | 43     | 55     | 60     | 67     | 86     | 110    |
| 15'      | 5.3'               |  | 14          | 19     | 24     | 27     | 30     | 38     | 49     |
| 20'      | 7.1'               |  | 8           | 11     | 14     | 15     | 17     | 22     | 28     |
| 25'      | 8.8'               |  | 5           | 7      | 9      | 10     | 11     | 14     | 18     |
| 30'      | 10.6'              |  | -           | 6      | 6      | 7      | 7      | 10     | 12     |

| Distance | 40° Medium Flood Reflector |  | Footcandles |        |        |        |        |        |        |
|----------|----------------------------|--|-------------|--------|--------|--------|--------|--------|--------|
|          | Beam Spread                |  | PCBR9       | PCBR12 | PCBR15 | PCBR18 | PCBR20 | PCBR25 | PCBR30 |
| 5'       | 3.6'                       |  | 74          | 100    | 130    | 144    | 160    | 204    | 260    |
| 10'      | 7.3'                       |  | 19          | 25     | 33     | 36     | 40     | 51     | 65     |
| 15'      | 10.9'                      |  | 8           | 11     | 15     | 16     | 18     | 23     | 29     |
| 20'      | 14.6'                      |  | 5           | 6      | 8      | 9      | 10     | 13     | 16     |
| 25'      | 18.2'                      |  | -           | -      | 5      | 6      | 6      | 8      | 10     |
| 30'      | 22.2'                      |  | -           | -      | -      | -      | -      | 6      | 7      |

| Distance | 60° Medium Flood Reflector |  | Footcandles |        |        |        |        |        |        |
|----------|----------------------------|--|-------------|--------|--------|--------|--------|--------|--------|
|          | Beam Spread                |  | PCBR9       | PCBR12 | PCBR15 | PCBR18 | PCBR20 | PCBR25 | PCBR30 |
| 5'       | 5.7'                       |  | 39          | 54     | 70     | 85     | 97     | 128    | 148    |
| 10'      | 11.6'                      |  | 10          | 14     | 18     | 21     | 24     | 32     | 37     |
| 15'      | 17.3'                      |  | 5           | 6      | 8      | 9      | 11     | 14     | 16     |
| 20'      | 23.1'                      |  | -           | 5      | 5      | 5      | 6      | 8      | 9      |
| 25'      | 28.9'                      |  | -           | -      | -      | -      | 5      | 5      | 6      |
| 30'      | 35.2'                      |  | -           | -      | -      | -      | -      | -      | -      |

## Mounting Options

**DT2** 2-circuit track adapter for SpecTrack databus. 120V.

**HDT2** Track adapter for SpecTrack 2-Circuit data track. 277V.

**ADI** Track adapter for commercial grade 1-circuit track. Good for use with small, lightweight fixtures.

**TA1** Track adapter for E-Series specification grade track. 1 circuit. 120V.

**TA2** Track adapter for G-Series specification grade 2-circuit track. 120V.

**HTA2** Track adapter for G-Series specification grade 2-circuit track. 277V.

**TA3** Track adapter for G-Series specification grade 3-circuit track. 120V.

**CM4** Canopy Mount

**US1** 6 $\frac{5}{8}$ " x 1 $\frac{1}{2}$ " Unitrut Adapter

**TB8** 8" x 8" Portable table base for floor and table use

**MC** Light duty pipe clamp for small fixtures. For pipes up to 1 $\frac{5}{16}$ " O.D.

**MN** Medium duty pipe clamp for small to large fixtures. For pipes up to 2" O.D.

**PC9M** Heavy duty pipe clamp for large, heavy fixtures. For pipes up to 2" O.D.

## Accessories

|                   |                           |
|-------------------|---------------------------|
| <b>BD20</b>       | Barndoor                  |
| <b>LV22</b>       | Full Size Louver          |
| <b>XL22</b>       | Full Size X Baffle Louver |
| <b>XH22</b>       | Full Size X Baffle Hood   |
| <b>HD22</b>       | Hood/Snoot                |
| <b>X00517</b>     | Accessory Holder          |
| <b>LV18*</b>      | Honeycomb Louver          |
| <b>OF22-9101*</b> | Smoothing Frost Filter    |
| <b>CC18</b>       | Coil Cord Option          |
| <b>SC024</b>      | Safety Cable              |

\* X00517 Required

## Extension Wands

|              |               |
|--------------|---------------|
| <b>SP 12</b> | 12" Stem      |
| <b>SP 18</b> | 18" Stem      |
| <b>SP 24</b> | 24" Stem      |
| <b>SP X</b>  | Custom Length |