



Celeste 250

2300 Full Spectrum RGBWL LED House Light



5 Holt Drive
Stony Point, NY 10980
845-947-3034
www.tslight.com

The Celeste 250 provides powerful illumination for a variety of house and area lighting applications. Crisp whites with a high CRI, plus subtle pastels and powerful pure colors with 16-bit dimming, allow for a wide range of smooth illumination and dynamic effects for any environment. At up to 11,000 lumens, the Celeste 250 is ideal for large areas and high-ceiling applications yet is compact enough to be adaptable to smaller spaces. It is convection cooled for absolute silence and has no fans or other moving parts for a long maintenance free product life.

Pendant and optional yoke or recessed ceiling options provide flexibility when finding the ideal mounting position and a variety of lens choices (45° included, 25°,

40°, 50 or 100° optional) allow for precise light distribution. Industry standard power and DMX connections, plus included terminal block connections for power, emergency battery input and 0-10V control, support multiple permanent or temporary install requirements with a single product design.

Size / Weight

- **Length:** 12.5" (318mm)
- **Diameter:** 7.8" (197mm)
- **Weight:** 15.8lbs. (7.2 kg)

Source

- 230W 5-in-1 RGBWL (Red, Green, Blue, White, LimeLED Array)
- 50,000 Hour Average LED Life*

***Test lab conditions. May vary depending on several factors including but not limited to:**

Environmental Conditions, Power/Voltage, Usage Patterns (On-Off Cycling), Control, and Dimming.

Photometric Data

- 11,000 Total Lumen Fixture Output
- CRI 90 @ 3,200K
- 45° Lens Included

Effects

- Variable CCT 2400K - 8500K
- Virtual Color Swatch Book
- Dimmer, Dimmer Color, RGBWL, RGBWL 16-Bit, Standard, Extended, HSI & HSI Extended Control Options
- Variable 16-bit Dimming Curves
- High Speed Electronic Shutter and Strobe
- DMX and Menu adjustable LED Refresh Rate Frequency

Electrical / Thermal

- AC 100-240V - 50/60Hz
- Max Power Consumption 230W
- 14°F to 113°F (-10°C to 45°C)

Approvals / Rating

- CE | cETLus (pending) | IP20 | FCC

Features

- Full Spectrum 230W 5in1 LED Array
- 2400 - 8500K Color Temperature
- CRI 90 @ 3,200K
- 11,000 Total Lumen Fixture Output
- 45° Lens Included
- Optional 25°, 40°, 50° and 100° Lenses Available
- Compact Fanless Design
- DMX, RDM, 0-10V and E-FLY Wireless Support
- 48V Emergency Battery Input
- Bare Wire Block Terminal Connections (connectors included)
- Pendant Bracket (included)
- Optional Yoke or Recessed Ceiling Mount Kits Available
- Optional Half and Full Snoot Kits Available

Control

- 8 DMX Channel Modes
- Standalone and Primary, Secondary Modes
- RDM (Remote Device Management)
- 0-10V Dimming (Current-Sink)
- E-FLY™ Internal Extended Range Wireless DMX Transceiver
- 4 Button Control Panel and OLED Menu Display

Mounting Options

- **TSLCMK** Ceiling Mount Kit
- **TSLYMK** Yoke Mount Kit

Finish

- **B** Black
- **W** White

Optics

- **TSL25** 25° Lens
- **TSL40** 40° Lens
- **TSL50** 50° Lens
- **TSL100** 100° Lens

Accessories

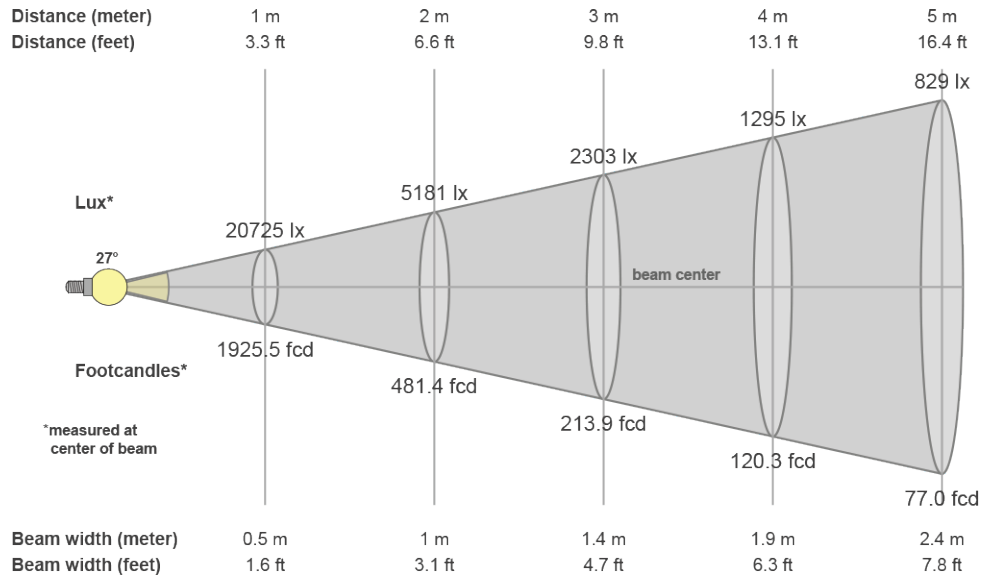
- **TSLHS** Half Snoot
- **TSLFS** Full Snoot

Connectors

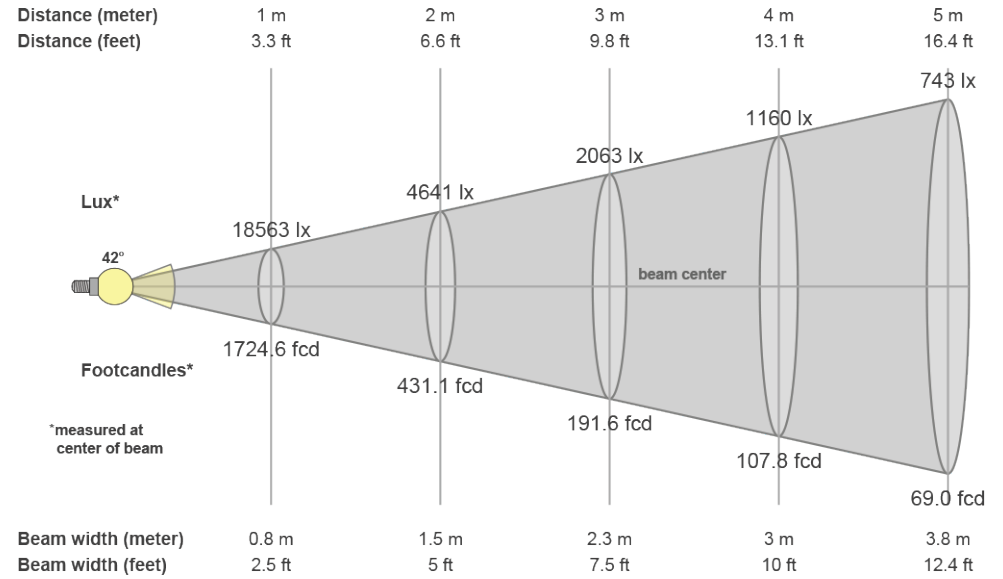
- Locking 5pin XLR Connector In/Out
- Locking IP65 Power Connector In
- 3pin Wire Terminal Block (12-24 AWG (4.0 - 0.25 mm²))
- 5pin Wire Terminal Block for 0-10V, DMX (24AWG / 0.25 mm²)
- 2pin Wire Terminal Block for 48V Emergency Battery Input (24AWG / 0.25 mm²)

Photometric Data

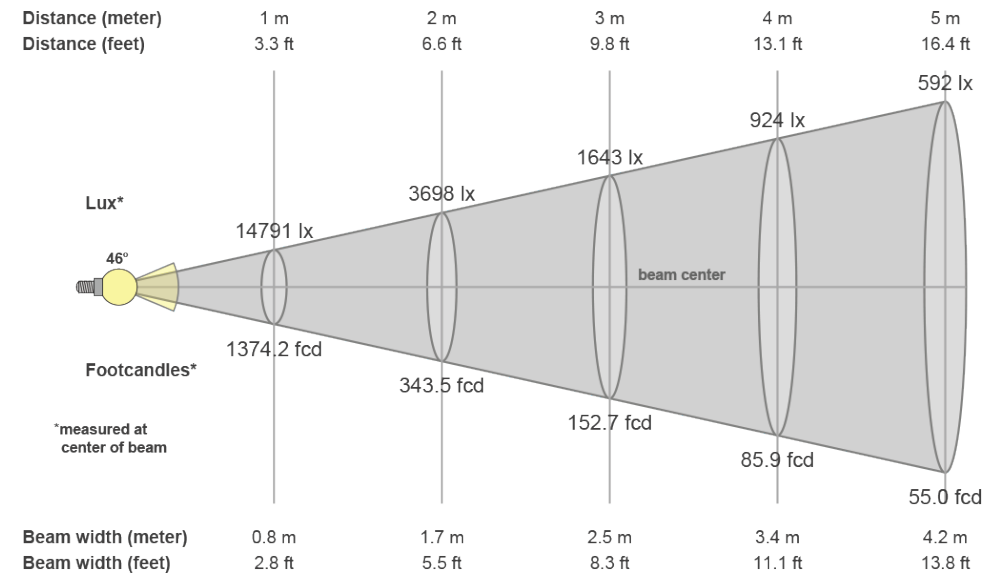
25° DEGREE



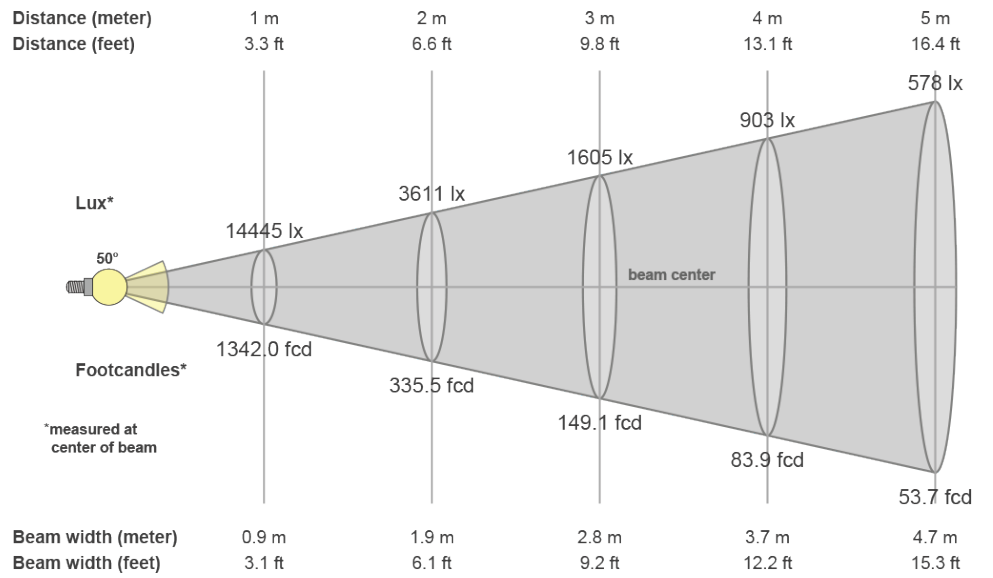
40° DEGREE



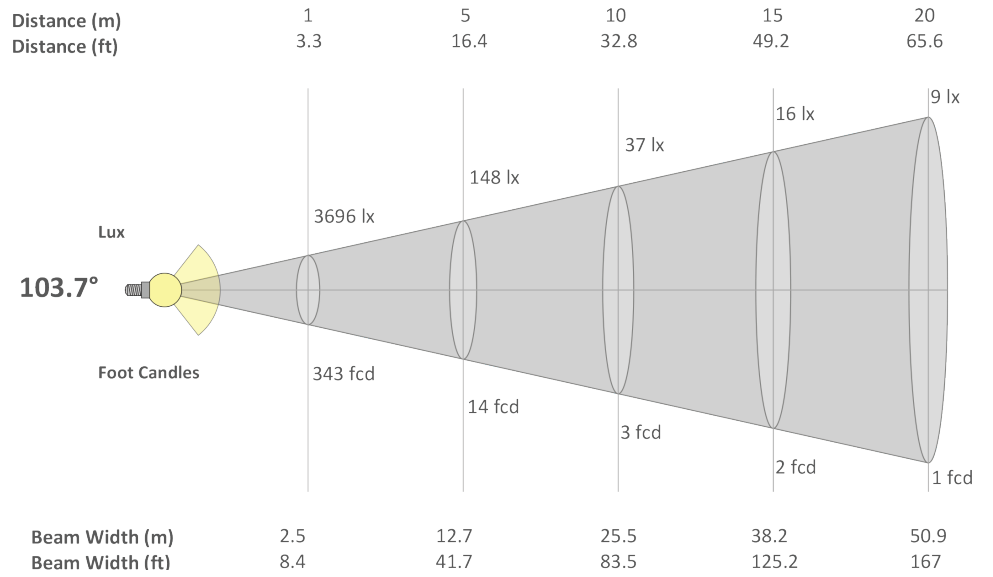
45° DEGREE



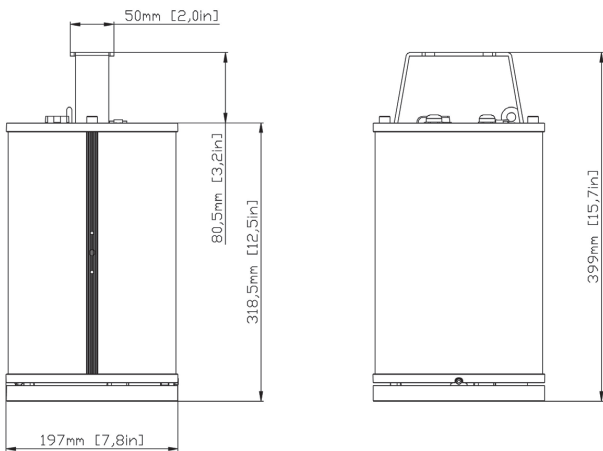
50° DEGREE



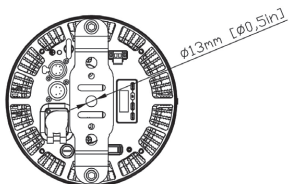
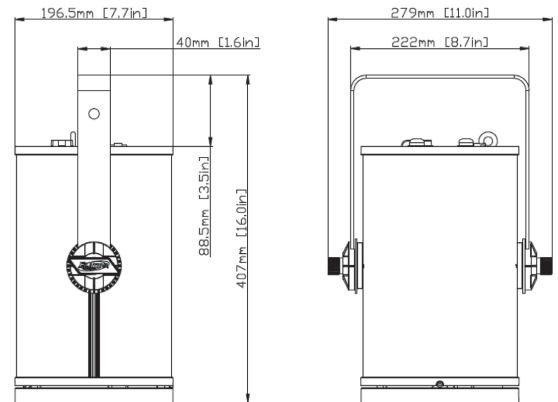
100° DEGREE



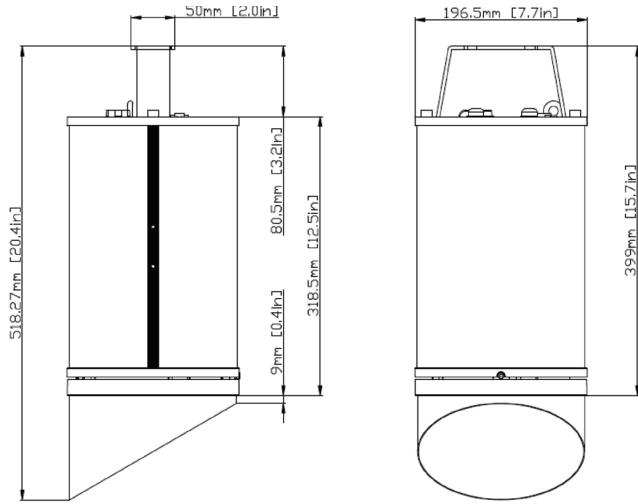
Dimensional Drawing (Pendant Bracket Attached)



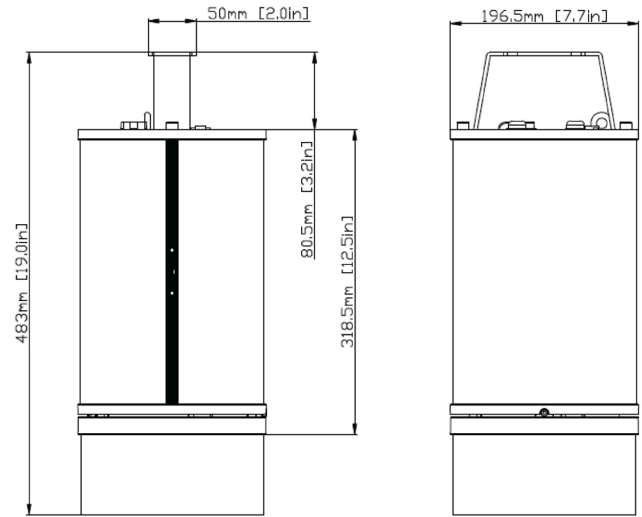
Dimensional Drawing (Yoke Bracket Attached)



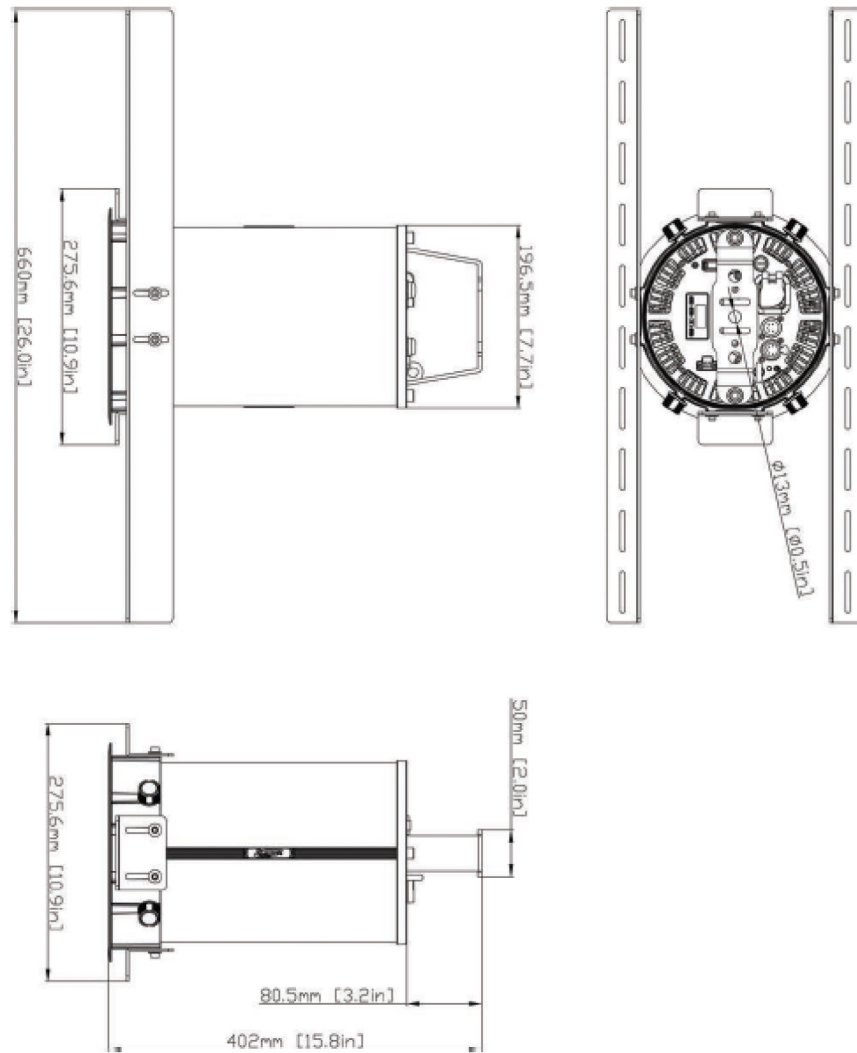
Dimensional Drawing (Half Snoot Attached)



Dimensional Drawing (Full Snoot Attached)



Dimensional Drawing (Recessed Ceiling Kit)



EXAMPLE: CEL250- RGBWL-B-TSL25-TSLCMK-TSLFS

MODEL	ARRAY	FINISH	OPTICS	MOUNTING	ACCESSORIES
CEL250	RGBWL				