

MOSAIC BELL



5 Holt Drive
Stony Point, NY 10980
845-947-3034
www.tslight.com

Color Mixing - Tunable White

The Mosaic Bell features tunable color with a high CRI output. It also features tunable white from 1800K - 6500K. Rich blues, ambers, reds, violets and greens can be added in gradients or can completely saturate the output of the light. Interchangeable reflectors allow beam angles between 10° and 60°. This fixture is perfect for retail applications such as car dealerships and clothing stores but is equally well suited for illuminating artwork or using it in an archtainment setting.

- 2000 Lumen Output
- 5 DMX Channels
- **Color Tuning:** RGB+ Intensity+ CCT
- **Tunable range:** 1800K-6500K tunable white
- 84 - 95 CRI
- Dimmable from 100 - 0.1% at constant CCT
- <2 MacAdam ellipse over 50,000 hour life
- Casambi Available

Manufactured in the USA - IBEW



Power

- **Power Consumption:** 31W
- **Max. Operating Temp:** 104°F (40°C) ambient
- 90 - 305 VAC, 50/60 Hz
- Do not install on a circuit containing a dimmer.
- DMX Addressing is RDM-only.

Optics

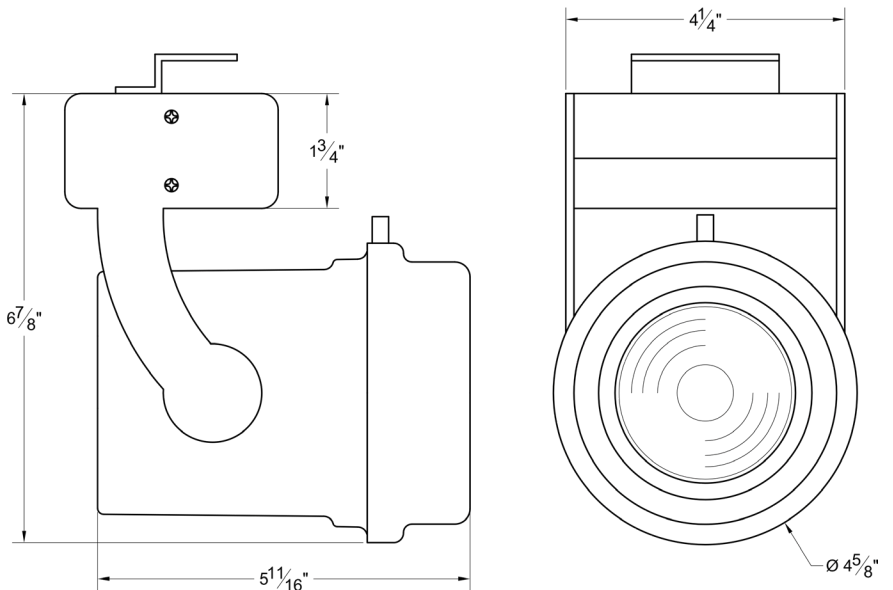
- 10°, 20°, 40° or 60° field-changeable reflectors

Weight

- **Weight:** 3 lbs.

Emitter 5-Year Warranty

The warranty on the LED Emitter used in this Times Square Lighting product shall have a five year warranty from the date of purchase.



Ordering Matrix

Model	Finish	Optics	Mounting	Dimming*
CTH23	B - Black W - White S - Silver CC - Custom Color	10 = 10° 20 = 20° 40 = 40° 60 = 60°	See Mounting Options	DX = DMX / RDM CS = Casambi Wireless

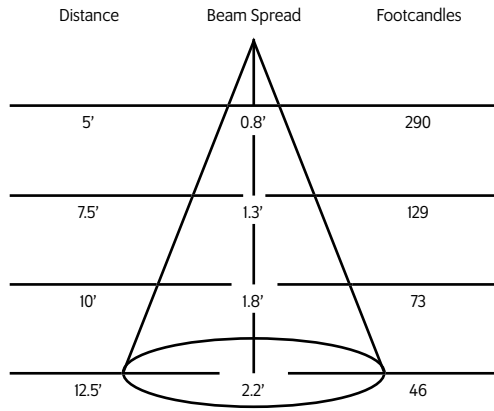
Example: CTH23-B-60-DT2-DX

CTH23 - _____ - _____ - _____ - _____

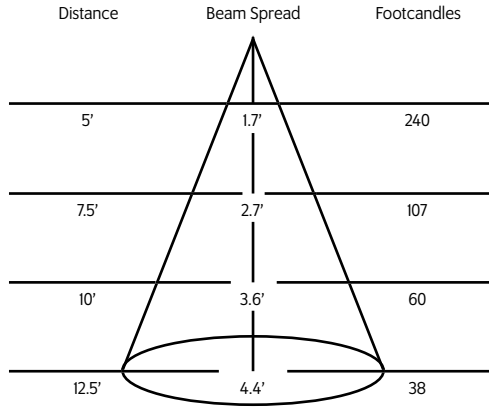
* Specification sheets are subject to change without notice.

Photometric Data 4000° K 95CRI

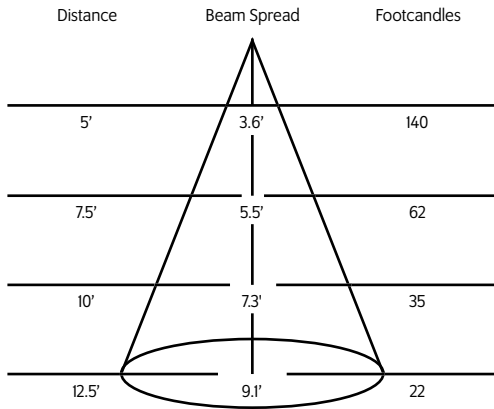
10° Spot Reflector



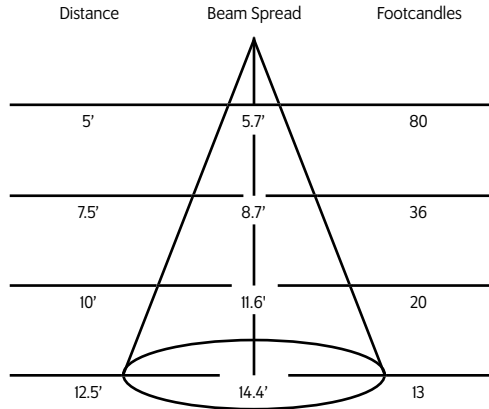
20° Spot Reflector



40° Medium Flood Reflector



60° Flood Reflector



Calibrated CCT Specs:

CCT [K]	Typical CRI
1800 (min)	90
2700	93
3000	95
3500	95
4000	93
6500 (max)	84

Mounting Options

DT2 2-circuit track adapter for SpecTrac databus, 120V.

HDT2 2-circuit track adapter for SpecTrac databus, 277V.

DXTC Canopy mount with terminal block for DMX.

GAC Track adapter for 120V global pulse track.

CM4 Canopy mount (Casambi Wireless only).

US1 6 $\frac{5}{8}$ " x 1 $\frac{1}{2}$ " Unistrut Adapter (Casambi Wireless only).

TB8 8" x 8" Portable table base for floor and table use (Casambi Wireless only).

MC Light duty pipe clamp for small fixtures. For pipes up to 1 5/16" O.D. (Casambi Wireless only).

MN Medium duty pipe clamp for small to large fixtures. For pipes up to 2" O.D. (Casambi Wireless only).

PC9M Heavy duty pipe clamp for large, heavy fixtures. For pipes up to 2" O.D. (Casambi Wireless only).

* Contact factory for wiring details.

Accessories

LV6	Louwer
XL6	Cross Baffle Louwer
BD10	Barndoor
HD6	Hood
XH6	Cross Baffle Hood
SH6	Sparkle Hood
GF22-600*	5°x50° Linear Lens
GF22-601*	Beam Softener
GF22-673*	50° x 50° Spread Lens
X00517	Accessory Holder
LV18*	Honeycomb Louwer
CC18	Coiled Cord
SC-24	Safety Cable
WL	Wrench Locking

* X00517 Required, not compatible with 10° reflector option.

Extension Wands

SP12	12" Stem
SP18	18" Stem
SP24	24" Stem
SPX	Custom Length

* For notes on dimming, please [click here](#).