

# ACRL

## CEILING OR WALL MOUNTED LINEAR SPOTLIGHT

MANUFACTURED IN THE UNITED STATES - IBEW



PRODUCT LISTED BY A NATIONALLY RECOGNIZED TESTING LABORATORY



Available in 1-light to 4-light linear configurations, the ACRL vertically or horizontally mounts to any standard 5" outlet box, offering a clean, architectural solution for accent and display lighting applications. Each adjustable spotlight provides precise aiming and smooth, consistent output, making it ideal for highlighting artwork, merchandise, and focal points within retail, gallery, and hospitality environments. Each head can be fitted with up to three accessories, including barn doors, louvers and lenses.

- Color Temperature Options: 2700K, 3000K, 3500K, 4000K, 5000K, 5700K, 6500K
- CRI: 80 standard or 92 optional
- Lumen Maintenance: 90% of initial lumen output at 33,000 hours on LM-80 testing
- No UV or IR
- Aluminum Construction
- Surface Mount to standard 5" outlet box.

MODEL	DESCRIPTION
ACRL-1	1-Light Linear (12")
ACRL-2	2-Light Linear (21")
ACRL-3	3-Light Linear (30")
ACRL-4	4-Light Linear (39")

### ELECTRICAL

LUMENS PER HEAD	CRI	WATTAGE*	EFFICACY (LM/W)
900	80 / 92	6.37 / 6.4	143 / 141
1100	80 / 92	7.7 / 8.4	143 / 131
1300	80 / 92	8.4 / 9.5	155 / 137
1500	80 / 92	9.7 / 11.4	155 / 132
1800	80 / 92	11.4 / 14	158 / 128
2000	80 / 92	13.2 / 15.8	152 / 127

\* Total wattage equals LED plus driver. Delivered lumen may vary depending on LED module, color temperature, optics, and accessories. Testing done with 3000K LED array.

# ACRL

## CEILING OR WALL MOUNTED LINEAR SPOTLIGHT

MANUFACTURED IN THE UNITED STATES - IBEW



PRODUCT LISTED  
BY A NATIONALLY  
RECOGNIZED  
TESTING  
LABORATORY

### ELECTRICAL CONTINUED...

- Integral electronic driver(s)
- 100-277V, 50/60Hz
- Meets FCC 47 CFR Part 15/18 Requirements

### CONSTRUCTION

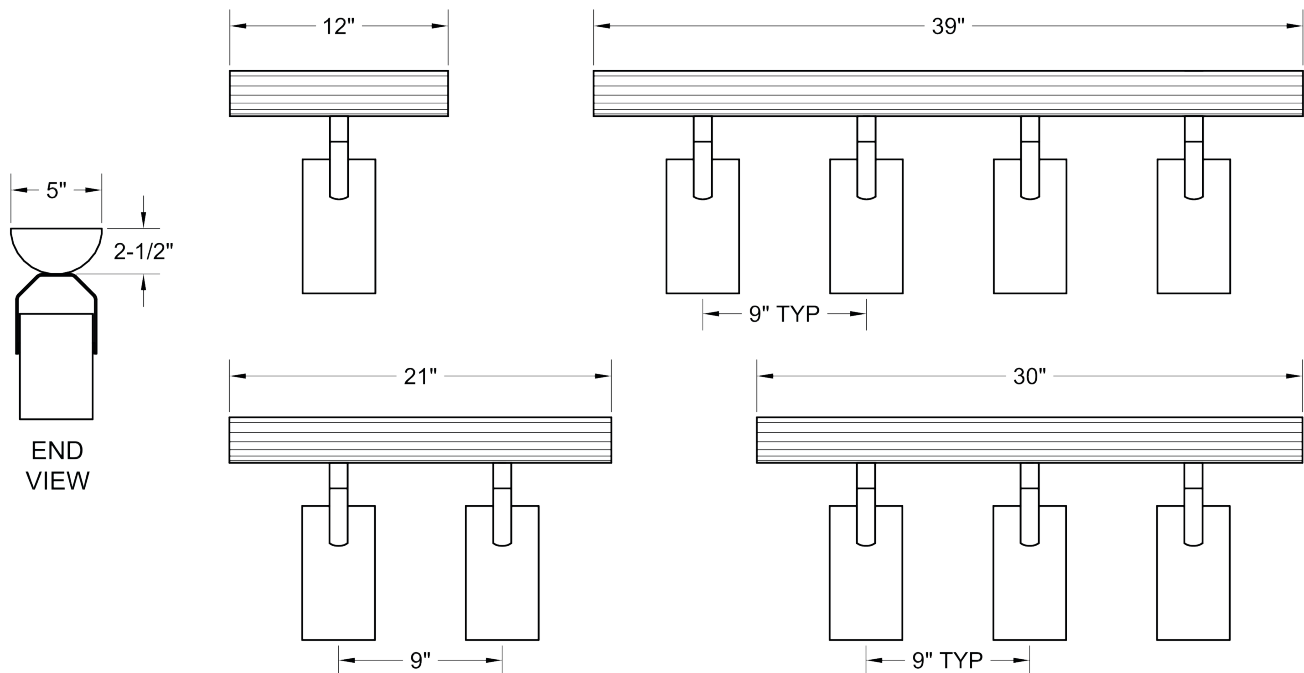
- Aluminum housing with black, white or silver finish
- Accepts up to 3 accessories
- **Weight:** Single (4 lbs.) Double (8 lbs.) Triple (12 lbs.) Quad (16 lbs.)

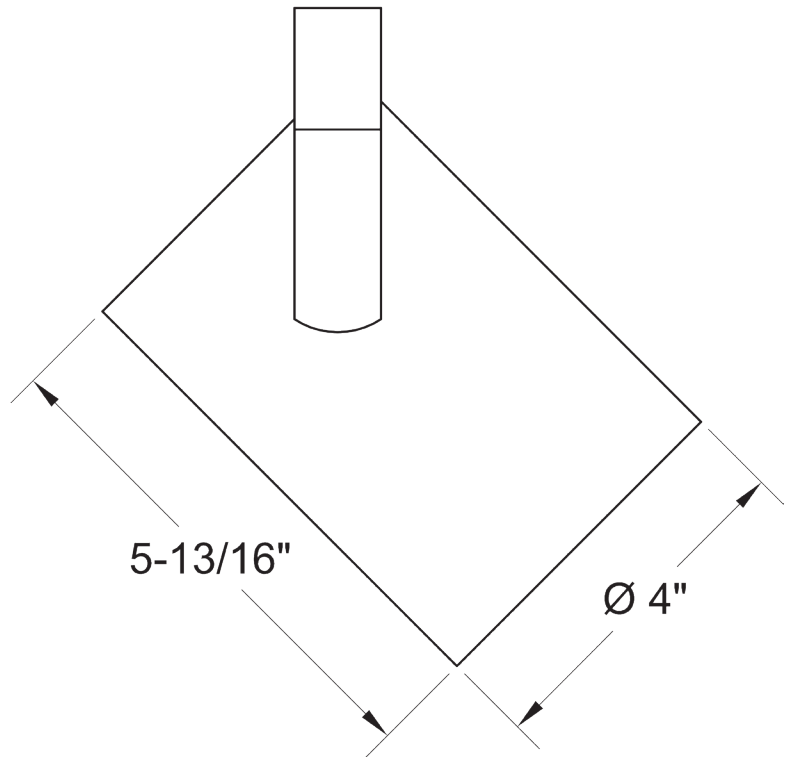
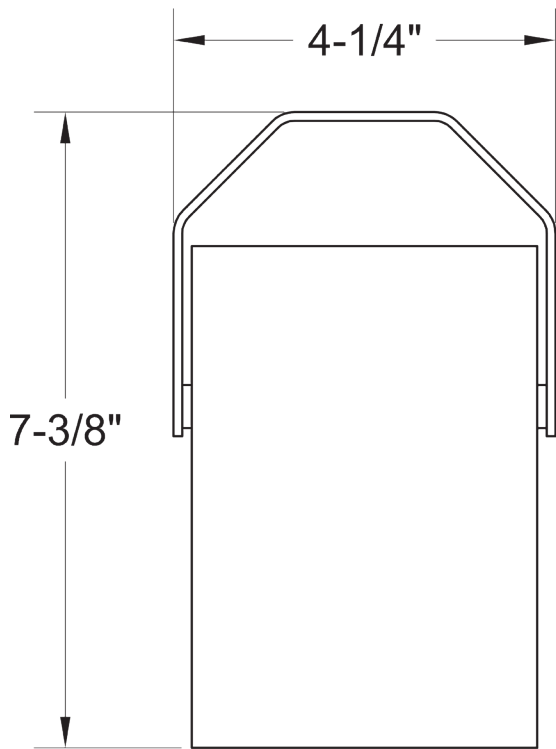
### OPTICS | 12°, 25°, 40°, and 60° Field-Changeable Reflectors

CBCP:	ACR9	ACR11	ACR13	ACR15	ACR18	ACR20
12°	6500	8000	9800	11500	12600	14000
25°	3100	3875	4780	5500	6030	6700
40°	1850	2275	2825	3250	3600	4000
60°	980	1230	1525	1750	2100	2425

Testing done at 3000K, 80 CRI.

**NOTE:** These canopies are NOT intended for DMX/RDM controlled fixtures.





# ACRL

## CEILING OR WALL MOUNTED LINEAR SPOTLIGHT

MANUFACTURED IN THE UNITED STATES - IBEW



PRODUCT LISTED  
BY A NATIONALLY  
RECOGNIZED  
TESTING  
LABORATORY

### ACCESSORIES

BD20	Barndoor
LV22	Full Size Louver
XL22	Full Size X Baffle Louver
XH22	Full Size X Baffle Hood
HD22	Hood/Snoot
X00517	Accessory Holder
LV18*	Honeycomb Louver
FX22-26*	Red Filter
FX22-80*	Blue Filter
FX22-64*	Light Blue Filter
FX22-90*	Green Filter
FX22-21*	Amber Filter
FX22-10*	Yellow Filter
FX22-33*	Pink Filter
OF22-9101*	Smoothing Frost Filter
OF22-0S20*	20° Beam Softener
OF22-1060*	Linear Spread 10 x 60 Degree
OF22-0S30*	Beam Soft Filter
OF22-0S40*	40/60 Degree Diffusion

\* X00517 Required. Wide Range of Colors Available

### NOTES ON DIMMING

Visit [tslight.com/resources](https://tslight.com/resources) or scan the QR Code.



**SPECIFY:**

MODEL		LUMENS PER HEAD	CRI
<b>ACRL-1</b> = 1-Light Linear <b>ACRL-2</b> = 2-Light Linear <b>ACRL-3</b> = 3-Light Linear <b>ACRL-4</b> = 4-Light Linear		9 = 900 11 = 1100 13 = 1300 15 = 1500 18 = 1800 20 = 2000	80 92
COLOR TEMPERATURE	FINISH	VOLTAGE	OPTICS
27 = 2700K 30 = 3000K 35 = 3500K 40 = 4000K 50 = 5000K	B = Black W = White S = Silver CC = Custom Color	100 †† 120 240 277	12 = 12° 25 = 25° 40 = 40° 60 = 60° ZO = 14° - 40° Zoom Optics
DIMMING †		ACCESSORIES	
TE = Trailing Edge * LE = Leading Edge ** 010 = 0-10V ND = Non-Dimming DALI = DALI AWN = Lutron Athena Wireless Node		See Accessory Options for Ordering Codes	

Maximum Ambient Temperature: 35°C  
 Maximum Operating Angle: 45° from vertical

\* 277V TE Dimming Available on 1800 Lumen, 80 CRI and 1500 Lumen, 92 CRI only.  
 \*\* 120V Only

† See "Notes on Dimming"  
 †† Non-Dim or 0-10V Dimming Only

**ORDERING INFORMATION**

PROJECT:	
LOCATION:	
QUANTITY:	
CONTACT:	
PHONE:	
EMAIL:	

**EXAMPLE:** ACRL-4-20-8030-B-120-40-TE-BD20

MODEL	LUMENS	CRI	COLOR TEMPERATURE	FINISH	VOLTAGE	OPTICS	DIMMING	ACCESSORIES