



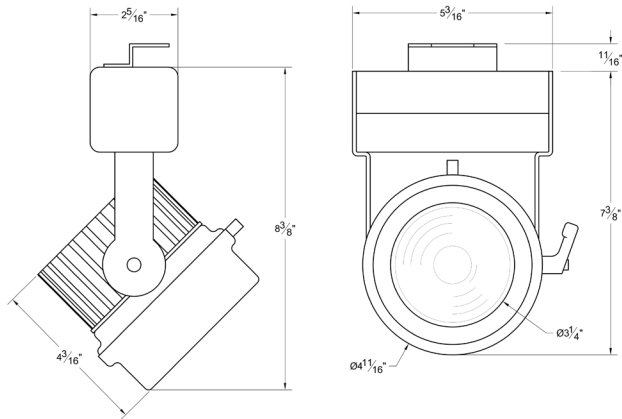
# JCR Series

## Track Light



5 Holt Drive,  
Stony Point, NY 10980  
845-947-3034  
info@tslight.com

The JCR is suited for short to medium throws. This power saving fixture can produce up to 175 lumens per watt. It features passive cooling, a long-life LED, and 1% dimming. Multiple mounting options, accessories, and dimming types are available.



Manufactured in the USA - IBEW



### Electrical

- Integral electronic driver
- 120-277V, 50/60Hz
- Meets FCC 47 CFR Part 15/18 Requirements

### Construction

- Steel & aluminum housing with black, white or silver finish
- Weight: 2 lbs. 10 oz.

### Dimming

- 1% dim for all 120V options.
- Trailing edge (ELV): 120V / 277V
- Leading edge (Triac): 120V only
- 0-10V: Canopy, STA, STA1 or HSTA mounting options only.
- Lutron ecosystem premier driver available, featuring dimming to 0.1% and soft on/soft off incandescent like dimming. Only available on fixtures 20 watts or less (canopy mount only).

CRI	Lumens	Watts	Lumens per Watt
80	1000	5.7	175
80	2000	11.6	172
80	2800	16.4	171
80	3700	23	161
80	4200	28	143
92	800	5.7	140
92	1600	11.6	138
92	2200	16.4	134
92	3000	23	130
92	3500	28	117

### Ordering Matrix

Model	Lumens	CRI	Color Temp	Finish
JCR	8 = 800* 10 = 1000** 16 = 1600* 20 = 2000** 22 = 2200* 28 = 2800** 30 = 3000* 35 = 3500* 37 = 3700**	80 92	27 = 2700K 30 = 3000K 35 = 3500K 40 = 4000K 57 = 5700K**	B = Black W = White S = Silver CC = Custom Color
Voltage	Optics	Mounting	Dimming †	Accessories
120 240 277	20 = 20° 40 = 40° 48 = 48° 64 = 64°	See Mounting Options	TE = Trailing Edge*** LE = Leading Edge (120V Only) 010 = 0-10V ECP = Ecosystem premier 0.1% dim	See Accessory Options

Maximum ambient temperature: 35°C      \* 92 CRI Only    \*\* 80 CRI Only  
Maximum operating angle: 45° from vertical    \*\*\* Not available with 800, 1000, 3500 or 4200 lumen fixtures @ 277V

† See "Notes on Dimming"

Example: JCR16-9230-B-120-40-CM4-TE

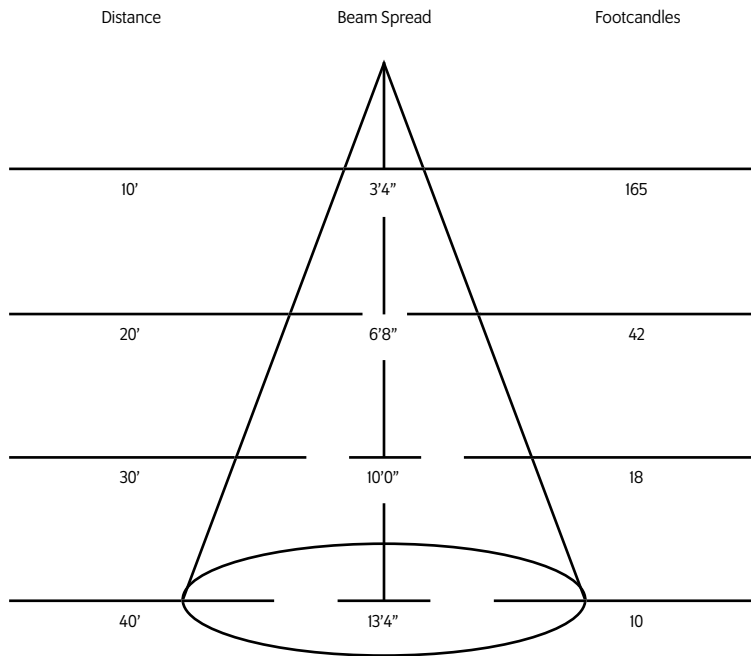
JCR- \_\_\_\_\_ - \_\_\_\_\_ - \_\_\_\_\_ - \_\_\_\_\_ - \_\_\_\_\_ - \_\_\_\_\_ - \_\_\_\_\_ - \_\_\_\_\_

\* Specification sheets are subject to change without notice.

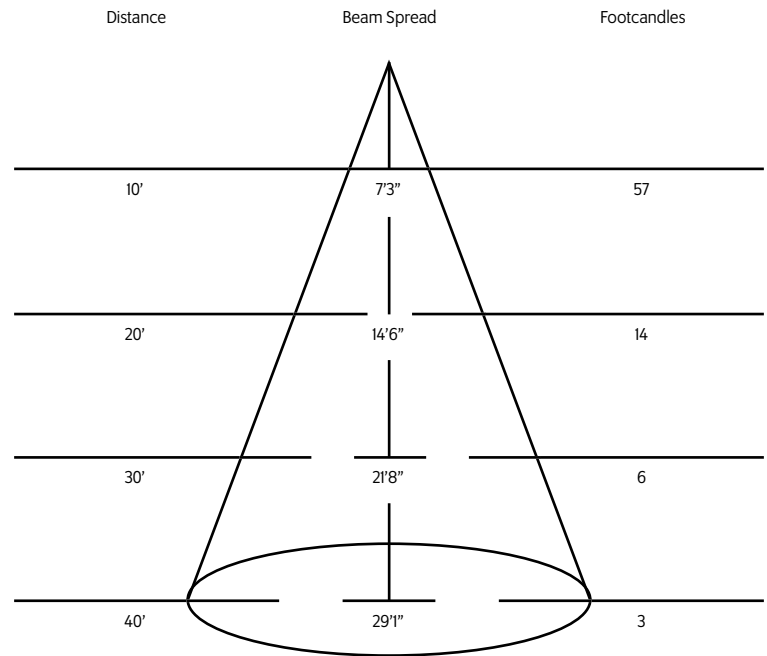
## Photometric Data

Results for 4,200 Lumen Output. For other Lumen outputs, use the other lumen output multipliers chart.

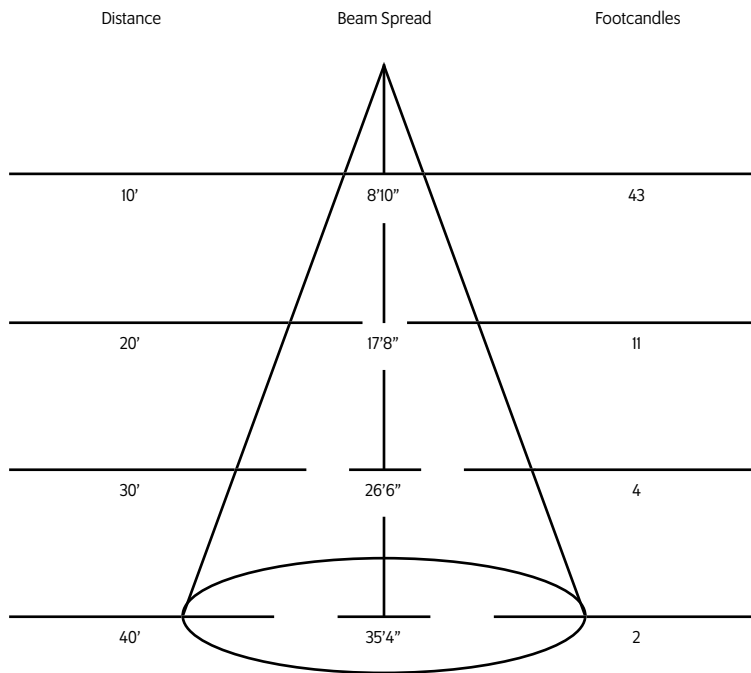
### 20° Spot Reflector



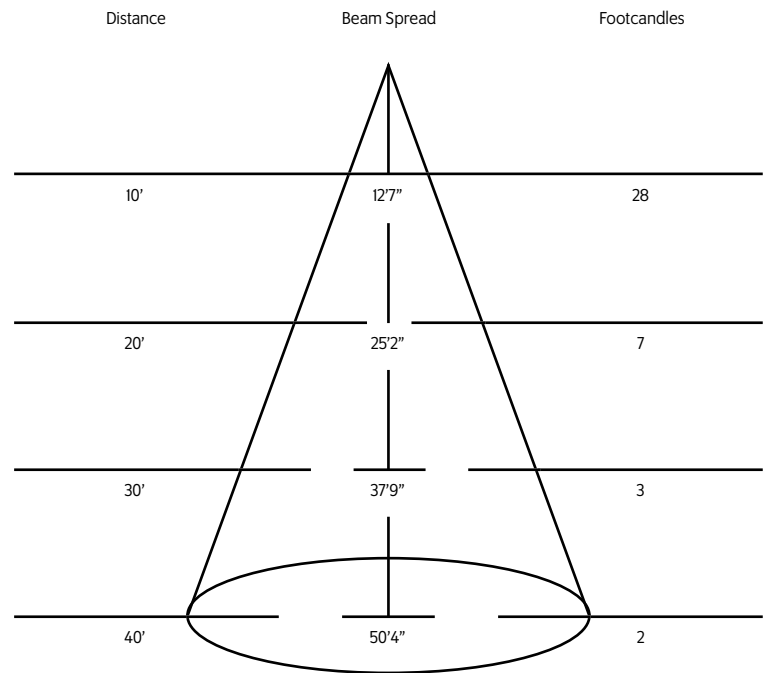
### 40° Spot Reflector



### 48° Spot Reflector



### 64° Spot Reflector



## Other Lumen Output Multipliers

FOR 80 CRI LUMEN OUTPUT	FOOTCANDLES
1000	.24
2000	.48
2800	.67
3700	.88

FOR 90 CRI LUMEN OUTPUT	FOOTCANDLES
800	.19
1600	.38
2200	.52
3000	.71
3500	.83

## Mounting Options

---

**ADI** Track Adapter for commercial grade 1-circuit track. 120V. For use with lightweight fixtures.

**TAI** Track adapter for E-Series specification grade track. 1 circuit. 120V.

**TA2** Track adapter for G-Series specification grade 2-circuit track. 120V.

**HTA2** Track adapter for G-Series specification grade 2-circuit track. 277V.

**STAI** 1 circuit track adapter for Data Bus. Specification grade track. 120V.

**STA** 2 circuit track adapter for Data Bus. Specification grade track. 120V.

**DT2** Track adapter for SpecTrack 2-Circuit data track. 120V.

**HDT2** Track adapter for SpecTrack 2-Circuit data track. 277V.

**HSTA** 2 circuit track adapter for Data Bus. Specification grade track. 277V.

**TA3** Track adapter for G-Series specification grade 3-circuit track. 120V.

**CM4** Canopy Mount

**USI** 6 $\frac{5}{8}$ " x 1 $\frac{1}{2}$ " Unitrut Adapter

**TB4** 4" x 4" Portable table base for floor and table use

**MC** Light duty pipe clamp for small fixtures. For pipes up to 1 5/16" O.D.

**MN** Medium duty pipe clamp for small to large fixtures. For pipes up to 2" O.D.

## Accessories

---

<b>LV6</b>	Louwer
<b>XL6</b>	Cross Baffle Louwer
<b>BD10</b>	Barndoor
<b>HD6</b>	Hood
<b>XH6</b>	Cross Baffle Hood
<b>SH6</b>	Sparkle Hood
<b>CF10</b>	Color Frame
<b>GF10</b>	Glass Color Filter
<b>DF10</b>	Dichroic Color Filter
<b>GF10-600</b>	5°x50° Linear Lens
<b>GF10-601</b>	Beam Softener
<b>GF10-673</b>	50°x50° Spread Lens
<b>GF10-702</b>	UV Blocking Filter
<b>CC18</b>	Coiled Cord
<b>SC-24</b>	Safety Cable
<b>IP</b>	Integral Dimmer
<b>WL</b>	Wrench Locking

## Extension Wands

---

<b>SP12</b>	12" Stem
<b>SP18</b>	18" Stem
<b>SP24</b>	24" Stem
<b>SPX</b>	Custom Length



---

\* For notes on dimming, please [click here](#).