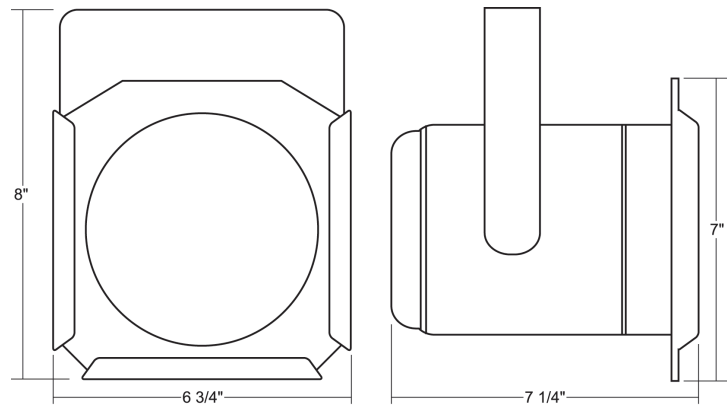




The F38 is ideal for short throw lighting in clubs, tents, retail and residential applications. Equipped with an internal self-locking yoke and accessory holder that accepts louvers, barndoors, hoods and filters. Comes in standard black, white and silver finishes.

FEATURES

- Accepts PAR38 lamps and LEDs.
- Internal self-locking yoke.
- Numerous mounting options and accessories.
- Weight: 1.4 lbs.



MODEL NUMBER	FINISH	MOUNTING	ACCESSORIES
F38	B Black W White S Silver CC Custom Color	AD1 Track Adapter. 1 Circuit. 120V. TA1 Track Adapter. E-Series. 1 Circuit. 120V. TA2 Track Adapter. G-Series. 2 Circuit. 120V. TA3 Track Adapter. G-Series. 3 Circuit. 120V. CM4 Canopy Mount. US1 6 5/8" x 1 1/2" Unistrut Adapter. TB4 6 1/4" Portable Wall Mount/Table Base Floor. MC Light Duty Pipe Clamp. For pipes up to 15/16" O.D. MN Medium Duty Pipe Clamp. For pipes up to 2" O.D. PC9M Heavy duty pipe clamp for large, heavy fixtures. For pipes up to 2" O.D	LV13 Louver CF13 Color Frame GF13 Glass Color Filter DF13 Dichroic Color Filter GF13-600 50°x50° Linear Lens GF13-601 Beam Softener GF13-673 50°x50° Spread Lens GF13-702 UV Blocking Filter CC18 Coiled Cord SC Safety Cable IP Integral Dimmer

EXAMPLE: F38 - B - TA2 - LV13

MODEL NUMBER	FINISH	MOUNTING	ACCESSORIES
F38			