

LED9P

9W LED PROJECTOR 960 LUMENS

MANUFACTURED IN THE UNITED STATES - IBEW



PRODUCT LISTED
BY A NATIONALLY
RECOGNIZED
TESTING
LABORATORY



The LED9P is a compact pattern projector that produces intense, sharp or soft edged beams of light. Utilizing an energy efficient LED source, this unit features a unique zoom focusing system that creates various spreads within the same fixture housing.

Built-in pattern slots make this unit capable of projecting stock and custom, steel or glass patterns. Available in black, white and silver finishes. Custom colors available by request and at an additional charge.

FEATURES

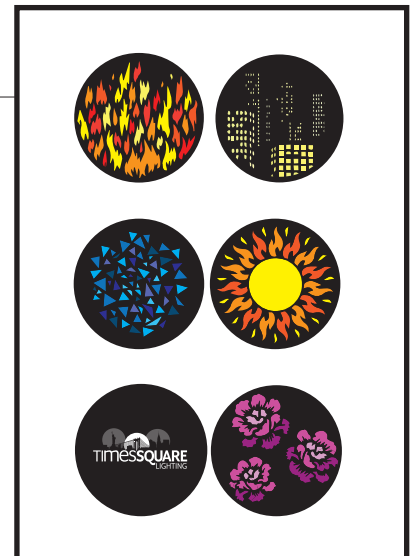
- 10.8W, 960 Lumens
- Long life LED source
- 4-way adjustable framing shutters
- Zoom lens system
- Built-in pattern slot
- Fully dimmable
- Stock or custom, glass or steel patterns
- Numerous mounting options and accessories
- Weight: 3.6 lbs

FINISH

B	Black
W	White
S	Silver
CC	Custom Color

PATTERNS

For standard and custom patterns, see the pattern specification sheet. QR Code is provided below.

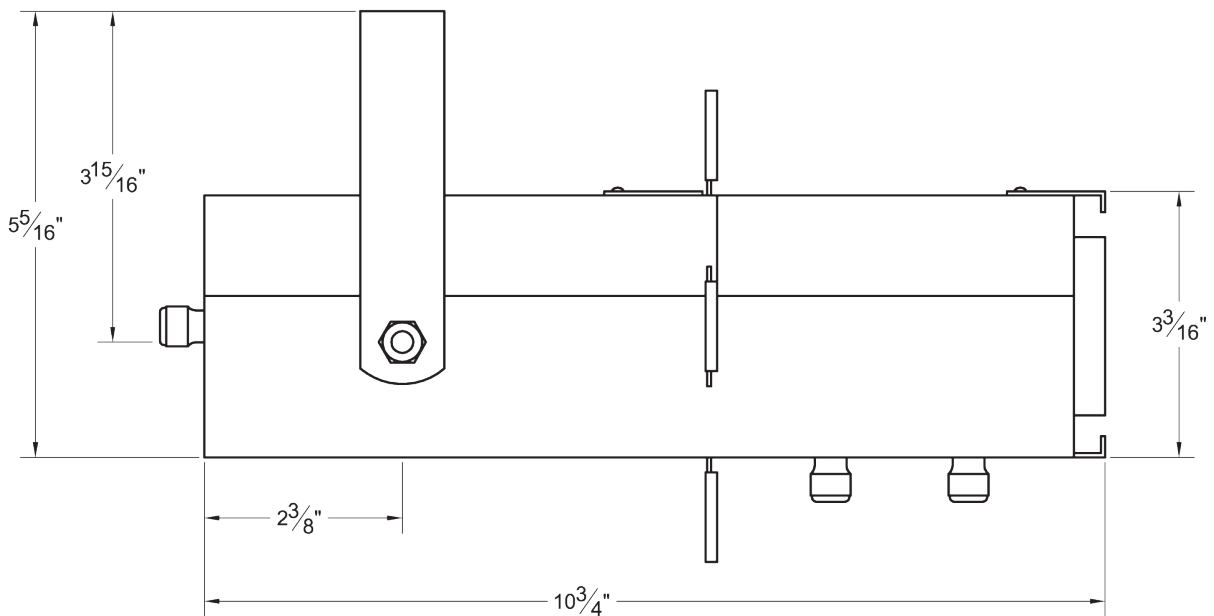
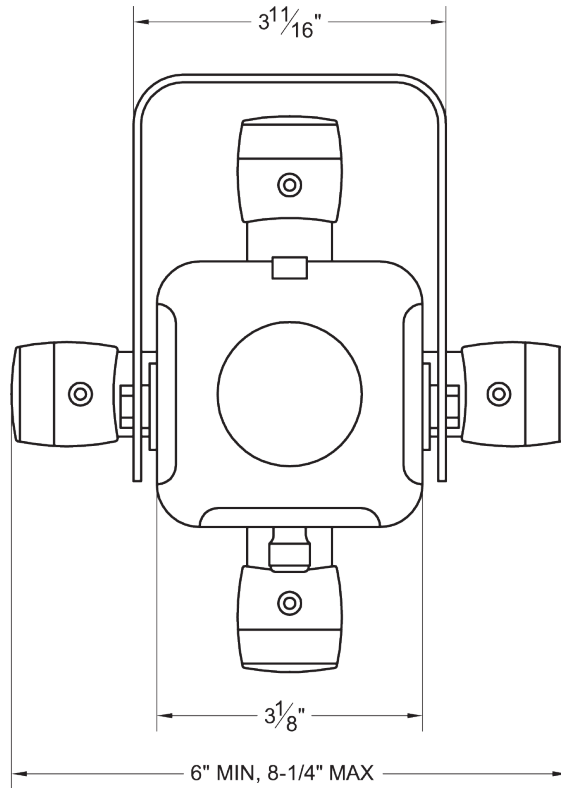


LED9P

9W LED PROJECTOR 960 LUMENS

MANUFACTURED IN THE UNITED STATES - IBEW

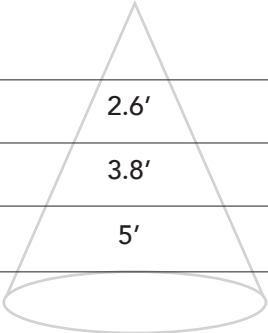
PRODUCT LISTED
BY A NATIONALLY
RECOGNIZED
TESTING
LABORATORY



PHOTOMETRIC DATA

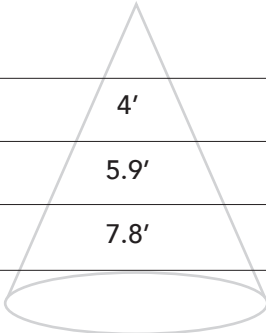
30° Degree Setting

Distance	Beam Spread	Footcandles
5'	2.6'	34
7.5'	3.8'	15
10'	5'	9



45° Degree Setting

Distance	Beam Spread	Footcandles
5'	4'	19
7.5'	5.9'	8
10'	7.8'	5



LED9P

9W LED PROJECTOR 960 LUMENS

MANUFACTURED IN THE UNITED STATES - IBEW

PRODUCT LISTED
BY A NATIONALLY
RECOGNIZED
TESTING
LABORATORY



MOUNTING OPTIONS

AD1 Track Adapter for commercial grade 1-circuit track. 120V. For use with lightweight fixtures.

DT2 Track adapter for SpecTrack 2-Circuit data track. 120V.

TA2 Track adapter for G-Series specification grade 2-circuit track. 120V

TA3 Track adapter for G-Series specification grade 3-circuit track. 120V.

CM4 Canopy mount.

US1 6 5/8" x 1 1/2" Unistrut adapter.

TB4 6 1/4" Portable wall mount/table base floor, wall or table use.

MC Light duty pipe clamp for small fixtures. For pipes up to 1 5/16" O.D.

MN Medium duty pipe clamp for small to large fixtures. For pipes up to 2" O.D.

PC9M Heavy duty pipe clamp for large, heavy fixtures. For pipes up to 2" O.D.

EXTENSION WANDS

SP 12	12" Stem
SP 18	18" Stem
SP 24	24" Stem
SP X	Custom Length

ACCESSORIES

PH6	Pattern Holder
PDE	Pattern Donut
SPE	Stock Pattern Steel
CPE	Custom Pattern Steel
GPE	Custom Pattern Glass Black and White
GPE2	Custom Pattern Glass 2-Color
GPE4	Custom Pattern Glass 4-Color
CF4	Color Frame
GF4	Glass Color Filter
DF4	Dichroic Color Filter
CC18	Coiled Cord
2I	Iris

NOTES ON DIMMING

Visit tslight.com/resources or scan the QR Code.



SPECIFY:

MODEL	FINISH	CRI
LED9P	B = Black W = White S = Silver CC = Custom Color	90 = 90 CRI 95 = 95 CRI
COLOR TEMPERATURE	MOUNTING	ACCESSORIES
27 = 2700K 30 = 3000K	See Mounting Options For Ordering Codes	See Accessory Options for Ordering Codes

ORDERING INFORMATION

PROJECT:	
LOCATION:	
QUANTITY:	
CONTACT:	
PHONE:	
EMAIL:	

EXAMPLE: LED9P-B-90-27-MN-PH6

MODEL	LUMENS	CRI	COLOR TEMPERATURE	FINISH	VOLTAGE
LED9P					