



46CR Series

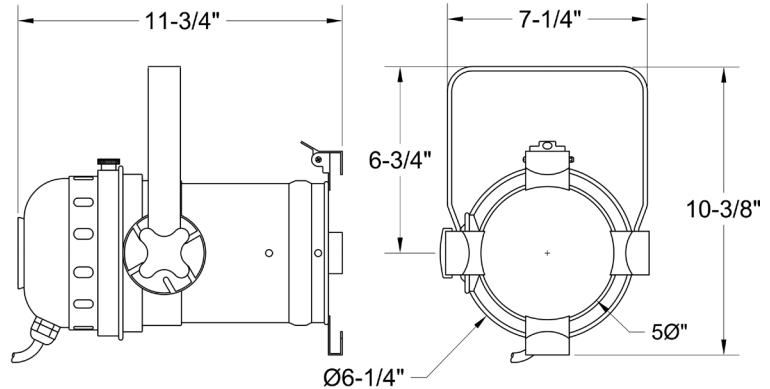
CREE LED



5 Holt Drive
Stony Point, NY 10980
845-947-3034
www.tslight.com

The 46CR emphasizes efficiency and economy and boasts the highest lumens per watt rating of any Times Square Lighting fixture to date. It is designed for a short to medium throw applications. The 46CR can be fitted with up to three accessories, including barn doors, louvers and filters. This versatile fixture is available with a wide variety of mounting and dimming options, allowing for a huge range of customization possibilities.

The 46CR is available in standard black, white, or silver finishes. Custom colors are available upon request.



Manufactured in the USA - IBEW



Construction

- Steel & aluminum housing with black, white or silver finish
- Accepts up to 3 accessories
- Weight: 3.9 lbs.

Electrical

- Integral electronic driver
- 100-277V, 50/60Hz
- Meets FCC 47 CFR Part 15/18 Requirements

Dimming

- Trailing edge (ELV): 120V / 277V
- Leading edge (Triac): 120V only
- 0-10V: 120V only (DataTrack), 120-277V otherwise
- IP (Integral Pot) dimming available.

LED

- Cree XLamp LED array
- Color temp options: 2700K, 3000K, 3500K, 4000K, 5000K, 5700K, 6500K
- CRI: 80 standard or 92 optional
- Lumen maintenance: 90% of initial lumen output at 33,000 hours on LM-80 testing
- No UV or IR

Model	46CRI	Total Wattage*	Delivered Lumens	Efficacy (Lm/W)
46CR9	80 / 92	5.6 / 6.4	900 / 900	161 / 141
46CR12	80 / 92	7.7 / 9.0	1200 / 1200	156 / 133
46CR15	80 / 92	9.7 / 11.4	1500 / 1500	155 / 132
46CR18	80 / 92	11.4 / 15.0	1800 / 1800	158 / 120
46CR20	80 / 92	13.3 / 15.8	2000 / 2000	150 / 127
46CR25	80 / 92	18.0 / 23.4	2500 / 2500	139 / 107
46CR27	92	25.0	2700	108
46CR30	80 / 92	23.4 / 30	3000 / 3000	128 / 100
46CR35	80	30.0	3500	117

* Total wattage equals LED plus driver. Delivered lumen may vary depending on LED module, color temperature, optics, and accessories. Testing done with 3000K LED array.

Ordering Matrix

Model	Lumens	CRI	Color Temp	Finish	Voltage	Optics	Mounting	Dimming †	Accessories
46CR	9 =	80	27 =	B =	100††	20 = 20° 40 = 40° 60 = 60°	See Mounting Options	TE = Trailing Edge*** LE = Leading Edge† 010 = 0-10V ND = Non-Dimming IP = Integral Pot*** DMX = DMX Basic ECP = Ecosystem premier 0.1% dim	See Accessory Options
	900 / 900		2700K	Black	120				
	12 =	30 =	W =	240					
	1200 / 1200	3000K	White	277					
	15 =	35 =	S =						
	1500 / 1500	3500K	Silver						
	18 =	40 =	CC =						
	1800 / 1800	4000K	Custom Color						
	20 =	50 =							
	2000 / 2000	5000K							
	25 =	57 =							
	2500 / 2500	5700K**							
	27 = 2700*	65 =							
30 =	6500K**								
3000 / 3000									
35 = 3500**									

Maximum ambient temperature: 35°C

Maximum operating angle: 45° from vertical

* 92 CRI Only ** 80 CRI Only

*** 277V TE & IP Dimming available on 1800, 2500 & 3000 lumen, 80 CRI and 1500 & 2700 lumen, 92 CRI only.

† See "Notes on Dimming"

†† Non-Dim or 0-10V dimming only ‡ 120V Only

* Specification sheets are subject to change without notice.

Example: 46CR-80-27-B-120-20-ADI-TE-LV44

46CR - _____

Optics

- 20°, 40°, and 60° Field-changable reflectors

CBCP:	46CR9	46CR12	46CR15	46CR18	46CR20	46CR25	46CR30	46CR35
20°	3100	4250	5500	6030	6700	8600	11000	13900
40°	1850	2500	3250	3600	4000	5100	6500	7100
60°	980	1350	1750	2100	2425	3200	3700	4150

* Testing done at 3000K, 80 CRI.

Photometric Data

Distance	20° Spot Reflector Beam Spread	Footcandles							
		46CR9	46CR12	46CR15	46CR18	46CR20	46CR25	46CR30	46CR35
5'	1.7'	126	170	220	241	268	344	440	556
10'	3.5'	31	43	55	60	67	86	110	139
15'	5.3'	14	19	24	27	30	38	49	62
20'	7.1'	8	11	14	15	17	22	28	35
25'	8.8'	5	7	9	10	11	14	18	22
30'	10.6'	-	6	6	7	7	10	12	15

Distance	40° Medium Flood Reflector Beam Spread	Footcandles							
		46CR9	46CR12	46CR15	46CR18	46CR20	46CR25	46CR30	46CR35
5'	3.6'	74	100	130	144	160	204	260	284
10'	7.3'	19	25	33	36	40	51	65	71
15'	10.9'	8	11	15	16	18	23	29	32
20'	14.6'	5	6	8	9	10	13	16	18
25'	18.2'	-	-	5	6	6	8	10	11
30'	22.2'	-	-	-	-	-	6	7	8

Distance	60° Flood Reflector Beam Spread	Footcandles							
		46CR9	46CR12	46CR15	46CR18	46CR20	46CR25	46CR30	46CR35
5'	5.7'	39	54	70	85	97	128	148	166
10'	11.6'	10	14	18	21	24	32	37	42
15'	17.3'	5	6	8	9	11	14	16	18
20'	23.1'	-	5	5	5	6	8	9	10
25'	28.9'	-	-	-	-	5	5	6	7
30'	35.2'	-	-	-	-	-	-	-	5

Extension Wands

SP 12	12" Stem
SP 18	18" Stem
SP 24	24" Stem
SP X	Custom Length

Mounting Options

DT2 2-circuit track adapter for SpecTrack databus. 120V.

HDT2 Track adapter for SpecTrack 2-Circuit data track. 277V.

T1 Track Adapter for commercial grade 1 & 2 circuit track. 120V. For use with larger, heavier fixtures.

TA2 Track adapter for G-Series specification grade 2-circuit track. 120V.

HTA2 Track adapter for G-Series specification grade 2-circuit track. 277V.

TA3 Track adapter for G-Series specification grade 3-circuit track. 120V.

CM4 Canopy Mount

US1 6⁵/₈" x 1¹/₂" Unitnut Adapter

TB8 8" x 8" Portable table base for floor and table use

MN Medium duty pipe clamp for small to large fixtures. For pipes up to 2" O.D.

PC9C Heavy duty pipe clamp for large, heavy fixtures. For pipes up to 2" O.D.

Accessories

LV44	Louver
BD44	Barndoor
CF44	Color Frame
X00517	Glass/Dichroic Holder
FX22-26*	Red Filter
FX22-80*	Blue Filter
FX22-64*	Light Blue Filter
FX22-90*	Green Filter
FX22-21*	Amber Filter
FX22-33*	Pink Filter
OF22-9101*	Smoothing Frost Filter
OF22-0S20*	20° Beam Softener
OF22-1060*	Linear Spread 10 x 60 Degree
OF22-0S30*	Beam Soft Filter
OF22-0S40*	40/60 Degree Diffusion
DF44	Dichroic Color Filter
CC18	Coiled Cord
SC	Safety Cable

* X00517 Required

* For notes on dimming, please [click here](#).