



Manufactured in the USA - IBEW



Power

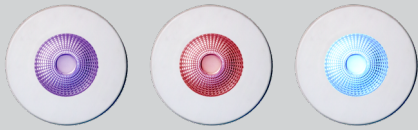
- **Power Consumption:** 31W
- **Max. Operating Temp:** 104°F (40°C) ambient
- 90 - 305 VAC, 50/60 Hz
- Do not install on a circuit containing a dimmer.
- DMX Addressing is RDM-only.

Optics

- 20°, 40° or 60° field-changeable reflectors

Weight

- **Weight:** 2 lbs.



Features

- Fixture is for remodel or new construction.
- ± 20 Aiming Angle.
- Fixture ships with RJ45 connectors and terminal blocks for data in/out.

Emitter 5-Year Warranty

The warranty on the LED Emitter used in this Times Square Lighting product shall have a five year warranty from the date of purchase.



* Specification sheets are subject to change without notice.

Recessed MOSAIC



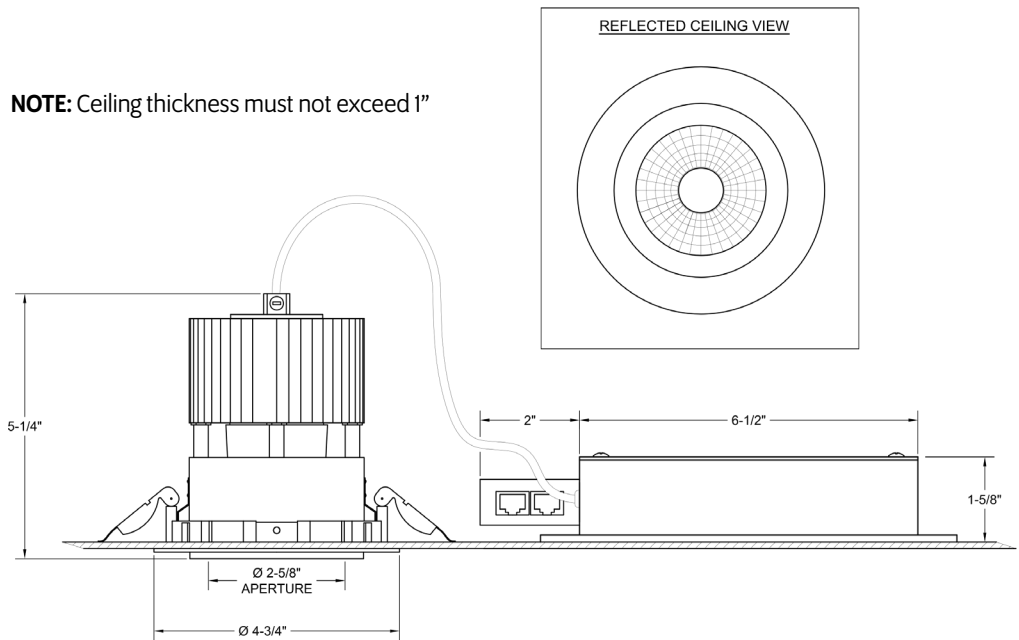
5 Holt Drive
Stony Point, NY 10980
845-947-3034
www.tsight.com

Color Mixing - Tunable White

The Recessed Mosaic features tunable color with a high CRI output. It also features tunable white from 1800K - 6500K. Rich blues, ambers, reds, violets and greens can be added in gradients or can completely saturate the output of the light. Interchangeable reflectors allow beam angles between 20° and 60°. This fixture is perfect for retail applications such as car dealerships and clothing stores but is equally well suited for illuminating artwork or using it in an archtainment setting.

- 2000 Lumen Output
- 5 DMX Channels
- **Color Tuning:** RGB+ Intensity+ CCT
- **Tunable range:** 1800K-6500K tunable white
- 84 - 95 CRI
- Dimmable from 100 - 0.1% at constant CCT
- <2 MacAdam ellipse over 50,000 hour life
- Casambi Available

NOTE: Ceiling thickness must not exceed 1"



Ceiling Cutout: 4 ³/₈" to 4 ⁷/₁₆" diameter

Ordering Matrix

Model	Finish	Optics	Mounting	Dimming	Control/DMX Connector
FCT23	B - Black W - White S - Silver CC - Custom Color	20 = 20° 40 = 40° 60 = 60°	NC = New Construction+ RF = Retrofit	DX = DMX / RDM CS = Casambi Wireless	T = Terminal Block E = RJ45 Ethernet

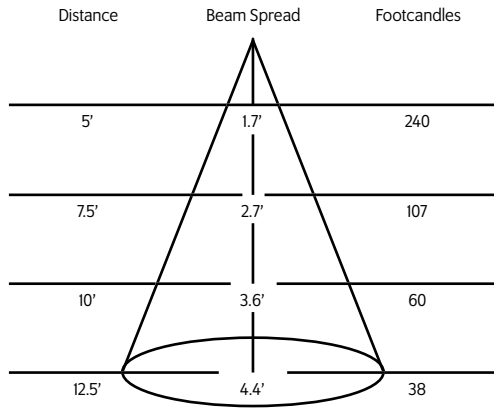
+ See installation instructions for more detail on new construction option.

Example: FCT23-B-40-NC-DX-T

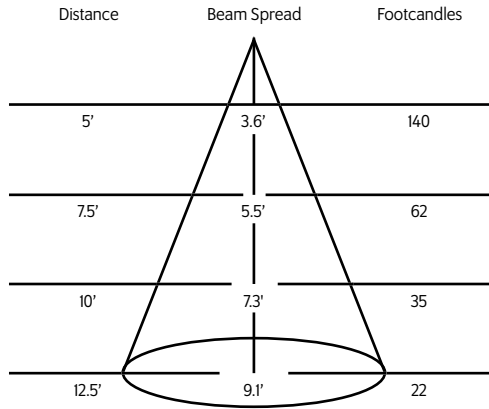
FCT23 - _____ - _____ - _____ - _____ - _____

Photometric Data 4000° K 95CRI

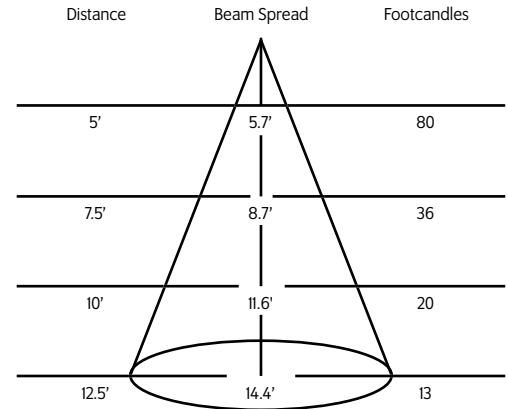
20° Spot Reflector



40° Medium Flood Reflector



60° Flood Reflector



Calibrated CCT Specs:

CCT [K]	Typical CRI
1800 (min)	90
2700	93
3000	95
3500	95
4000	93
6500 (max)	84

NOTE: This fixture is not IC or Chicago Plenum Rated.

* For notes on dimming, please [click here](#).