



SoHo Mini

Mini LED Projector



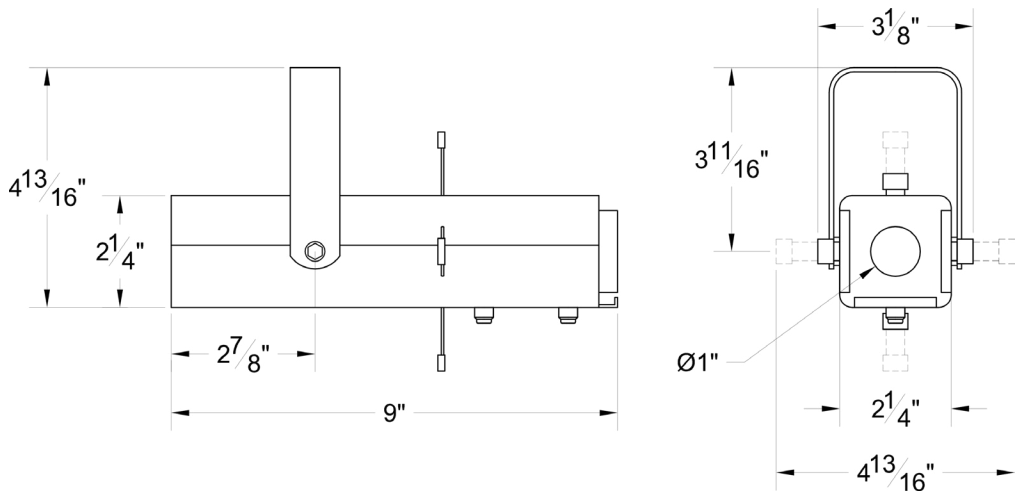
5 Holt Drive,
Stony Point, NY 10980
845-947-3034
www.tslight.com

The SoHo Mini LED Pattern and framing projector is ideal for low ceiling heights and short-throw applications where a compact fixture is required. At 7.5 watts, this is the most energy efficient projector in our line. Utilizing a zoom focus lens system allows the user to adjust beam angles from 25-40° without the use of tools.

The SoHo Mini is ideal for venues such as, restaurants, museums, retail stores, and display booths. Available in black, white, and silver finishes. Custom finishes are available upon request at an additional charge.

Features

- 7.5 Watt dimmable led source
- 4-way Adjustable framing shutters
- Built-in pattern slot
- Zoom lens system (25°-40°)
- Accepts stock or custom patterns
- Numerous mounting options
- Weight: 1.5 lbs



LED Types

109	7.5W; 475 Lumens; 2700°K; 80CRI; 35,000Hrs
113	7.5W; 500 Lumens; 3000°K; 80CRI; 35,000Hrs

Ordering Matrix

Model	Module	Finish	Mounting	Accessories
QIZ	109 113	B = Black W = White S = Silver CC = Custom Color	See Mounting Options	See Accessory Options

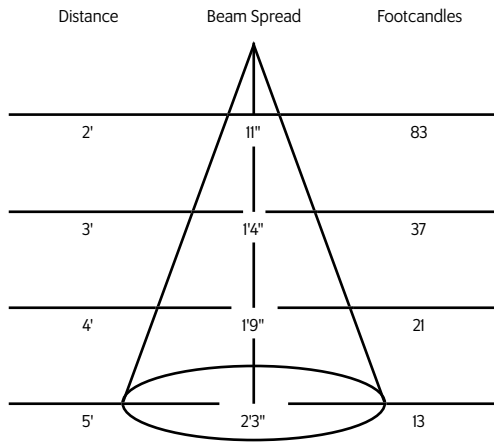
Example: QIZ-109-B-TAI-DF

QIZ- _____ - _____ - _____ - _____

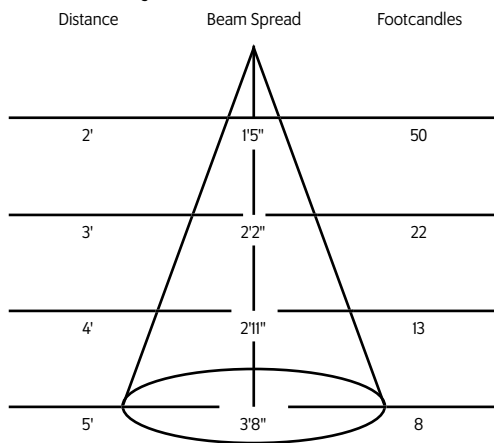
*Specification sheets are subject to change without notice.

Photometric Data

QIZ-113: 25° Spot Position



QIZ-113: 40° Flood Position



Mounting Options

AD1 Track Adapter for commercial grade 1-circuit track. 120V. For use with lightweight fixtures.

T1 Track adapter for commercial grade 1 & 2 circuit track. 120V. For use with larger, heavier fixtures.

TA2 Track adapter for G-Series specification grade 2-circuit track. 120V.

TA3 Track adapter for G-Series specification grade 3-circuit track. 120V.

TA1 / TE2 (2 circuit) Track adapter for E-Series specification grade track. 1 or 2 circuit. 120V.

ST2 2 circuit track adapter for Data Bus. Specification grade track. 120V.

CM4 Canopy mount.

US1 6 5/8" x 1 1/2" Unistrut adapter.

TB4 6 1/4" Portable wall mount/table base floor, wall or table use.

MC Light duty pipe clamp for small fixtures. For pipes up to 1 5/16" O.D.

MN Medium duty pipe clamp for small to large fixtures. For pipes up to 2" O.D.

PC9M Heavy duty pipe clamp for large, heavy fixtures. For pipes up to 2" O.D.

Accessories

CFI	Color Frame
SNI	SNOOT/HOOD
PHI	Pattern Holder Steel
PDI	Pattern Donut
SPI	Stock Pattern Steel
CPI	Custom Pattern Steel
GFI	Glass Color Filter
DFI	Dichroic Color Filter
CCI8	Coiled Cord
IP	Integrated Dimmer

Extension Wands

SP 12	12" Stem
SP 18	18" Stem
SP 24	24" Stem
SP X	Custom Length

Finish

B	Black
W	White
S	Silver
CC	Custom Color

Patterns

For standard and custom patterns please see the pattern specification sheet.



[Click here to download pattern datasheet.](#)