

ACT23P MOSAIC PAR

COLOR MIXING - TUNABLE WHITE

MANUFACTURED IN THE UNITED STATES - IBEW



PRODUCT LISTED
BY A NATIONALLY
RECOGNIZED
TESTING
LABORATORY



The Mosaic PAR features tunable color with a high CRI output and passive cooling for silent operation in noise sensitive environments. Rich blues, ambers, reds, violets and greens can be added in gradients or can completely saturate the output of the light. Interchangeable reflectors allow beam angles between 10° and 60°. This fixture is perfect for noise sensitive environments such as studios, churches, museums and other quiet spaces.

FEATURES

- 2000 Lumen Output
- 5 DMX Channels
- Color Tuning: RGB+ Intensity+ CCT
- Tunable range: 1800K-6500K tunable white
- 84 - 95 CRI
- Dimmable from 100 - 0.1% at constant CCT
- <2 MacAdam ellipse over 50,000 hour life
- Casambi Available
- Fanless (silent) operation

POWER

- Power Consumption: 31W
- Max. Operating Temp: 104°F (40°C) ambient
- 90 - 305 VAC, 50/60 Hz
- Do not install on a circuit containing a dimmer.
- DMX Addressing is RDM-only.

OPTICS

- 10°, 20°, 40° or 60° field-changeable reflectors

WEIGHT

- 2 lbs.

CALIBRATED CCT SPECIFICATIONS

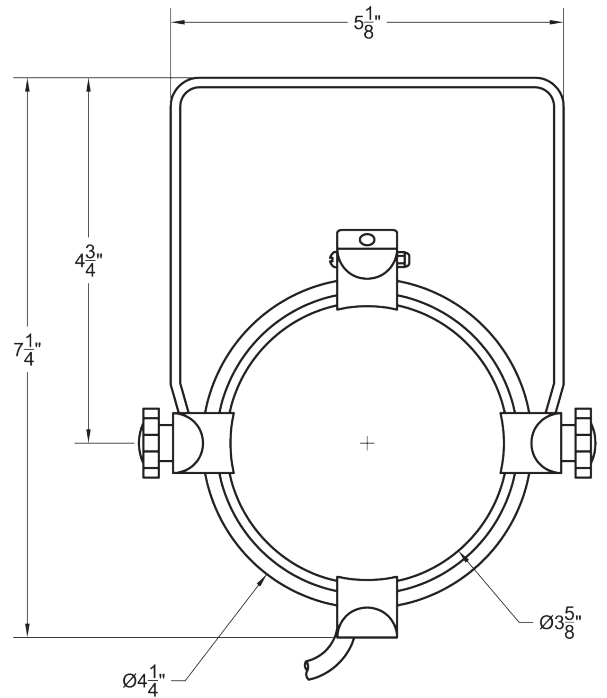
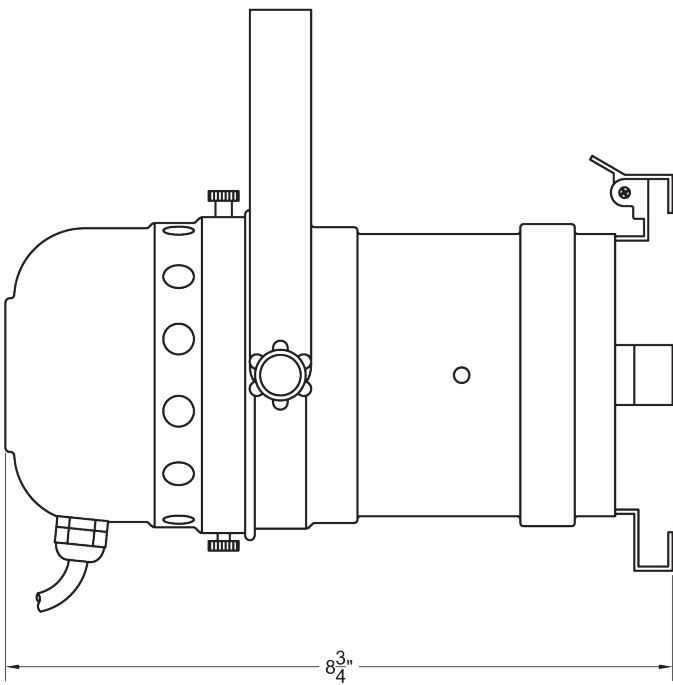
CCT [K]	TYPICAL CRI
1800 (min)	90
2700	93
3000	95
3500	95
4000	93
6500 (max)	84

ACT23P MOSAIC PAR

COLOR MIXING - TUNABLE WHITE

MANUFACTURED IN THE UNITED STATES - IBEW

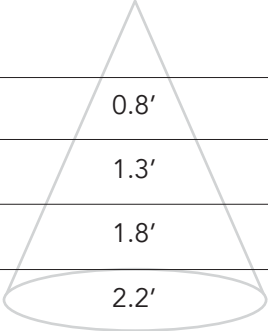
PRODUCT LISTED
BY A NATIONALLY
RECOGNIZED
TESTING
LABORATORY



PHOTOMETRIC DATA

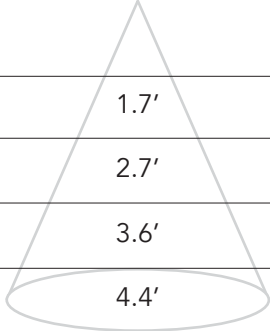
10° Spot Reflector

Distance	Beam Spread	Footcandles
5'	0.8'	290
7.5'	1.3'	129
10'	1.8'	73
12.5'	2.2'	46



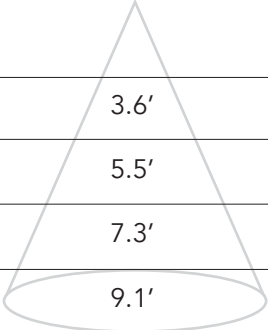
20° Spot Reflector

Distance	Beam Spread	Footcandles
5'	1.7'	240
7.5'	2.7'	107
10'	3.6'	60
12.5'	4.4'	38



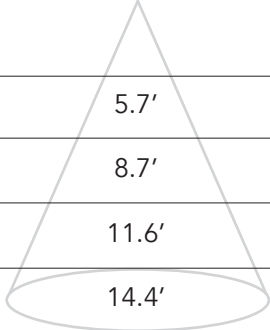
40° Spot Reflector

Distance	Beam Spread	Footcandles
5'	3.6'	140
7.5'	5.5'	62
10'	7.3'	35
12.5'	9.1'	22



60° Spot Reflector

Distance	Beam Spread	Footcandles
5'	5.7'	80
7.5'	8.7'	36
10'	11.6'	20
12.5'	14.4'	13



ACT23P MOSAIC PAR

COLOR MIXING - TUNABLE WHITE

MANUFACTURED IN THE UNITED STATES - IBEW

PRODUCT LISTED
BY A NATIONALLY
RECOGNIZED
TESTING
LABORATORY



MOUNTING OPTIONS

DT2 2-circuit track adapter for SpecTrac databus, 120V.

HDT2 2-circuit track adapter for SpecTrac databus, 277V.

LP2 Low profile 2-circuit track adapter for SpecTrack databus. 120V.

CM4 Canopy mount (Casambi Wireless only).

ACCESSORIES

LV43	Louver
BD43	Barndoor
GF43-600	5°x50° Linear Lens
GF43-601	Beam Softener
GF43-673	50°x50° Spread Lens
SC-24	Safety Cable

NOTES ON DIMMING

Visit tslight.com/resources or scan the QR Code.



SPECIFY:

MODEL	FINISH	OPTICS
ACT23P	B = Black W = White S = Silver CC = Custom Color	10 = 10° Degree 20 = 20° Degree 40 = 40° Degree 60 = 60° Degree
MOUNTING OPTIONS		DIMMING
See Mounting Options for Ordering Codes		DX = DMX / RDM CS = Casambi Wireless

ORDERING INFORMATION

PROJECT:	
LOCATION:	
QUANTITY:	
CONTACT:	
PHONE:	
EMAIL:	

EXAMPLE: ACT23P-B-60-DT2-DX

MODEL	FINISH	OPTICS	MOUNTING OPTIONS	DIMMING