

BR20 BRIGHTON

PATTERN & FRAMING PROJECTOR



The Brighton is a sleek and functional LED framing projector ideal for museums, restaurants, retail and hospitality projects. It features a 20° - 30° degree zoomable lens plus a built in iris and gobo slot for pattern projection. Its slim and attractive design ensures it will enhance the aesthetics of any architectural space.

FEATURES

- Stylish and compact design with integrated driver
- Designed for sharp or soft focused projection of light
- Four shutter blades for framing light
- Internal gobo slot for projecting customized artwork
- 360+ degree rotation without dead angle and 90 deg. vertical aiming
- 20° - 30° degree zoomable lens tube
- Built-in iris
- Takes an "E" Size Gobo

CONSTRUCTION

- Aluminum housing with black, or white finish
- Framing shutters
- Built-in Iris
- +45° to - 25° C operating temperature
- Weight: 3 lbs.

SPECIFICATIONS

- 100-120V
- 15W
- 700 Lumen
- 2700K / 3000K / 3500K / 4000K
- 90+ CRI
- Phase dimmable (0-10V coming soon)
- Track or Monopoint Mounting

PHOTOMETRIC DATA

10° Spot Reflector

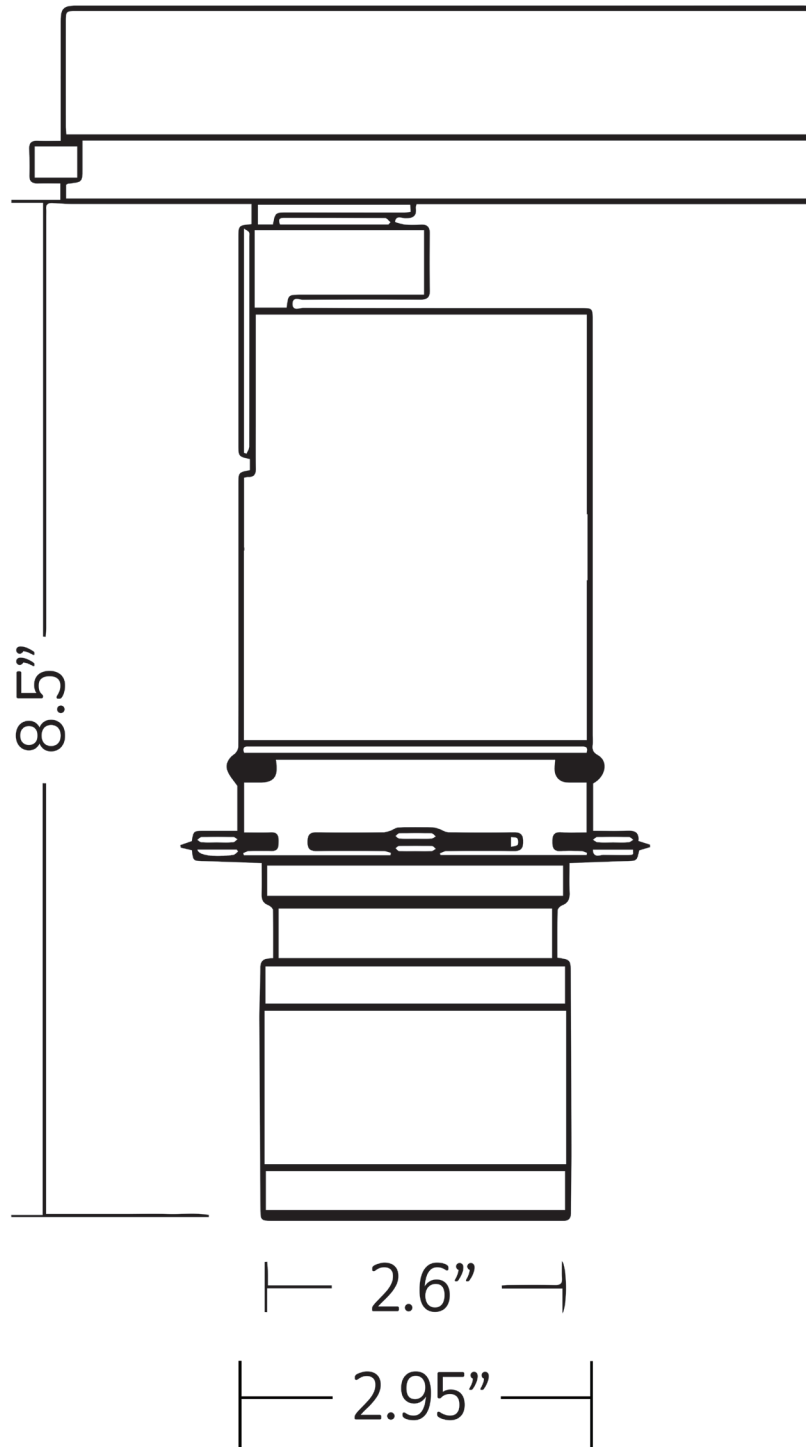
Distance	Beam Spread	Footcandles
7.5'	2'8"	110
10'	3'7"	62
12.5'	4'5"	40
15'	5'4"	28

10° Spot Reflector

Distance	Beam Spread	Footcandles
7.5"	4'2"	55
10'	5'6"	31
12.5'	6'11"	20
15'	8'4"	14

BR20 BRIGHTON

PATTERN & FRAMING PROJECTOR



MOUNTING OPTIONS

AD1 Track adapter for commercial grade 1-Circuit track. This adapter is “H” and Times Square compatible. 120V.

AD1-2 Track adapter for commercial grade 1-Circuit track. This adapter is “J” compatible. 120V.

AD1-4 Track adapter for commercial grade 1-Circuit track. This adapter is “L” compatible. 120V.

DT2 2-circuit track adapter for SpecTrack databus. 120V.

TA2 Track adapter for G-Series specification grade 2-circuit track. 120V.

L020 Monopoint (for AD1)

GA70 Monopoint (for TA2)

ACCESSORIES

SPE Stock Pattern Steel
CPE Custom Pattern Steel
GPE Custom Pattern Glass

NOTES ON DIMMING

Visit tslight.com or scan the QR Code.



BR20 BRIGHTON

PATTERN & FRAMING PROJECTOR



SPECIFY:

MODEL	LED MODULE	COLOR TEMPERATURE	
BR20	90	27 = 2700K	30 = 3000K 35 = 3500K 40 = 4000K
FINISH	VOLTAGE	MOUNTING	DIMMING
B = Black W = White	120	See Mounting Options for Ordering Codes	TE = Trailing Edge LE = Leading Edge

ORDERING INFORMATION

PROJECT:	
LOCATION:	
QUANTITY:	
CONTACT:	
PHONE:	
EMAIL:	

EXAMPLE: BR20-90-27-W-120-TA2

MODEL	LED MODULE	COLOR TEMPERATURE	FINISH	VOLTAGE	MOUNTING	DIMMING
BR20						