



Manufactured in the USA - IBEW



# LED56

## 65W, 7500 Lumen LED



5 Holt Drive  
Stony Point, NY 10980  
845-947-3034  
info@tslight.com

The LED56 is a powerful LED fixture designed for medium to long throw applications. This efficient, 65-watt LED fixture can produce a 12°-64° degree beam that rivals line voltage PAR technology. The LED56 utilizes a Cree LED emitter that delivers a high lumen output and uniform color.

The LED56 is available in Black, White, and Chrome finishes. Custom colors are available upon request.

### Construction

- Aluminum housing with black, white or chrome finish
- Multiple accessory holder
- Weight: 7 lbs.

### Electrical

- Integral electronic driver
- 100-277V, 50/60Hz
- Meets FCC 47 CFR Part 15/18 Requirements

### Optics

- 12°, 19°, 33° 40°, 48°, 55°, and 64° Field - changeable reflectors

### LED

- 2700K, 3000K, 3500K, 4000K, 5000K
- CRI: 80 Standard or 92 Optional
- Beam Angle: 12°, 19°, 33° 40°, 48°, 55°, 64°
- Cree LED array
- No UV or IR

CRI	Total Wattage	Lumens	Efficacy (Lm/W)	CRI
80	65	7400	123	80

\* Total wattage equals LED plus driver. Delivered lumen may vary depending on LED module, color temperature, optics, and accessories.

\* Testing done with 4000K COB.

### Dimming

- Trailing edge (ELV): 120V (7000 max lumens)
- Leading edge (Triac): 120V (7000 max lumens)
- 0-10V: 120-277V with surface mounting. For track applications, use SpecTrac 2-circuit with data bus.
- **Lutron Consult Factory for Details**

### Ordering Matrix

Model	LED Module	Color Temp	Finish	Voltage	Optics	Mounting	Dimming*	Accessories
LED56	80 92	27=2700K	B = Black	120	10=10°	See Mounting Options	TE = Trailing Edge† LE = Leading Edge† 010 = 0-10V ND = Non-Dimming DX = DMX/RDM	See Accessory Options
		30=3000K	W = White	240	12=12°			
		35=3500K	C = Chrome	277	19=19°			
		40=4000K	CC =		33=33°			
		50=5000K	Custom		40=40°			
		57=5700K	Color		48=48°			
					55=55°			
			64=64°					

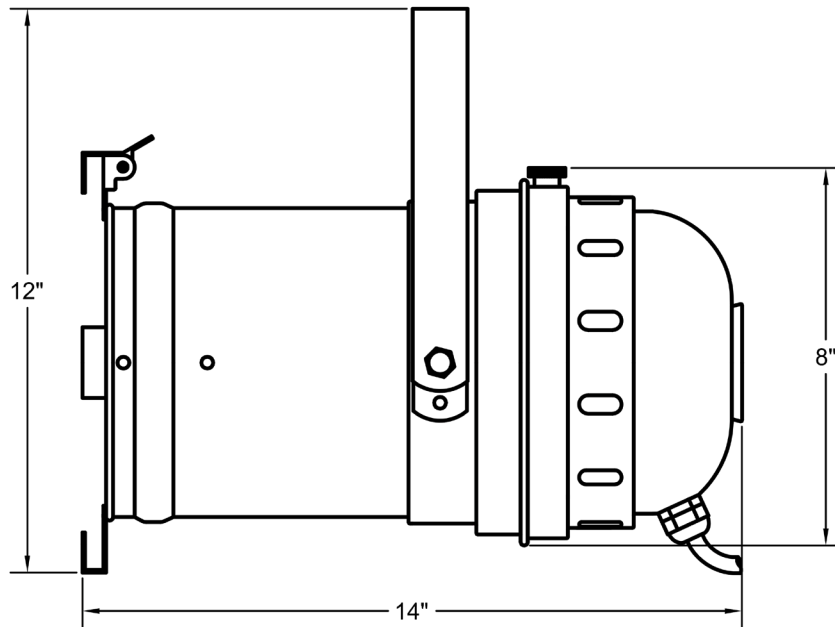
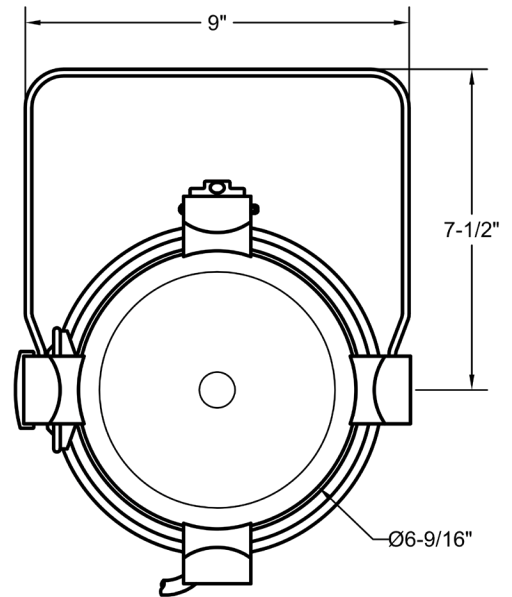
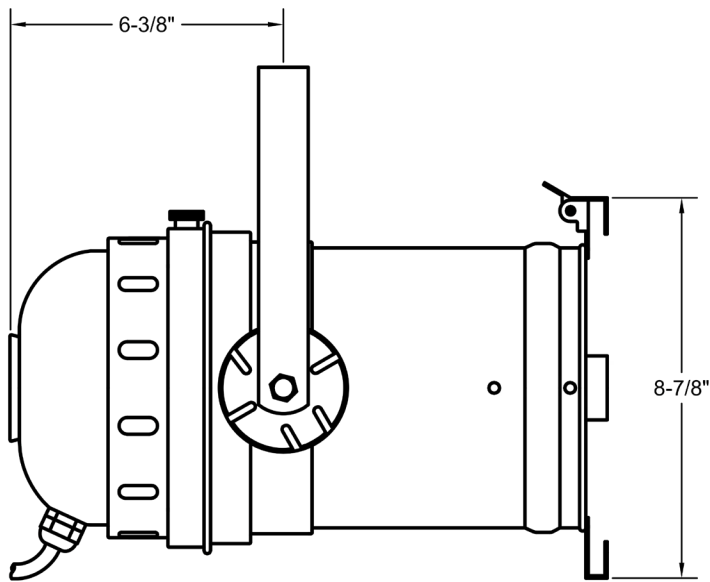
Maximum ambient temperature: 35°C      †120V Only  
Maximum operating angle: 45° from vertical

\* See "Notes on Dimming" on reverse

Example: LED56-9230-B-120-CM4-010

LED56 - \_\_\_\_\_

\* Specification sheets are subject to change without notice.



## Mounting Options

### DT2

2-Circuit track adapter for SpecTrack Databus. 120V.

### HDT2

Track adapter for SpecTrack 2-Circuit data track. 277V.

### TA2

Track adapter for G-Series specification grade 2-circuit track. 120V.

### HTA2

Track adapter for G-Series specification grade 2-circuit track. 277V.

### TA3

Track adapter for G-Series specification grade 3-circuit track. 120V.

### US1

6 $\frac{5}{8}$ " x 1 $\frac{1}{2}$ " Unistrut Adapter

### TB8

8" x 8" Portable table base for floor and table use

### MN

Medium duty pipe clamp for small to large fixtures. For pipes up to 2" O.D.

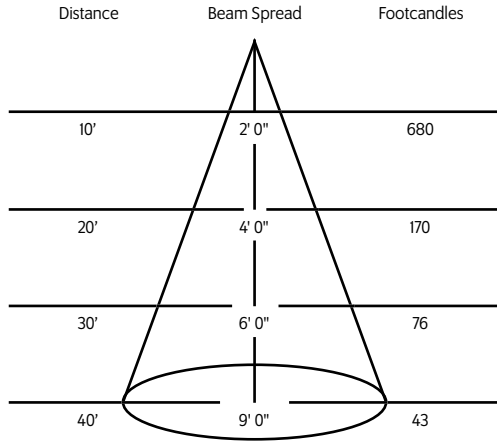
### PC9M

Heavy duty pipe clamp for large, heavy fixtures. For pipes up to 2" O.D.

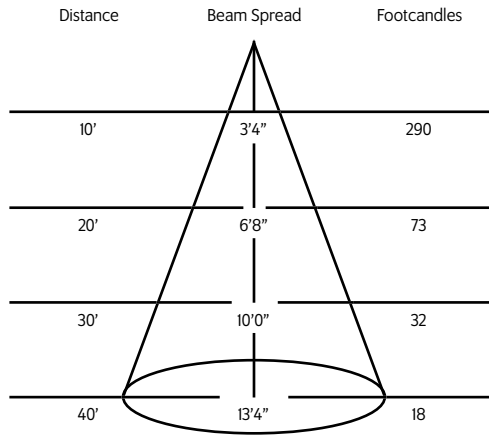
\* For notes on dimming, please [click here](#).

# Photometric Data

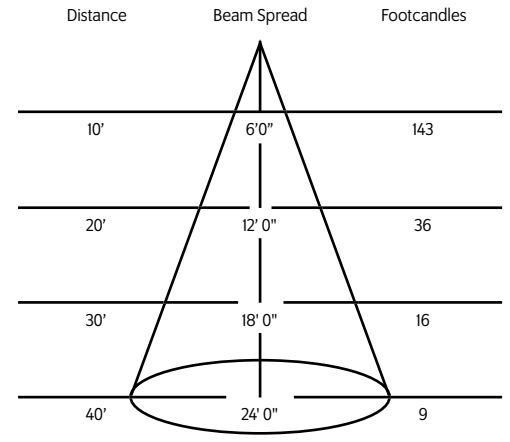
## 12° Spot Reflector



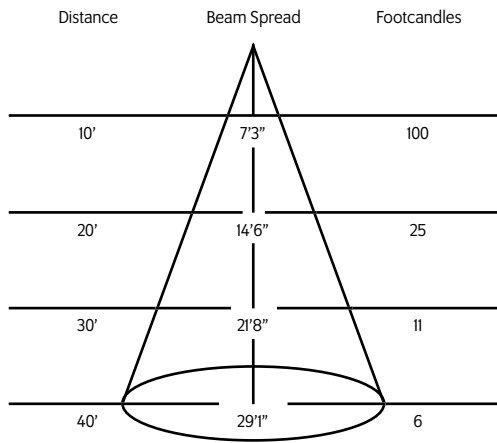
## 19° Spot Reflector



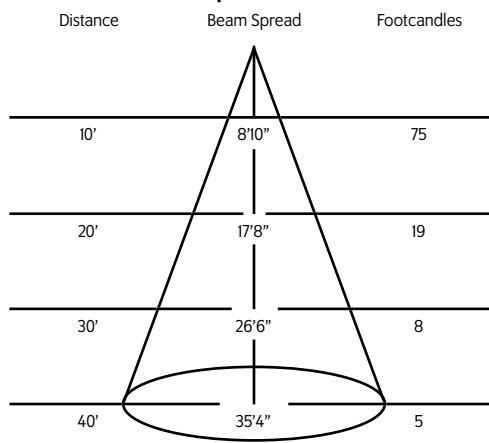
## 33° Spot Reflector



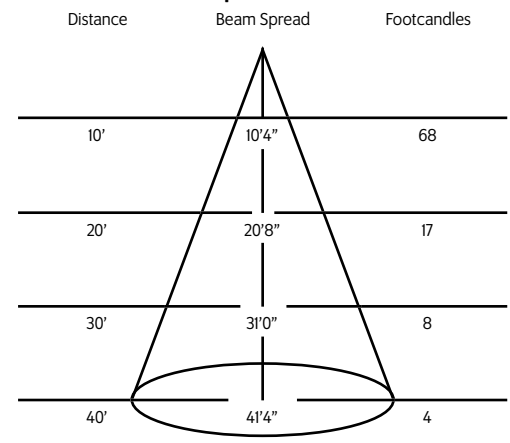
## 40° Spot Reflector



## 48° Spot Reflector



## 55° Spot Reflector



## 64° Spot Reflector

