

0-10V/DMX Preset Dimming Control



- Six 0-10V Outputs w/Relays
- 2000W, Up to 800W per Channel
- Electronic Load Rated
- DMX512 Output
- Up to 60 paged Single or Multi-Channel Zones
- 18 Presets
- Color LED Support
- Infrared Remote Control
- Occupancy Sensor Input
- Daylight Sensor Input
- Astronomical Time Clock
- Micro USB Port
- Zigbee Wireless
- Wi-Fi Support



The Soli 10V, 18-preset dimming control, with capacitive touch buttons and sliders, offers a unique combination of control outputs designed specifically for LED lighting applications. The Soli 10V provides six channels of 0-10V dimming control including cutoff relays, and a direct DMX512 output. It has a 2000-watt load capacity, up to 800 watts per channel, with a UL electronic load rating. It was recognized in the 2013 IES progress report.

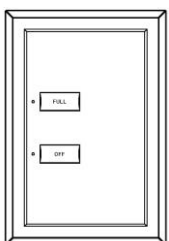
The direct DMX output can control remote dimmers, or color LEDs. Up to 60, paged, single or multi-channel zones can be set up across 512 DMX outputs, and includes a unique virtual intensity control of standard RGB fixtures that do not support intensity control in their DMX profile.

The LCD display, buttons, and sliders provide an easy to use interface for preset recall, level, color, and fade time editing, master raise/lower control for presets, zones or grouped zones. The capacitive touch sliders, each with a 10-segment LED bargraph, provide quick adjustments with a single touch for color select or intensity. Enter color mode and select colors with the zone slider while color names are displayed in the LCD. Adjacent sliders provide the color control setting for the amber and or white of RGBA/W fixtures.

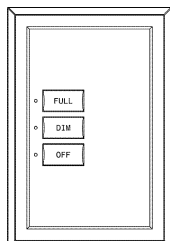
The Soli 10V can operate as a standalone control or as part of the Solitaire Impress modular dimming system – with remote stations, multiple masters, communications interfaces, sensor I/O, and Wi-Fi. The unit includes an astronomical time-clock, micro USB port, and two inputs for occupancy and daylight sensors, or contact closures.

For other load requirements, the Soli 10V can drive a remote relay or one of the Solitaire Impress modular dimming system DMX-based power modules available as forward phase, reverse phase, 0-10V, dual 0-10V, or non-dim relay. The Soli 10V is ideal for restaurants, themed-retail, conference rooms, houses of worship, convention centers, and theater house light control.

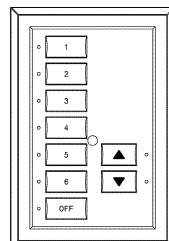
Remotes



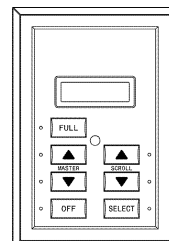
SDE602



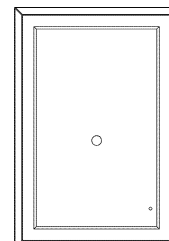
SDE603



SDE606RL



SDE- LCD

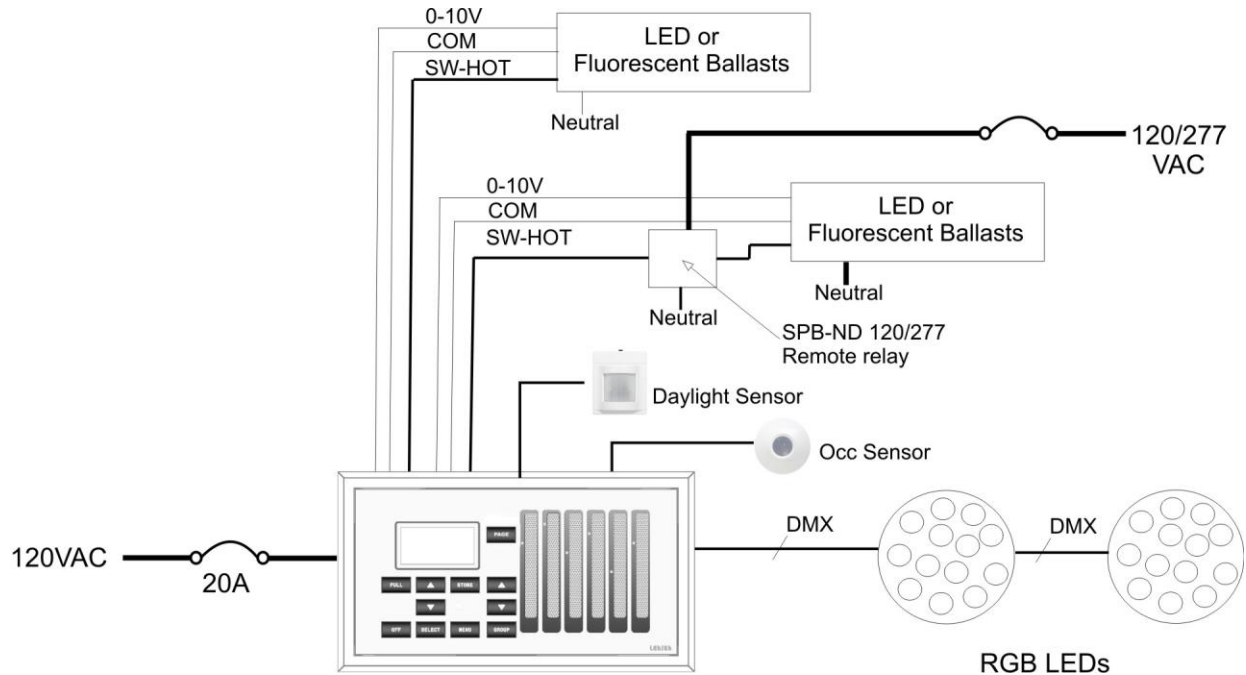


SDE-IR



INFRARED REMOTE

Typical Riser – Standalone*



*Standalone configuration provides a direct DMX connection. When auxiliary stations, additional masters, or other control interfaces are included in a system a DOI (DMX Output Interface) is required for a DMX connection. The DOI is a single port opto-isolated DMX splitter with buffered pass-thru for link communication.

Specifications

General

- UL and cUL listed, UL508
- 6 independent 0-10V outputs
- 6 independent cutoff relays
- 2000W, 800 per channel maximum
- 8A electronic load rating on relays
- 60 single or multi-channel zones
- 18 Presets
- 128 X 64 Graphic LCD display
- Capacitive Touch Buttons and Sliders
- DMX512 output
- Micro USB port
- Zigbee option
- ABS frame and Lexan faceplate
- Four-gang mounting with no visible fasteners

Zones

- 60 single or multi-channel, paged
- Dim/Non-Dim
- RGB, RGBA/W, RGBA/WI, RGBAW, RGBAWI
- Virtual Intensity control for color LEDs
- Color Mode – select from 200 colors using zone slider

- High/Low end trim

Operations

- Store/Recall 18 presets
- 0-60 minute Fade times
- Astronomical Time-clock Events
- Occupancy/Daylight sensor inputs with system control and energy management functions
- Preset Auto-sequence
- Multi-room, up to 8 rooms, with partition controls
- Shade control

Auxiliary

- Remote preset recall
- Infrared remote input
- Channel R/L
- Room partition control
- Sensor and I/O interface
- Communication Interface – RS232, ethernet
- DMX Output Interface, optional wireless
- DMX Forward phase power module
- DMX Reverse phase power module
- DMX dual 0-10V LED/Fluorescent power module
- Remote relay
- Wi-Fi