

# PRISM PAR 12

## RGBAW-UV LED Specification Sheet



5 Holt Drive,  
Stony Point, NY 10980  
845-947-3034  
info@tslight.com

### Main Features

- 12x 18W 6-in-1 RGBAW+UV LEDs, 100,000 hours
- Natural convection cooled, totally silent operation
- Variable electronic strobe
- Built-in color & chase macros via DMX
- Built-in auto programs & sound active in standalone and M/S
- Color mixing and dimming ability in standalone mode
- 25 degree beam angle
- Flicker-free constant-current LED driver
- LED control panel with 4 touch sensitive buttons



### Weight & Dimensions

- **Dimensions:** 11" x 5" x 12"
- **Weight:** 10 lbs.

### Control

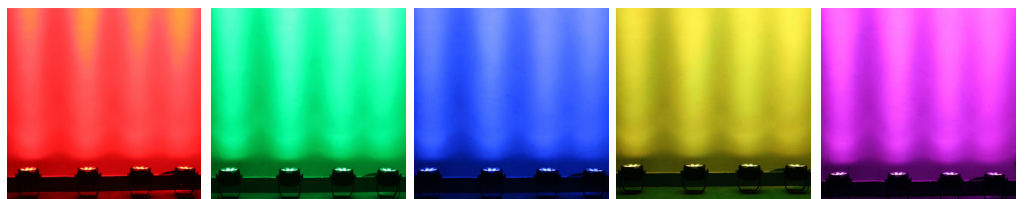
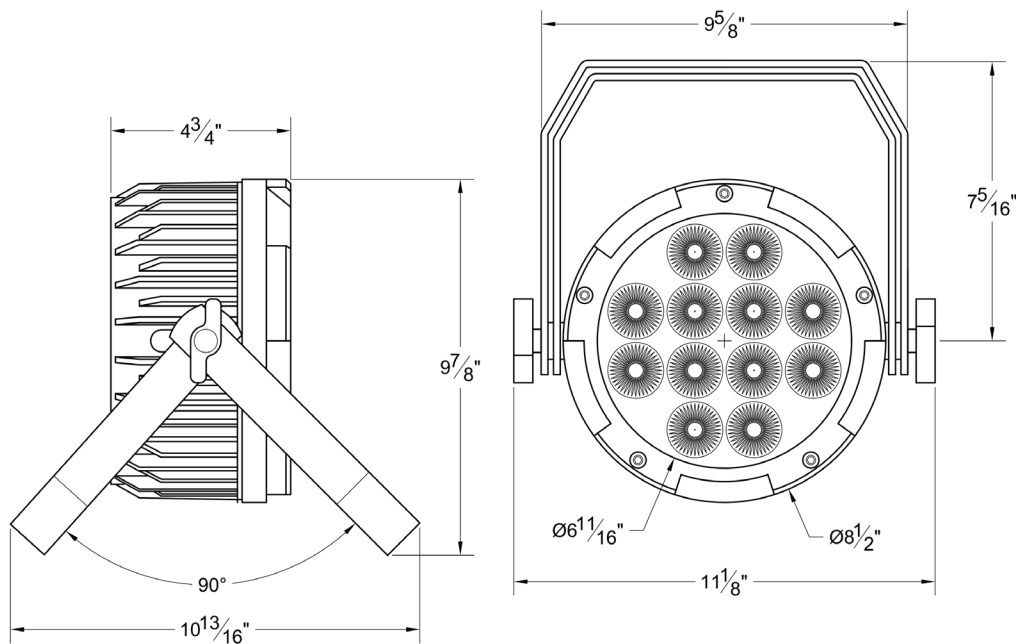
- **Protocol:** USITT DMX-512
- **DMX Channels:** 6-10
- **Input:** 5-pin XLR Male
- **Output:** 5-pin XLR Female
- Standalone, Master/Slave, Sound Active
- Wireless DMX Receiver

### Power

- **Voltage:** 100-250 VAC, 50-60 Hertz
- **Power Consumption:** 216W
- PowerCon In / Out

### Optics

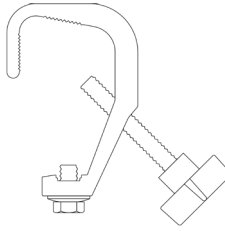
- 12x 18W 6-in-1 RGBAW+UV
- 25° beam angle



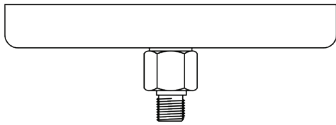
\*Specification sheets are subject to change without notice.

## Mounting Options

**MNB** Clamp for pipe up to 2" OD



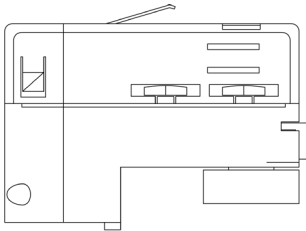
**CM4** Canopy for mounting to J-box



**US1** Unistrut mount



**DT2** Track adapter (2 Required)



## Accessories



### **WINT-DMX**

DMX transmitter 1000 ft. range (line of sight)

### **WINR-DMX**

DMX receiver 1000 ft. range (line of sight)

**AH12**

Accessory Holder

**6S**

Hood

**6BD4**

Barndoor

**6CF-673**

Spread Lens

**SC-B**

Safety Cable