



# CYCR Series

Round Pendant LED



5 Holt Drive,  
Stony Point, NY 10980  
845-947-3034  
info@tslight.com

The CYCR Series 4" pendant is ideal for retail and commercial lighting applications. The CYCR features a high-performance LED module from 720 to 3500 lumen packages. Simply specify the electrical drop of the fixture, or surface mount directly to a j-box. Made of extruded aluminum and finished with white or black powder coat paint finish. Custom finishes are available upon request.

Manufactured in the USA - IBEW



## LED

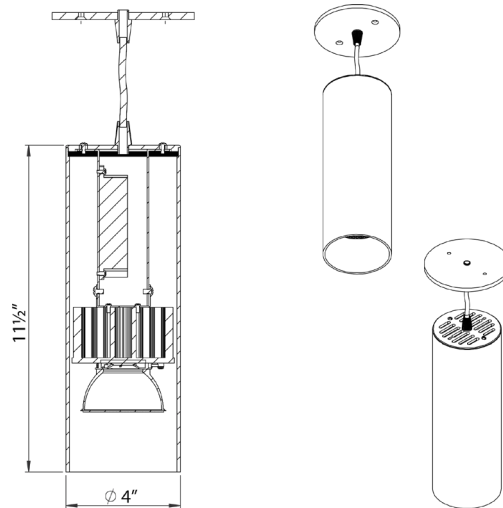
- Cree XLamp LED array
- **Color temp options:** 2700K, 3000K, 3500K, 4000K, 5000K, 5700K, 6500K
- **CRI:** 80 standard or 92 optional
- Lumen maintenance: 90% of initial lumen output at 33,000 hours on LM-80 testing
- No UV or IR

## Electrical

- Integral electronic driver
- 100-277V, 50/60Hz
- Meets FCC 47 CFR Part 15/18 Requirements

## Construction

- Extruded aluminum housing with black, white or silver finish
- 48" Cable as standard
- **Weight:** 6 lbs.



Model	CRI	Total Wattage	Lumens	Efficacy (Lm/W)
CYCR9	80 / 92	5.6 / 6.4	900 / 900	161 / 141
CYCR12	80 / 92	7.7 / 9.0	1200 / 1200	156 / 133
CYCR15	80 / 92	9.7 / 11.4	1500 / 1500	155 / 132
CYCR18	80 / 92	11.4 / 15.0	1800 / 1800	158 / 120
CYCR20	80 / 92	13.3 / 15.8	2000 / 2000	150 / 127
CYCR25	80 / 92	18.0 / 23.4	2500 / 2500	139 / 107
CYCR27	92	25.0	2700	108
CYCR30	80 / 92	23.4 / 30	3000 / 3000	128 / 100
CYCR35	80	30.0	3500	117

\* Total wattage equals LED plus driver. Delivered lumen may vary depending on LED module, color temperature, optics, and accessories. Testing done with 3000K LED array.

## Ordering Matrix

Model	Lumens	CRI	Color Temp	Finish	Voltage	Optics	Mounting	Dimming†	Accessories
CYCR	9 = 900 / 900 12 = 1200 / 1200 15 = 1500 / 1500 18 = 1800 / 1800 20 = 2000 / 2000 25 = 2500 / 2500 27 = 2700* 30 = 3000 / 3000 35 = 3500**	80 92	27 = 2700K 30 = 3000K 35 = 3500K 40 = 4000K 50 = 5000K 57 = 5700K** 65 = 6500K**	B = Black W = White S = Silver CC = Custom Color	100†† 120 240 277	20 = 20° 40 = 40° 60 = 60°	See Mounting Options	TE = Trailing Edge*** LE = Leading Edge† 010 = 0-10V ND = Non-Dimming IP = Integral Pot††† DMX = DMX Basic^^ ECP = Ecosystem premier 0.1% dim	See Accessory Options

Maximum ambient temperature: 35°C  
Maximum operating angle: 45° from vertical  
\* 92 CRI Only \*\* 80 CRI Only

† Maximum 2000 Lumens †† Not available in cable mount fixture  
\*\*\* 277V TE & IP Dimming available on 1800, 2500 & 3000 lumen,  
80 CRI and 1500 & 2700 lumen, 92 CRI only.

† See "Notes on Dimming" on reverse  
†† Non-Dim or 0-10V dimming only  
††† 120V Only

**Example:** CYCR-80-27-B-120-20-CMI-TE-LV3

CYCR - \_\_\_\_\_

\* Specification sheets are subject to change without notice.

## Optics

- 20°, 40°, and 60° Field-changable reflectors

CBCP:	CYCR9	CYCR12	CYCR15	CYCR18	CYCR20	CYCR25	CYCR30	CYCR35
20°	3100	4250	5500	6030	6700	8600	11000	13900
40°	1850	2500	3250	3600	4000	5100	6500	7100
60°	980	1350	1750	2100	2425	3200	3700	4150

\* Testing done at 3000K, 80 CRI.

### Photometric Data

Distance	20° Spot Reflector Beam Spread	Footcandles							
		CYCR9	CYCR12	CYCR15	CYCR18	CYCR20	CYCR25	CYCR30	CYCR35
5'	1.7'	126	170	220	241	268	344	440	556
10'	3.5'	31	43	55	60	67	86	110	139
15'	5.3'	14	19	24	27	30	38	49	62
20'	7.1'	8	11	14	15	17	22	28	35
25'	8.8'	5	7	9	10	11	14	18	22
30'	10.6'	-	6	6	7	7	10	12	15

Distance	40° Medium Flood Reflector Beam Spread	Footcandles							
		CYCR9	CYCR12	CYCR15	CYCR18	CYCR20	CYCR25	CYCR30	CYCR35
5'	3.6'	74	100	130	144	160	204	260	284
10'	7.3'	19	25	33	36	40	51	65	71
15'	10.9'	8	11	15	16	18	23	29	32
20'	14.6'	5	6	8	9	10	13	16	18
25'	18.2'	-	-	5	6	6	8	10	11
30'	22.2'	-	-	-	-	-	6	7	8

Distance	60° Flood Reflector Beam Spread	Footcandles							
		CYCR9	CYCR12	CYCR15	CYCR18	CYCR20	CYCR25	CYCR30	CYCR35
5'	5.7'	39	54	70	85	97	128	148	166
10'	11.6'	10	14	18	21	24	32	37	42
15'	17.3'	5	6	8	9	11	14	16	18
20'	23.1'	-	5	5	5	6	8	9	10
25'	28.9'	-	-	-	-	5	5	6	7
30'	35.2'	-	-	-	-	-	-	-	5

### Mounting Options

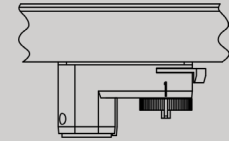
**T1** Track Adapter for commercial grade 1 & 2 circuit track. 120V. For use with larger, heavier fixtures.

**DT2** Track adapter for SpecTrack 2-Circuit data track. 120V.

**TA2** Track adapter for G-Series specification grade 2-circuit track. 120V or 277V.

**TA3** Track adapter for G-Series specification grade 3-circuit track. 120V.

**HDT2** Track adapter for SpecTrack 2-Circuit data track. 277V.



**CM** Canopy Mount

**SM** Surface Mount (J-Box Mount)

**DXTC** Canopy mount with terminal block for DMX Stem

### Accessories

<b>X00517 *</b>	Glass/Dichroic Holder
<b>LV18</b>	Louver
<b>GF22</b>	Glass Color Filter
<b>DF22</b>	Dichroic Color Filter
<b>GF22-600</b>	5°x50° Linear Lens
<b>GF22-601</b>	Beam Softener
<b>GF22-673</b>	50°x50° Spread Lens

\* Required accessory when using glass or dichroic filters

\* For notes on dimming, please [click here](#).