

MR16R

SPECIFICATION SHEET



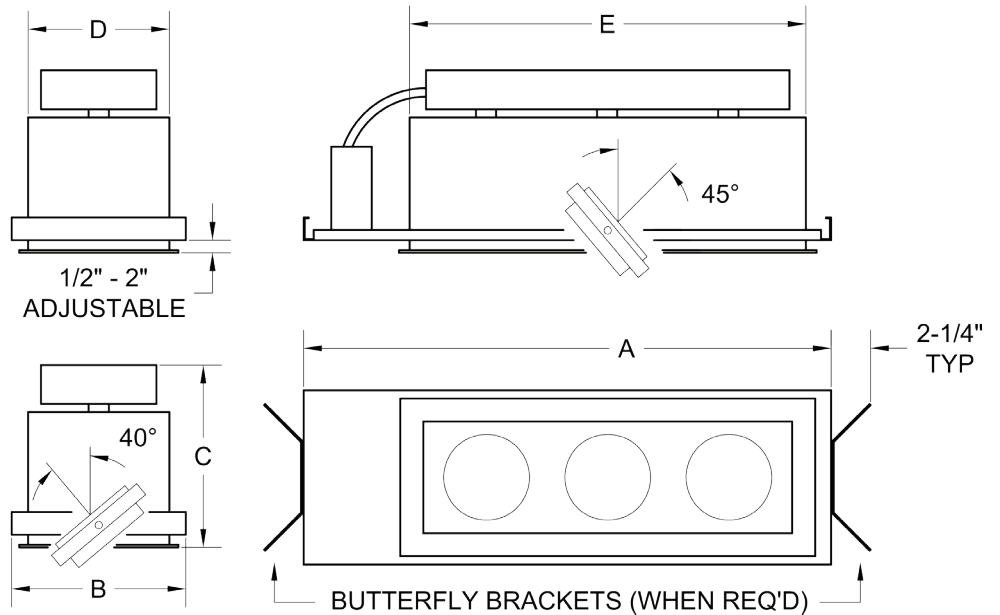
5 Holt Drive,
Stony Point, NY 10980
845-947-3034
info@tslight.com

Manufactured in the USA - IBEW



Features

- Accepts low voltage LED MR16 lamps
- Available in 1 to 4-light linear configurations
- Blends into the ceiling and can be installed with or without trim
- Each Lamp Holder is individually mounted for pan and tilt
- Easy front relamping
- Accepts a variety of lenses and accessories
- Integral Thermal Protection
- Adjustable trim with torsion springs for ceilings up to 2" thick
- Adjustable butterfly mounting brackets included (additional mounting hardware provided by others)
- Fully enclosed wiring compartment
- Black, white and silver trims available - custom colors upon request.
- Use with electronic low voltage (ELV) Dimmer only (AKA Trailing Edge and Reverse Phase)



Ordering Matrix

Model	# of Lamps	Voltage	Inside Finish	Trim Finish
MR16R	1 = 1-Linear 2 = 2-Linear 3 = 3-Linear 4 = 4-Linear	120 = 120V	B = Black W = White S = Silver CC = Custom	B = Black W = White S = Silver CC = Custom

Maximum Ambient temperature: 35°C

Example: MR16R-3-B-W-120

MR16R-_____ - _____ - _____ - _____

* Specification sheets are subject to change without notice.

1-Linear MR16R-1



2-Linear MR16R-2



3-Linear MR16R-3



4-Linear MR16R-4



Model #	Length	Width	Height	Ceiling Cut-Out	
	(A)	(B)	(C)	(D)	(E)
MR16R-1	12½"	6⅞"	6½"	5¾"	6¼"
MR16R-2	16½"	6⅞"	6½"	5¾"	10¼"
MR16R-3	20¾"	6⅞"	6½"	5¾"	14⅛"
MR16R-4	24¾"	6⅞"	6½"	5¾"	18⅛"

LED Lamp Types

Lamp Type	CCT	Watts	CRI	Lumens
Vivid	2700K	7.5	95	390
Vivid	3000K	7.5	95	410
Vivid	4000K	7.5	95	430
Brilliant	2700K	7.5	90	620
Brilliant	3000K	7.5	90	640

Accessories

GF38	Colored Glass
GF38-601	Beam Softener
GF38-600	5°x50° Linear
GF38-673	50°x50° Spread
GF38-702	UV Blocking
HD38	Snoot
XH38	Cross Baffle

NOTE: These fixtures are not IC or Chicago Plenum Rated.