



# WW38

50- 250W PAR38



5 Holt Drive,  
Stony Point, NY 10980  
845-947-3034  
info@tslight.com

The WW38 wall wash unit is ideal for applications that require evenly lighting vertical surfaces from top to bottom. This flat back cylinder has sharp cut off and a special reflector system that accepts PAR38 lamps from 50 to 250-watts. Equipped with an internal accessory holder that accepts louvers, barndoors, hoods and filters.

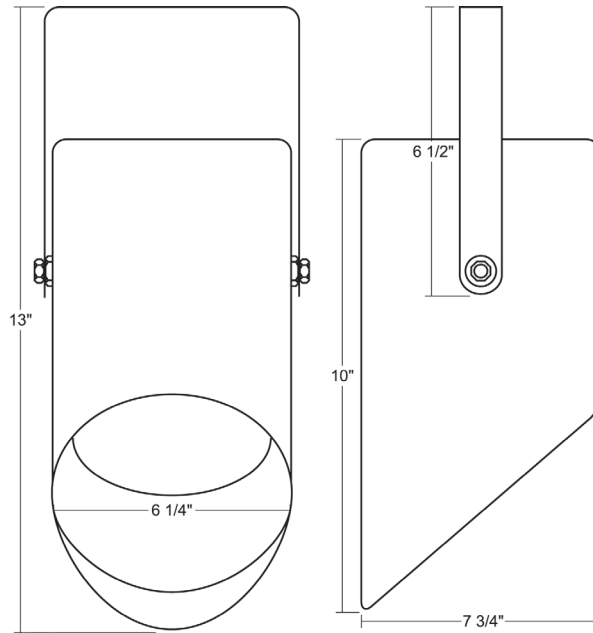
Wrench-lock yoke. Available in black, white and silver finishes. Custom colors are available by request and at an additional charge.

Manufactured in the USA - IBEW

PRODUCT LISTED  
BY A NATIONALLY  
RECOGNIZED  
TESTING  
LABORATORY

## Features

- 120-volt
- Wrench-lock yoke
- Numerous mounting options and accessories
- Weight: 2.3 lbs



## LED Lamp Types

Lamp Type	CCT	Watts	CRI	Lumens*
Vivid	2700K	18.5	95	930
Vivid	3000K	18.5	95	1000
Brilliant	2700K	14	92	1190
Brilliant	3000K	14	92	1230

Model	Finish	Mounting	Accessories
WW38	B = Black W = White S = Silver CC = Custom Color	See Mounting Options	See Accessory Options

Example: WW38-B-T1-LV7

WW38-\_\_\_\_\_ - \_\_\_\_\_ - \_\_\_\_\_

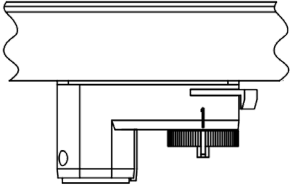
\*Specification sheets are subject to change without notice.

## Mounting Options

**AD1** Track adapter for commercial grade 1 & 2 circuit track. 120V. For use with Lightweight fixtures.

**T1** Track adapter for commercial grade 1 & 2 circuit track. 120V. For use with larger, heavier fixtures.

**TA3** Track adapter for G-Series specification grade 3-circuit track. 120V.



**CM4** Canopy mount.



**US1** 6 5/8" x 1 1/2" Unistrut adapter.



**TB4** 6 1/4" Portable wall mount/table base floor, wall or table use.

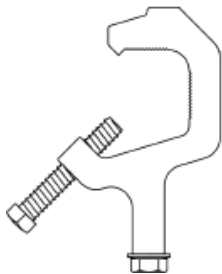
**TB8** 8" x 8" Portable table base for floor or table use.



**MC** Light duty pipe clamp for small fixtures. For pipes up to 15/16" O.D.

**MN** Medium duty pipe clamp for small to large fixtures. For pipes up to 2" O.D.

**PC9M** Heavy duty pipe clamp for large, heavy fixtures. For pipes up to 2" O.D.



## Accessories

<b>LV7</b>	Louwer
<b>CF7</b>	Color Frame
<b>GF7</b>	Glass Color Filter
<b>DF7</b>	Dichroic Color Filter
<b>GF7-600</b>	5°x50° Linear Lens
<b>GF7-601</b>	Beam Softener
<b>GF7-673</b>	50°x50° Spread Lens
<b>GF7-702</b>	UV Blocking Filter
<b>CC18</b>	Coiled Cord
<b>SC-24</b>	Safety Cable
<b>IP</b>	Integral Dimmer

## Snap Accessories

<b>01145</b>	25° Beam Spreader Snap
<b>01147</b>	36° Beam Spreader Snap
<b>01149</b>	60° Beam Spreader Snap
<b>01595</b>	10°-36° Linear Snap
<b>03261</b>	10°-60° Linear Snap
<b>01597</b>	36°x36° Flat Top Snap
<b>01151</b>	40° Cutoff Louver
<b>03257</b>	20° Maximum Deflection Snap
<b>01153</b>	¼ Color Temperature Shift Snap
<b>01155</b>	½ Color Temperature Shift Snap
<b>01157</b>	¾ Color Temperature Shift Snap
<b>03283</b>	Enhance Snap
<b>02185-C</b>	Color Snap (Specify Color)

## Extension Wands

<b>SP 12</b>	12" Stem
<b>SP 18</b>	18" Stem
<b>SP 24</b>	24" Stem
<b>SP X</b>	Custom Length

## Finish

<b>B</b>	Black
<b>W</b>	White
<b>S</b>	Silver
<b>CC</b>	Custom Color

