

PE77 12W

LED



5 Holt Drive,
Stony Point, NY 10980
845-947-3034
info@tslight.com

The PE77 is an economical fixture for the commercial lighting market. It is housed in an attractive and clean cylinder. It features a choice of four different beam angles, ranging from a narrow spot to a wide flood. The PE77 is trailing edge dimmable (ELV) and delivers 1300 lumens.

Manufactured in the USA - IBEW

PRODUCT LISTED
BY A NATIONALLY
RECOGNIZED
TESTING
LABORATORY



Construction

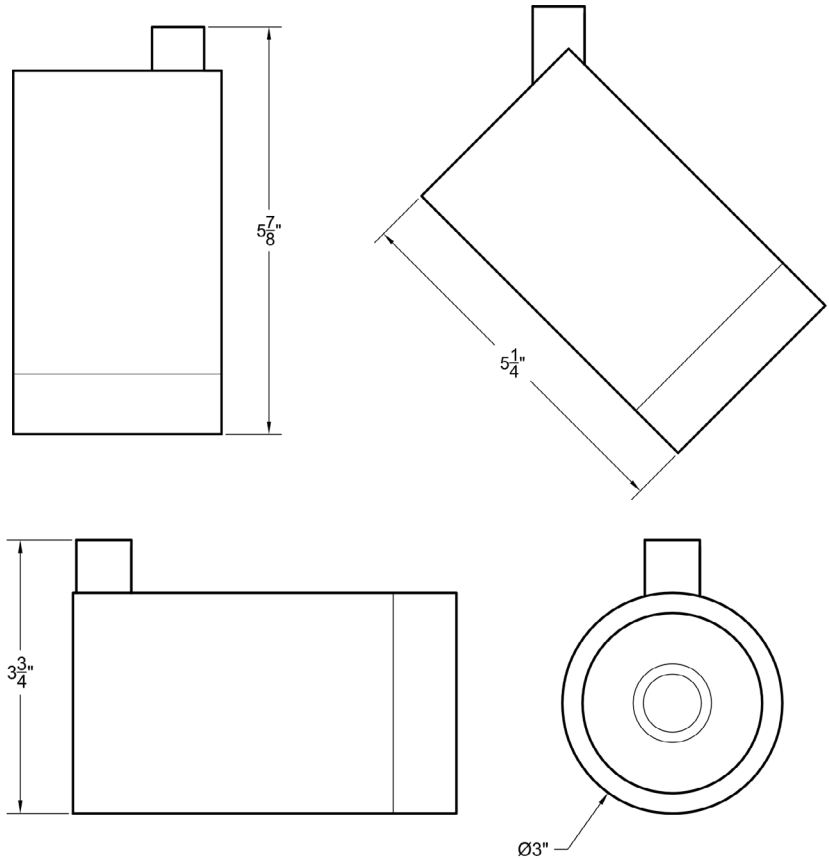
- Aluminum housing with black or white finish
- Weight: 1 lbs.

Electrical

- Integral electronic driver
- 120V, 50/60Hz
- Meets FCC 47 CFR Part 15/18 Requirements

Compatibility

- For use with Times Square Lighting single circuit track and HALO style single circuit track.



LED

- Citizen LED array
- Color temperature 3000K - to change color temperature, see accessories.
- CRI: 80
- Lumen maintenance: 90% of initial lumen output at 33,000 hours on LM-80 testing
- No UV or IR

Model	CRI	Total Wattage	Delivered Lumens	Efficacy (Lm/W)
PE77	80	12	1300	108

* Total wattage equals LED plus driver. Delivered lumen may vary depending on LED module, color temperature, optics, and accessories. Testing done with 3000K LED array.

Ordering Matrix

Model	Lumens	CRI	Color Temp	Finish	Voltage	Optics	Mounting	Dimming †	Accessories
PE77	13 = 1300	80	30 = 3000K	B = Black W = White	120	15 = 15° 24 = 24° 38 = 38° 60 = 60°	AD1 LO20	TE = Trailing Edge*	See Accessory Options

Maximum ambient temperature: 35°C
Maximum operating angle: 45° from vertical

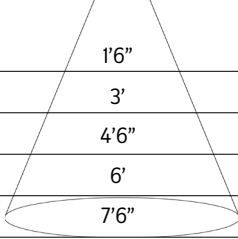
Example: PE77-8030-B-120-15-AD1-TE

PE77 - _____

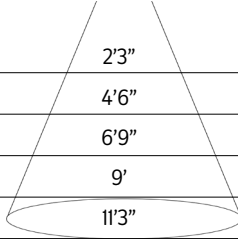
* Specification sheets are subject to change without notice.

Photometric Data

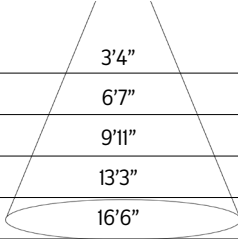
Distance	Beam Spread	Footcandles
5'	1'6"	398
10'	3'	99
15'	4'6"	44
20'	6'	25
25'	7'6"	16



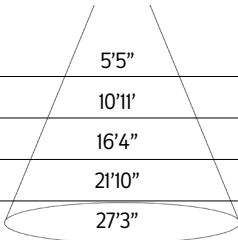
Distance	Beam Spread	Footcandles
5'	2'3"	214
10'	4'6"	53
15'	6'9"	24
20'	9'	13
25'	11'3"	8.6



Distance	Beam Spread	Footcandles
5'	3'4"	124
10'	6'7"	31
15'	9'11"	14
20'	13'3"	7.7
25'	16'6"	5



Distance	Beam Spread	Footcandles
5'	5'5"	66
10'	10'11"	17
15'	16'4"	7.4
20'	21'10"	4.1
25'	27'3"	2.7



Mounting Options

ADI Track adapter for 1-circuit track. Good for use with small, lightweight fixtures.

L020 Monopoint Canopy can be mounted to any standard 3-1/2" or 4", round or octagon electrical box.

Accessories

FX22-26	Red Filter
FX22-80	Blue Filter
FX22-64	Light Blue Filter
FX22-90	Green Filter
FX22-21	Amber Filter
FX22-10	Yellow Filter
FX22-33	Pink Filter
FX22-320B	Boosts to 3500K
FX22-3204	Boosts to 4100K
FX22-3410	Warms to 2600K
FX22-3409	Warms to 2600K

Extension Wands

SX 12	12" Stem
SX 18	18" Stem
SX 24	24" Stem