

# LEDP-AR111

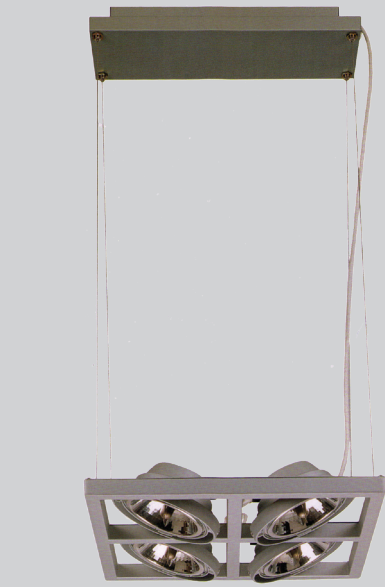
## LED Pendant

LEDP-AR111 is an extensive range of suspended adjustable multihead gimbal fixtures designed for retail and commercial display lighting. They are available in a number of different sizes and lamp combinations. Precision beam direction is achieved through the double gimbal mechanism, each ring being individually adjustable between 0-40°. The rings and housing are constructed from diecast aluminum and painted in a silver-grey polyester powder coat finish. AR111 halogen lamps offer exceptional beam control with a high light output.

5 Holt Drive,  
Stony Point, NY 10980  
845-947-3034  
www.tslight.com

By utilizing Sora's Snap System, there are unlimited possibilities for customizing this fixture. Options include the ability to field change the beam angle (Beam Spreader Snap), alter color temperature (CTO Snap), or to add a louver. Color Snaps can be used to produce brilliant hues of any color that Rosco or Lee offer.

The Enhance Lens Snap can increase the vividness of warm colors (including red, orange and pink and greens). Aim Snaps can bend the beam to a maximum deflection angle of 20°. Linear Snap Lenses can alter the beam to act as a wall wash.



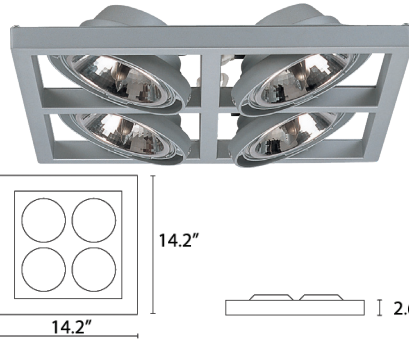
Manufactured in the USA - IBEW



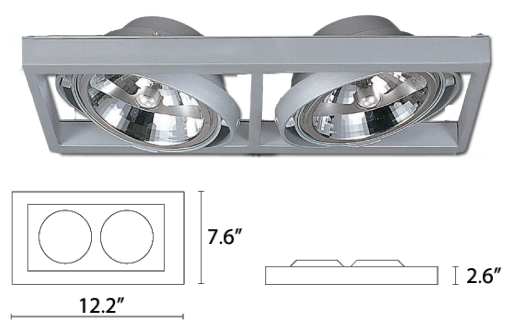
### Features:

- Extruded aluminum frame
- Double gimbal ring
- Accessory holder
- Custom colors available
- **Standard wire length: 59"**, field-adjustable to shorter lengths

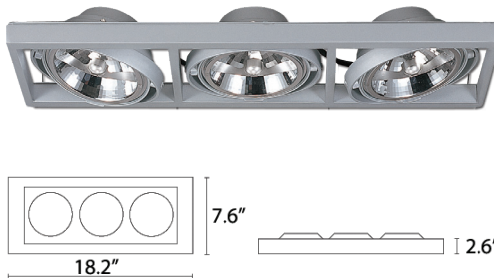
**LEDP-AR111-S**



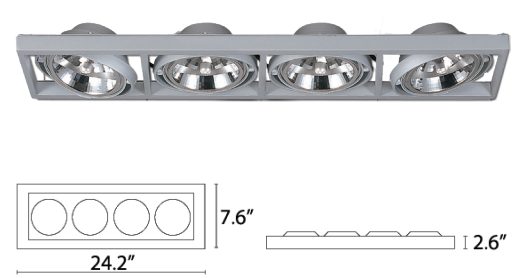
**LEDP-AR111-2**



**LEDP-AR111-3**



**LEDP-AR111-4**



Lamp Type	Watts	CRI	Lumens*
Brilliant	18.5	85 (R9=0)	1280
Vivid	18.5	95 (R9=95)	1000

\* Lumens vary depending on color temperature - results for 3000K lamp used above.

### Ordering Matrix

Model	Configuration	CRI	Color Temperature	Wire Length	Color	Accessories
<b>LEDP-AR111</b>	S=Square (4 Lamps) 2 = 2 Lamps 3 = 3 Lamps 4 = Linear (4 Lamps)	95 85	27 = 2700K 30 = 3000K 40 = 4000K	Specify in Inches	S=Silver CC=Custom Color	See Accessory Options for Ordering Codes

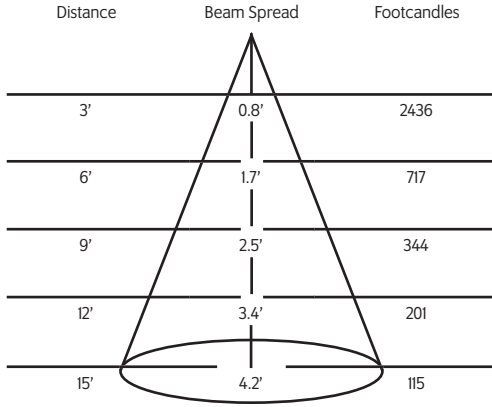
\* All fixtures sold with 9° beam angle lamps – use Beam Spreaders to achieve desired angle.

**Example:** LEDP-AR111-4-95-27-S-01145

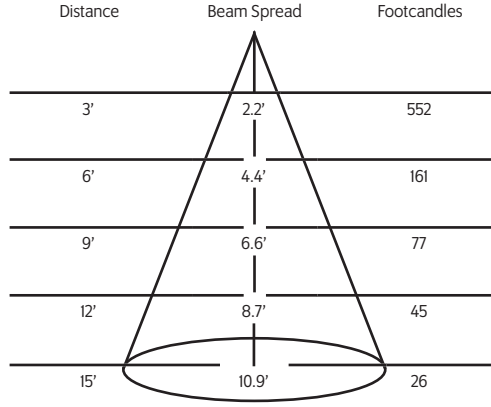
LEDP-AR111- \_\_\_\_\_ - \_\_\_\_\_ - \_\_\_\_\_ - \_\_\_\_\_ - \_\_\_\_\_

## Photometric Data

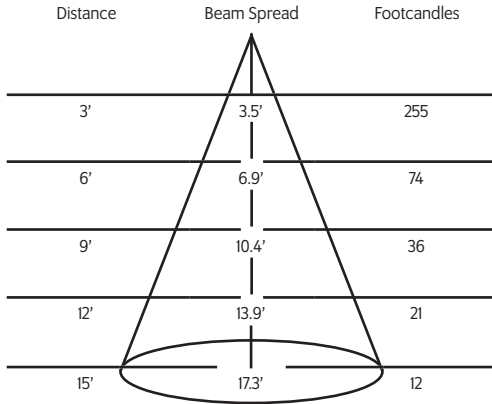
### 9° Degree Beam



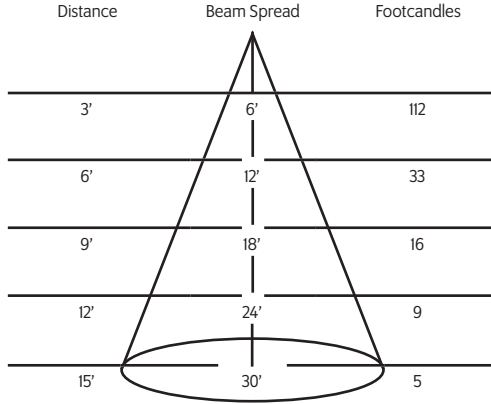
### 25° Degree Beam



### 36° Degree Beam



### 60° Degree Beam



\*Beam spread calculated based on field diameter.

## Snap Accessories

- 01145** 25° Beam Spreader Snap
- 01147** 36° Beam Spreader Snap
- 01149** 60° Beam Spreader Snap
- 01595** 10°-36° Linear Snap
- 03261** 10°-60° Linear Snap
- 01597** 36°X36° Flat Top Snap
- 01151** 40° Cutoff Louver
- 03257** 20° Maximum Deflection Snap
- 01153** ¼ Color Temperature Shift Snap
- 01155** ½ Color Temperature Shift Snap
- 01157** ¾ Color Temperature Shift Snap
- 03283** Enhance Snap
- 02185-C** Color Snap (Specify Color)

## IES Files

Visit [tslight.com](http://tslight.com) to find comprehensive IES data.

## Finish

- S** Silver
- CC** Custom Color