



# MOSAIC Pendant



5 Holt Drive  
Stony Point, NY 10980  
845-947-3034  
www.tslight.com

## Color Mixing - Tunable White

The Mosaic Pendant features tunable color with a high CRI output. It also features tunable white from 1800K - 6500K. Rich blues, ambers, reds, violets and greens can be added in gradients or can completely saturate the output of the light. Interchangeable reflectors allow beam angles between 10° and 60°. This fixture is perfect for retail applications such as car dealerships and clothing stores but is equally well suited for illuminating artwork or using it in an archtainment setting.

- 2000 Lumen Output
- 5 DMX Channels
- **Color Tuning:** RGB+ Intensity+ CCT
- **Tunable range:** 1800K-6500K tunable white
- 84 - 95 CRI
- Dimmable from 100 - 0.1% at constant CCT
- <2 MacAdam ellipse over 50,000 hour life
- Casambi Available

Manufactured in the USA - IBEW



## Power

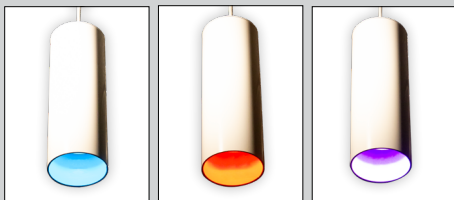
- **Power Consumption:** 31W
- **Max. Operating Temp:** 104°F (40°C) ambient
- 90-305 VAC, 50/60 Hz
- Do not install on a circuit containing a dimmer.
- DMX Addressing is RDM-only.

## Optics

- 10°, 20°, 40° or 60° field-changeable reflectors

## Weight

- **Weight:** 5 lbs.



## Emitter 5-Year Warranty

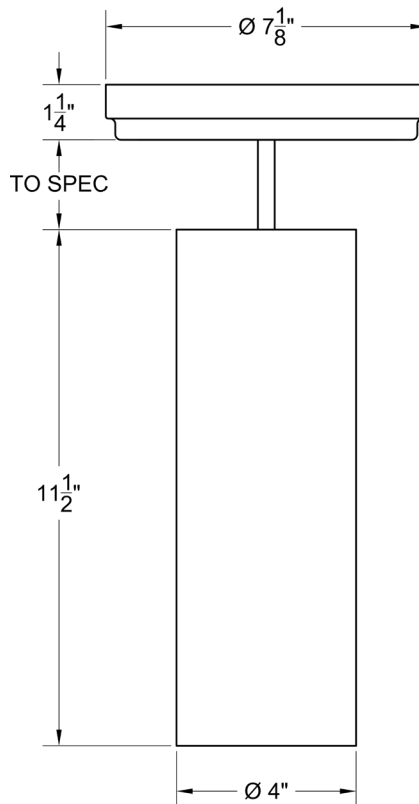
The warranty on the LED Emitter used in this Times Square Lighting product shall have a five year warranty from the date of purchase.



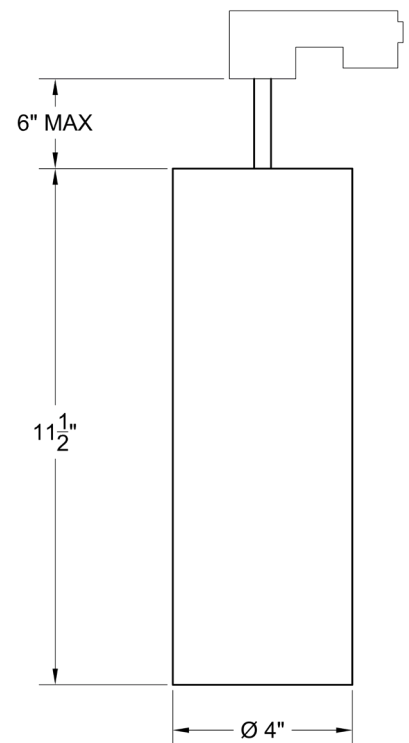
COLORMIX

\*Specification sheets are subject to change without notice.

WITH DXTC CANOPY



WITH TRACK ADAPTER



## Ordering Matrix

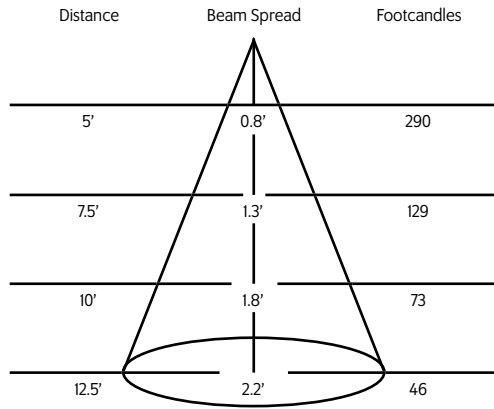
Model	Finish	Optics	Mounting	Dimming	Stem Length
PCT23	B - Black W - White S - Silver CC - Custom Color	10 = 10° 20 = 20° 40 = 40° 60 = 60°	See Mounting Options	DX = DMX / RDM CS = Casambi Wireless	SP12 = 12" Stem SP18 = 18" Stem SP24 = 24" Stem SPX = Custom Stem (in inches)

**Example:** PCT23-B-60-DXTC-DX-SP12

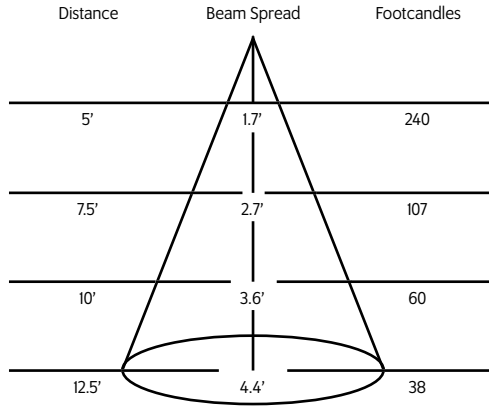
PCT23 - \_\_\_\_\_ - \_\_\_\_\_ - \_\_\_\_\_ - \_\_\_\_\_ - \_\_\_\_\_

## Photometric Data 4000° K 95CRI

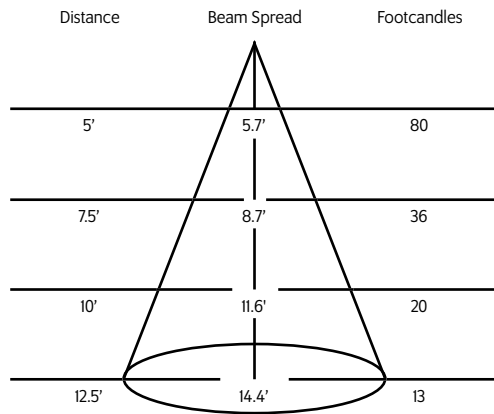
### 10° Spot Reflector



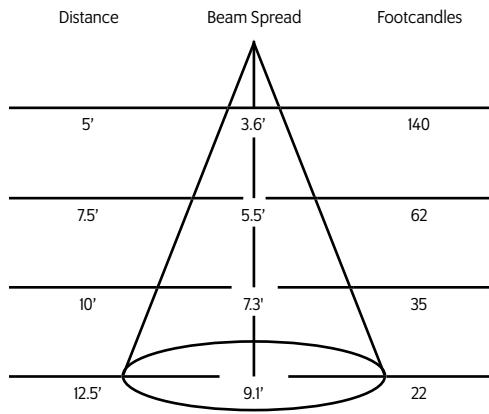
### 20° Spot Reflector



### 60° Flood Reflector



### 40° Medium Flood Reflector



## Mounting Options

### DT2

Track adapter for SpecTrack 2-Circuit data track. 120V.

### HDT2

Track adapter for SpecTrack 2-Circuit data track. 277V.

### DXTC

Canopy mount with terminal block for DMX. (DMX stem mount only).

### GAC

Track adapter for 120V global pulse track.

### CM4

Canopy mount (Casambi Wireless only).

## Accessories

### X00517

Accessory Holder

### LV18\*

Honeycomb Louver

### OF22-9101\*

Smoothing Frost Filter

### GF22-600\*

5x50 Linear Lens

### GF22-601\*

Solite Softner

### GF22-673\*

50 x 50 Spread Lens

\* X00517 Required, not compatible with 10° reflector option.

## Calibrated CCT Specs:

CCT [K]	Typical CRI
1800 (min)	90
2700	93
3000	95
3500	95
4000	93
6500 (max)	84

\* For notes on dimming, please [click here](#).