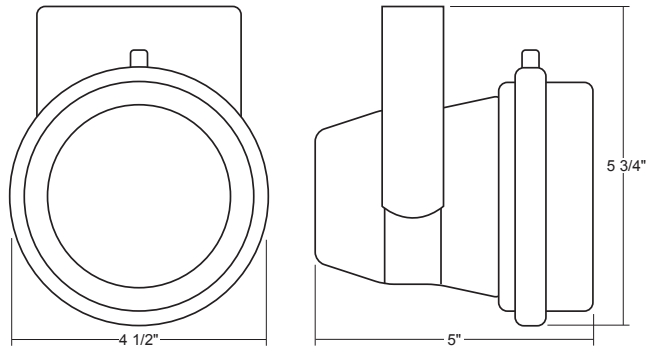




The SB30 is ideal for short throw lighting in galleries, museums, retail and residential applications. Equipped with an internal self-locking yoke and accessory holder that accepts louvers, barndoors, hoods and filters. Comes in standard black, white and silver finishes.

FEATURES

- Accepts short neck PAR30 lamps and LEDs.
- Internal self-locking yoke.
- Numerous mouting options and accessories.
- Weight: 1.4 lbs.



MODEL NUMBER	FINISH	MOUNTING	ACCESSORIES
SB30	B Black W White S Silver CC Custom Color	<p>AD1 Track Adapter. 1 Circuit track. 120V. TA1 Track Adapter. E-Series. 1 Circuit. 120V. TA2 Track Adapter. G-Series. 2 Circuit. 120V. TA3 Track Adapter. G-Series. 3 Circuit. 120V.</p> <hr/> <p>CM4 Canopy Mount.</p> <hr/> <p>US1 6 5/8" x 1 1/2" Unistrut Adapter.</p> <hr/> <p>TB4 6 1/4" Portable Wall Mount/Table Base Floor.</p> <hr/> <p>MC Light Duty Pipe Clamp. For pipes up to 15/16" O.D. MN Medium Duty Pipe Clamp. For pipes up to 2" O.D.</p>	<p>LV6 Louver XL6 Cross Baffle Louver BD10 Barndoor HD6 Hood XH6 Cross Baffle Hood SH6 Sparkle Hood CF10 Color Frame GF10 Glass Color Filter DF10 Dichroic Color Filter GF10-600 5°x50° Linear Lens GF10-601 Beam Softener GF10-673 50°x50° Spread Lens GF10-702 UV Blocking Filter CC18 Coiled Cord SC-24 Safety Cable IP Integral Dimmer WL Wrench Locking</p>

EXAMPLE: SB30 - B - TA2 - HD6

MODEL NUMBER	FINISH	MOUNTING	ACCESSORIES
SB30			