



KL Fresnel FC

80W Full Spectrum RGBMA LED 4" Fresnel w/ Zoom



5 Holt Drive
Stony Point, NY 10980
845-947-3034
tslight.com

The KL FRESNEL 4 FC™ is a full-color-spectrum LED fixture that provides high output, precise color temperature control, full-spectrum color rendering, and even wash coverage. Optimized for the tunable white light requirements of Film and Television, it is an ideal key and fill light source for many situations requiring outstanding performance and color quality, while offering a wide array of rich saturated colors and subtle pastels.

The KL FRESNEL 4 FC incorporates a highly efficient 5-in-1 (RGBMA) LED engine with a manual zoom range of 10° to 40°. The incorporation of Elation's ColourTune Technology ensures outstanding color rendering quality, precise CCT control, and Fidelity Selection Options. Remotely adjustable LED refresh frequency makes this unit the perfect choice for today's fast-paced production environments. Rugged and portable, the fixture can be mounted on a stand or suspended using any standard clamp. It is fully self-contained without the need for an external power supply and offers locking power pass-through for easy linking of multiple units.

The KL FRESNEL 4 FC can be operated through industry-standard DMX protocols and has full RDM support. In addition, it offers manual access using the included encoders and display, providing instant control of Intensity, Color temperature, Green shift, and other important settings. The display and encoders are conveniently positioned at the bottom side of the fixture to ensure unobstructed access while mounted on a stand.

Size / Weight

- **Length:** 7.5"
- **Width:** 12.3"
- **Vertical Height:** 8.8"
- **Weight:** 8.4 lbs.

Source

- 80W 6000K RGBMA LED Engine
- 50,000 Hour Average LED Life*

* May vary depending on several factors including but not limited to: Environmental Conditions, Power/Voltage, Usage Patterns (On-Off Cycling), Control and Dimming.

Included Items

- Gel Frame
- 8-leaf Barn Doors
- IP65 Locking Power Cable
- Safety Cable

Electrical / Thermal

- AC 100-240V - 50/60Hz
- 85W Max Power Consumption
- **Power Thru Capacity:** @110V: 15 units;
- @240V: 29 units
- 5°F to 113°F (-15°C to 45°C)
- BTU/hr (+/- 10%) 289.85

Features

- 80W RGBMA LED Engine
- ColourTune Technology Software Integration
- 2226 Total Fixture Lumen Output (Sphere)
- 10° to 42° Wide Manual Zoom
- Stand-Alone control with Encoder and LED Display
- Smooth 16-bit Selectable Dimming Modes and Curves
- LED Refresh Rate Adjustment
- Flicker Free Operation for TV and FILM
- RDM (Remote Device Management)
- 8-leaf Barn Doors and Gel Frame Included

Photometric Data

- **Total Lumen Output:** 2226 (Integrating Sphere)
- **CRI:** 92.2
- **Zoom Range:** 10° - 40°
- **Beam Angle:** 10° - 42.6°
- **Field Angle:** 17.4° - 68.6°

Color

- High Brightness and High Fidelity Output Options
- RGBMA Color Array
- CMY Emulation
- 16bit Fully Variable CCT 2400K - 8500K
- Green/Magenta Shift
- Dim-to-Warm Fade
- Virtual Gel Swatch Book

Effects

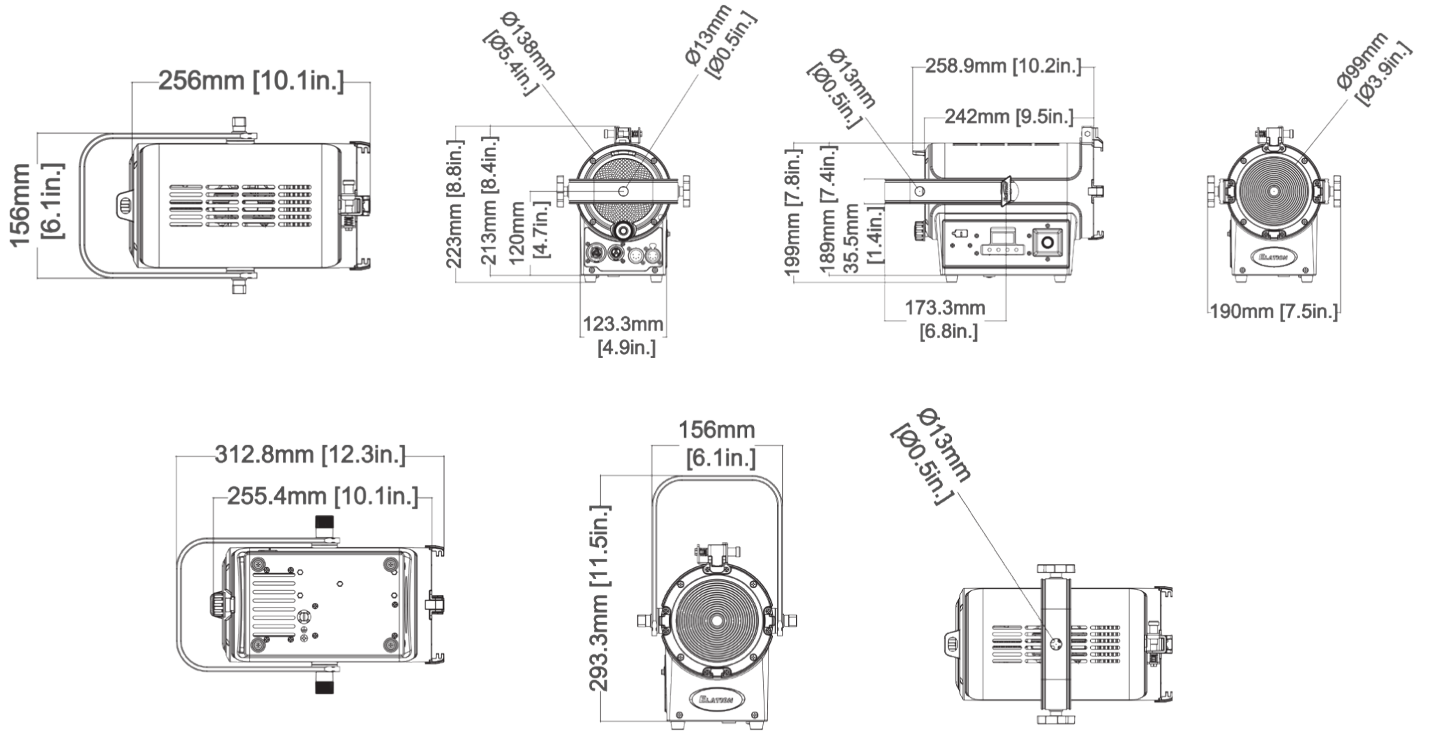
- Manual Zoom
- Electronic Dimmer and Strobe
- Variable 16-bit Dimming Modes and Curves

Control / Connections

- 9 DMX Channel Modes (1, 2, 6, 11, 18, 19, 9, 14, 15)
- Manual and DMX Controlled Dimmer, Color
- Direct Access Encoder
- 4 Button Control Panel, LED Display
- RDM (Remote Device Management)
- 3/5pin DMX and IP65 Locking Power In/Out Connection

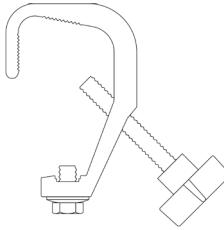
Approvals

CE | cETLus | IP20 | FCC | UKCA

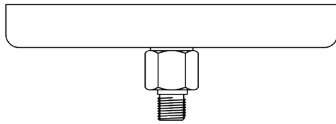


Mounting Options

MNB Clamp for pipe up to 2" OD



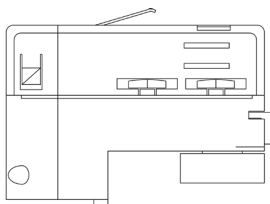
CM4 Canopy for mounting to J-box



US1 Unistrut mount



DT2 Track adapter (2 Required)



Accessories



WINT-DMX

DMX transmitter 1000 ft. range (line of sight)

WINR-DMX

DMX receiver 1000 ft. range (line of sight)