

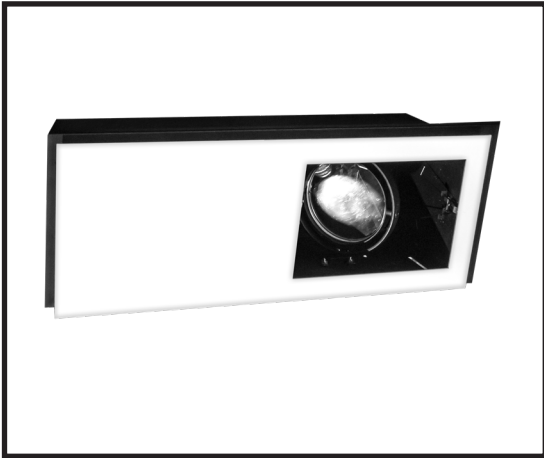
LED21PM CHELSEA RECESSED

PATTERN AND FRAMING PROJECTOR

MANUFACTURED IN THE UNITED STATES - IBEW



PRODUCT LISTED
BY A NATIONALLY
RECOGNIZED
TESTING
LABORATORY



An ideal pattern and framing projector for low ceiling applications, the Chelsea Recessed installs flush with the ceiling line to create a clean look. The removable trim plate allows for effortless pattern installation, aiming and shuttering. Once your desired look is achieved, simply re-install the trim plate. The mirror within the unit is on an X and Y axis and each lens tube has a maximum pan and tilt listed within the specification sheet.

The Chelsea Recessed can project stock or custom patterns in both glass and stainless steel. Four shutters are included with the unit for framing purposes, and a wide range of dimming options is also available.

FEATURES

- 100-277 Volt available
- 50,000 hour lamp life
- Framing shutters included
- Stock or custom, steel or glass patterns
- Dimmable (optional)
- Numerous accessories available

CONSTRUCTION

- Aluminium and steel pattern and framing projector with black finish
- Accessory slot for color glass
- Internal framing shutters
- Accepts Z-size glass or metal gobo
- Accepts up to 2 accessories
- Weight: 16 lbs.

ELECTRICAL

- 21 watt power consumption
- Integral electronic driver
- Meets FCC 47 CFR Part 15/18 Requirements

DIMMING

- 21 watt power consumption
- Integral electronic driver
- Meets FCC 47 CFR Part 15/18 Requirements

OPTICS

- 19° and 26° Lens Tubes available

TRIM

- Available as black, white or custom color

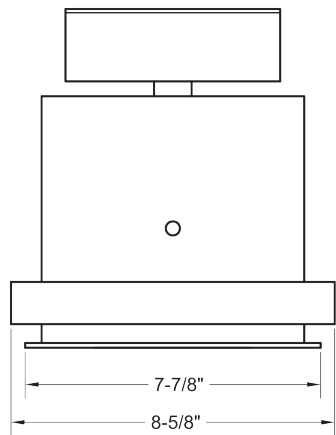
LED21PM CHELSEA RECESSED

PATTERN AND FRAMING PROJECTOR

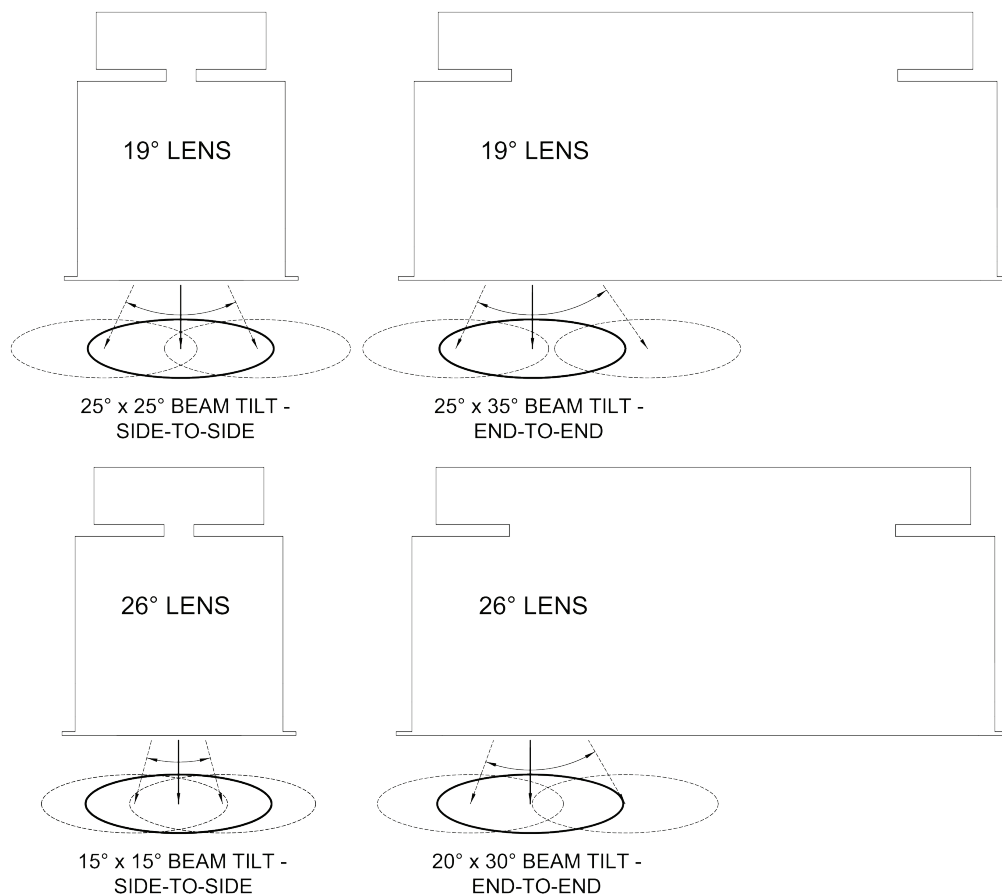
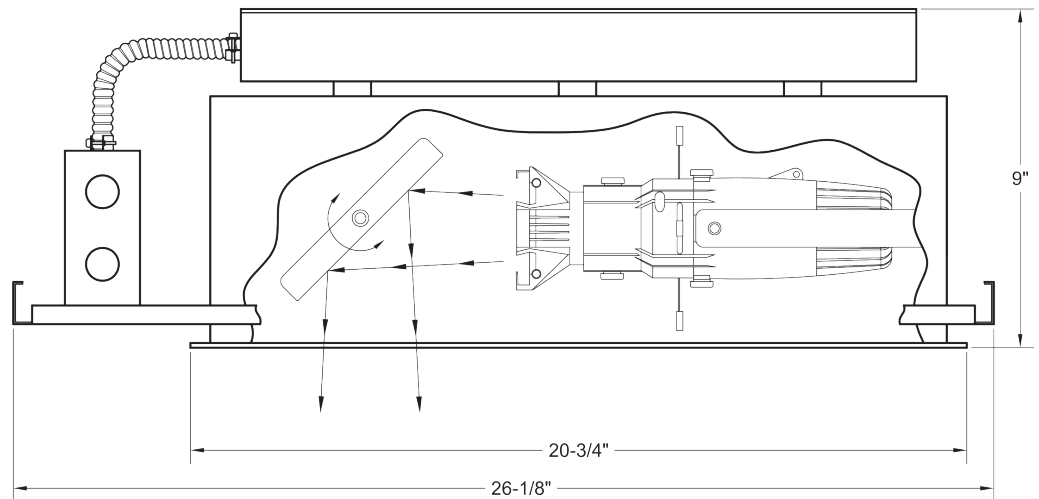
MANUFACTURED IN THE UNITED STATES - IBEW



PRODUCT LISTED
BY A NATIONALLY
RECOGNIZED
TESTING
LABORATORY



Ceiling Cut-Out:
7-1/16" x 19-7/8"



PHOTOMETRIC DATA

19° Lens Tube			26° Lens Tube		
Distance	Beam Spread	Footcandles	Distance	Beam Spread	Footcandles
5'	1'8"	412	5'	2'3"	224
10'	3'4"	103	10'	4'7"	56
15'	5'	46	15'	6'11"	25
20'	6'8"	26	20'	9'3"	14

ACCESSORIES

SP1	Stock Pattern Steel
CP1	Custom Steel Pattern
PH2	Pattern Holder
4MCF	Color Frame
4MDN	Donut

NOTES ON DIMMING

Visit tslight.com or scan the QR Code.



LED21PM CHELSEA RECESSED

PATTERN AND FRAMING PROJECTOR

MANUFACTURED IN THE UNITED STATES - IBEW



PRODUCT LISTED
BY A NATIONALLY
RECOGNIZED
TESTING
LABORATORY

SPECIFY:

MODEL	INSIDE FINISH	TRIM FINISH	FIXTURE FINISH
LED21PM	B = Black W = White	B = Black W = White	B = Black W = White
VOLTAGE	OPTICS	DIMMING	ACCESSORIES
120 277	19 = 19° Degree 26 = 26° Degree	TE = Trailing Edge (120V Only) LE = Leading Edge (120V Only) ND = Non-Dimming 010 = 0-10V DMX = DMX Basic	See Accessory Options for Ordering Codes

Maximum Operating Temperature: 35° C • Maximum Operating Angle: 45° from Vertical

ORDERING INFORMATION

PROJECT:	
LOCATION:	
QUANTITY:	
CONTACT:	
PHONE:	
EMAIL:	

EXAMPLE: LED21PM-B-B-B-120-19-TE-SP1

MODEL	INSIDE FINISH	TRIM FINISH	FIXTURE FINISH	VOLTAGE	OPTICS	DIMMING	ACCESSORIES
LED21PM							