



Manufactured in the USA - IBEW



### Power

- **Power Consumption:** 31W per cell, 124W total
- **Max. Operating Temp:** 104°F (40°C) ambient
- 90 - 305 VAC, 50/60 Hz
- Do not install on a circuit containing a dimmer.
- DMX Addressing is RDM-only.

### Optics

- 10°, 20°, 40° or 60° field-changeable reflectors

### Weight

- **Weight:** 8 lbs.

### Emitter 5-Year Warranty

The warranty on the LED Emitter used in this Times Square Lighting product shall have a five year warranty from the date of purchase.



**COLORMIX**

\* Specification sheets are subject to change without notice.

# Mosaic Multi-Cell

## Color Mixing - Tunable White Linear Fixture



5 Holt Drive  
Stony Point, NY 10980  
845-947-3034  
info@tslight.com

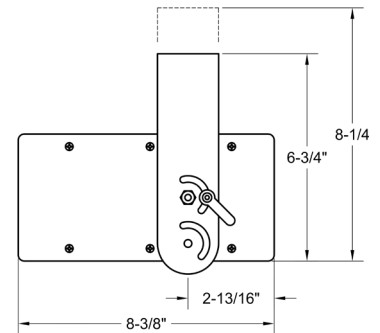
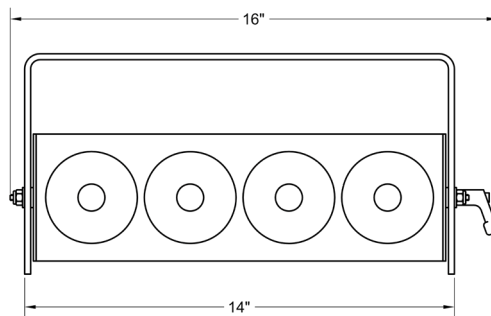
The Mosaic Multi-Cell is a 124-watt unit featuring ColorMix technology and DMX control. It is available with a variety of beam angles and has a total output of 8,000 lumens.

The Mosaic Multi-Cell features convection cooling, a robust yoke suitable for a variety of mounting methods.

The Mosaic Multi-Cell features tunable color with a high CRI output. It also features tunable white from 1800K - 6500K. Rich blues, ambers, reds, violets and greens can be added in gradients or can completely saturate the output of the light. Interchangeable reflectors allow beam angles between 10° and 60°.

This fixture is suitable for a variety of archtainment settings, including houses of worship and auditoriums.

- 2000 Lumen Output
- 5 DMX Channels
- **Color Tuning:** RGB+ Intensity+ CCT
- **Tunable range:** 1800K-6500K tunable white
- 84 - 95 CRI
- Dimmable from 100 - 0.1% at constant CCT
- <2 MacAdam ellipse over 50,000 hour life
- Casambi Available



# of Lamps	Total Wattage	Delivered Lumens
LCT23-4	124W	8000

### Ordering Matrix

Model	# of Lamps	Finish	Optics	Dimming
LCT23	4 = 4-Linear	B = Black W = White S = Silver CC = Custom	10 = 10° 20 = 20° 40 = 40° 60 = 60°	DX = DMX / RDM CS = Casambi Wireless

**Example:** LCT23-4-B-40-DX

LCT23 - \_\_\_\_\_ - \_\_\_\_\_ - \_\_\_\_\_ - \_\_\_\_\_

## Accessories

---

**SC024** Safety Cable

**PC9M** Heavy duty pipe clamp for large, heavy fixtures. For pipes up to 2" O.D. (Casambi Wireless only)

**USI** 6<sup>5</sup>/<sub>8</sub>" x 1<sup>1</sup>/<sub>2</sub>" Unistrut Adapter (Casambi Wireless only)

## Calibrated CCT Specs:

---

CCT [K]	Typical CRI
1800 (min)	90
2700	93
3000	95
3500	95
4000	93
6500 (max)	84

---

\* For notes on dimming, please [click here](#).