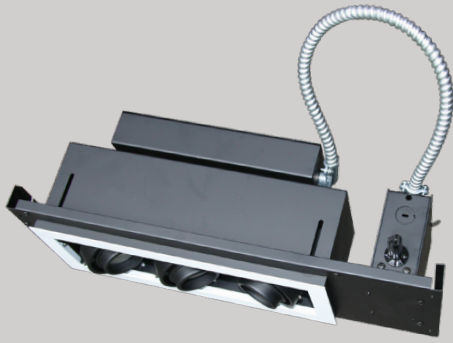


# AR111R 6-50W

## Specification Sheet - New Construction



5 Holt Drive,  
Stony Point, NY 10980  
845-947-3034  
info@tslight.com

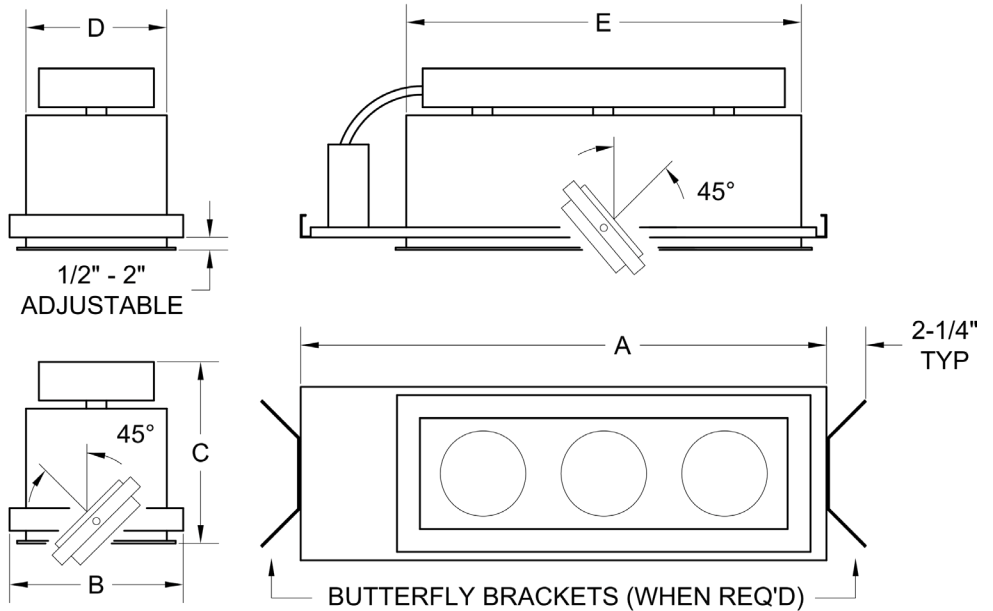


Manufactured in the USA - IBEW



### Features

- Use with electronic low voltage (ELV) Dimmer only (AKA Trailing Edge and Reverse Phase).
- Available in 1 to 4-light linear configurations
- Blends into the ceiling and can be installed with or without trim
- Each Lamp Holder is individually mounted for pan and tilt
- Easy front relamping
- Accepts a variety of lenses and accessories
- Integral Thermal Protection
- Adjustable trim with torsion springs for ceilings up to 2" thick
- Adjustable butterfly mounting brackets included (additional mounting hardware provided by others)
- Fully enclosed wiring compartment
- Black, white and silver trims available - custom colors upon request
- Inside finish: Black
- 120 or 277V versions available.



Model #	Length	Width	Height	Ceiling Cut-Out	
	(A)	(B)	(C)	(D)	(E)
AR111R-1	14 <sup>3</sup> / <sub>8</sub> "	8 <sup>3</sup> / <sub>4</sub> "	7 <sup>3</sup> / <sub>4</sub> "	7 <sup>1</sup> / <sub>16</sub> "	8"
AR111R-2	20 <sup>1</sup> / <sub>4</sub> "	8 <sup>3</sup> / <sub>4</sub> "	7 <sup>3</sup> / <sub>4</sub> "	7 <sup>1</sup> / <sub>16</sub> "	13 <sup>7</sup> / <sub>8</sub> "
AR111R-3	26 <sup>1</sup> / <sub>8</sub> "	8 <sup>3</sup> / <sub>4</sub> "	7 <sup>3</sup> / <sub>4</sub> "	7 <sup>1</sup> / <sub>16</sub> "	19 <sup>7</sup> / <sub>8</sub> "
AR111R-4	32 <sup>1</sup> / <sub>8</sub> "	8 <sup>3</sup> / <sub>4</sub> "	7 <sup>3</sup> / <sub>4</sub> "	7 <sup>1</sup> / <sub>16</sub> "	25 <sup>3</sup> / <sub>4</sub> "

### Ordering Matrix

Model	# of Lamps	Voltage	Trim Finish
AR111R	1 = 1-Linear 2 = 2-Linear 3 = 3-Linear 4 = 4-Linear	120 = 120V 277 = 277V	B = Black W = White S = Silver CC = Custom

Ambient temperature: 35°C

**Example:** AR111R-3-120-W

AR111R-\_\_\_\_\_ - \_\_\_\_\_ - \_\_\_\_\_

\*Specification sheets are subject to change without notice.

### 1-Linear AR111R-1



### 2-Linear AR111R-2



### 3-Linear AR111R-3



### 4-Linear AR111R-4



**NOTE:** These fixtures are not IC or Chicago Plenum Rated.

### LED Lamp Types

<b>01379</b>	12.5W 95 CRI 2700K 8°
<b>01395</b>	12.5W 95 CRI 3000K 8°

### Accessories

<b>GF36</b>	Colored Glass
<b>GF36-601</b>	Beam Softener
<b>GF36-600</b>	5°x50° Linear
<b>GF36-673</b>	50°x50° Spread
<b>GF36-702</b>	UV Blocking
<b>HD36</b>	Snoot
<b>XH36</b>	Cross Baffle

### Snap Accessories

<b>01145</b>	25° Beam Spreader Snap
<b>01147</b>	36° Beam Spreader Snap
<b>01149</b>	60° Beam Spreader Snap
<b>01595</b>	10°-36° Linear Snap
<b>03261</b>	10°-60° Linear Snap
<b>01597</b>	36°X36° Flat Top Snap
<b>01151</b>	40° Cutoff Louver
<b>03257</b>	20° Maximum Deflection Snap
<b>01153</b>	¼ Color Temperature Shift Snap
<b>01155</b>	½ Color Temperature Shift Snap
<b>01157</b>	¾ Color Temperature Shift Snap
<b>03283</b>	Enhance Snap
<b>02185-C</b>	Color Snap (Specify Color)