



Tavolo 5° Luminaire

900 Lumen Max Track Light



5 Holt Drive,
Stony Point, NY 10980
845-947-3034
info@tslight.com

The Tavolo features a high-CRI output and can accommodate numerous accessories. It allows the lighting designer to add glare reduction with louvers, barndoors, or snoots. The twist-lock TIR optic provides a tight 5° spot. **All dimming options go to 1% of total output.**

Manufactured in the USA - IBEW

PRODUCT LISTED
BY A NATIONALLY
RECOGNIZED
TESTING
LABORATORY



Electrical

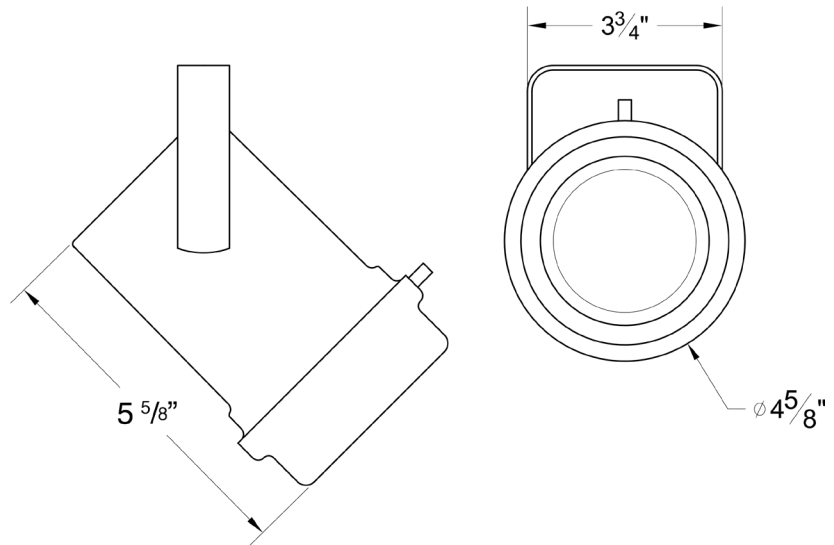
- Integral electronic driver
- 100-277V, 50/60Hz
- Meets FCC 47 CFR Part 15/18 Requirements

Construction

- Steel & aluminum housing with black, white or silver finish
- Accepts up to 3 accessories
- Weight: 3 lbs.

Dimming

- **1% dimming for LE, TE and 0-10V.**
- Trailing edge (ELV): 120V only
- Leading edge (Triac): 120V only
- 0-10V: 120 or 277 ControlTrac or Canopy Mount Only
- **Lutron:** Consult Factory for details.



LED

- Cree XLamp LED array
- Color temp options: 2200K, 2700K, 3000K
- CRI: 92 CRI
- Lumen maintenance: 90% of initial lumen output at 50,000 hours on LM-80 testing
- No UV or IR

Model	CRI	Total Wattage	Delivered Lumens	Efficacy (Lm/W)
TV9	90	10	900	90

*Total wattage equals LED plus driver. Delivered lumen may vary depending on LED module, color temperature, optics, and accessories. Testing done with 3000K LED array.

Optics

- 5° Very narrow spot produced by TIR (total internal reflection) optic.

Ordering Matrix

Model	Lumens	CRI	Color Temp	Finish	Voltage	Optics	Mounting	Dimming*	Accessories
TV	9 = 900	92	27 = 2700K 30 = 3000K	B = Black W = White S = Silver CC = Custom Color	120 240 277	5 = 5° Very Narrow Spot	See Mounting Options	TE = Trailing Edge LE = Leading Edge 010 = 0-10V ND = Non- Dimming	See Accessory Options

Maximum ambient temperature: 35°C
Maximum operating angle: 45° from vertical

* See "Notes on Dimming" on reverse

Example: TV9-9027-B-120-5-TA2-TE

TV - _____

Photometrics

Distance	5° TIR	
	Beam Spread	Footcandles
		TV9
5'	5.2"	1204
7.5'	8.0"	536
10'	10.4"	301
12.5'	13.1"	193
15'	15.6"	134
17.5'	18.3"	98
20'	20.8"	75

Accessories

LV6	Louwer
XL6	Cross Baffle Louwer
BD10	Barndoor
HD6	Hood
XH6	Cross Baffle Hood
SH6	Sparkle Hood
CF10	Color Frame
GF10	Glass Color Filter
DF10	Dichroic Color Filter
GF10-600	5°x50° Linear Lens
GF10-601	Beam Softener
GF10-673	50°x50° Spread Lens
GF10-702	UV Blocking Filter
CC18	Coiled Cord
SC-24	Safety Cable
IP	Integral Dimmer
WL	Wrench Locking

Extension Wands

SP 12	12" Stem
SP 18	18" Stem
SP 24	24" Stem
SP X	Custom Length

Mounting Options

DT2 2-Circuit track adapter for SpecTrack Databus. 120V.

HDT2 Track adapter for SpecTrack 2-Circuit data track. 277V.

ADI Track Adapter for commercial grade 1 & 2 circuit track. 120V. For use with larger, heavier fixtures.

TA2 Track adapter for G-Series specification grade 2-circuit track. 120V.

HTA2 Track adapter for G-Series specification grade 2-circuit track. 277V.

TA3 Track adapter for G-Series specification grade 3-circuit track. 120V.

CM1 Canopy Mount

US1 6⁵/₈" x 1¹/₂" Unistrut Adapter

TB4 4" x 4" Portable table base for floor and table use

MC Light duty pipe clamp for small fixtures. For pipes up to 1 5/16" O.D.

MN Medium duty pipe clamp for small to large fixtures. For pipes up to 2" O.D.

* For notes on dimming, please [click here](#).