

## **LINEAR CANOPY WITH FIXTURES INSTALLATION INSTRUCTIONS - SAVE THESE INSTRUCTIONS**

### **OBSERVE ALL SAFETY AND OPERATING INSTRUCTIONS BELOW:**

**Caution!** Read and understand these entire instructions before proceeding!

**Warning!** All electrical installations must be done according to local codes or the National Electric Code (NEC), whichever applies.

**Warning! Risk Of Fire!** MOST DWELLINGS BUILT BEFORE 1985 HAVE SUPPLY WIRE RATED FOR 60°C! This fixture requires supply wires rated for 75°C minimum. INSTALLATION MUST BE PERFORMED BY QUALIFIED PERSONNEL ONLY!

**Warning!** Disconnect power at circuit breaker or fuse box BEFORE installing the fixture.

**Warning!** Do not connect this luminaire to an electrical system that does not provide a means for equipment grounding. INSTALLING A LUMINAIRE INTO AN ELECTRICAL SYSTEM NOT PROVIDED WITH A GROUNDING MEANS COULD ALLOW ALL METAL PARTS OF THE LUMINAIRE TO CARRY ELECTRICAL CURRENT IF ANY OF THE WIRES, WIRE CONNECTIONS, SPLICES OR COMPONENTS BECOME BROKEN, CUT, LOOSE, OR OTHERWISE DAMAGED DURING INSTALLATION OR NORMAL USE. THIS CONDITION COULD LEAD TO ELECTRICAL SHOCK AND COULD CAUSE SERIOUS INJURY OR DEATH! THE SAME WARNING APPLIES FOR AN IMPROPERLY GROUNDED LUMINAIRE!

**Warning!** Do not suspend this luminaire by the electrical feed wires. Mount to an electrical outlet box according to these instructions and the materials included. Insure that the box is properly attached to the building structure using a means acceptable to local codes or the National Electric Code (NEC). FAILURE TO PROPERLY INSTALL THE LUMINAIRE MAY RESULT IN THE LUMINAIRE FALLING, THEREBY CAUSING PERSONAL INJURY, AS WELL AS THE DANGER OF ELECTRICAL SHOCK OR FIRE!

**Warning!** Do not use this fixture if there are any damaged wires, cords or other parts.

**Caution!** When installing this luminaire on a circuit containing a dimmer, make certain that the fixture has a dimmable driver. Insure that the dimmer is properly rated for the load (wattage) and is of the correct type (leading edge, trailing edge, etc). If this luminaire contains a non-dimmable driver, DO NOT install it on a circuit containing a dimmer. Damage to the luminaire may result.

**Caution!** This unit is to be installed in DAMP or DRY locations only. Always store indoors.

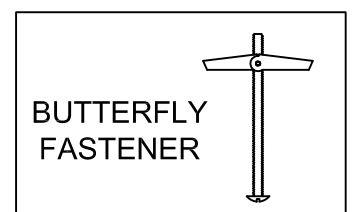
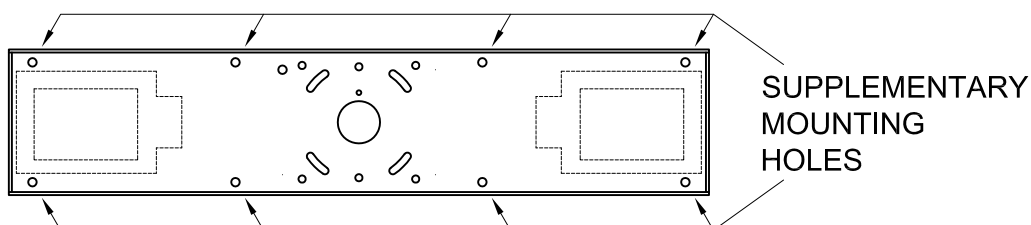
**Caution!** Do not use this fixture in any way for which it was not intended.

**Caution!** Keep fixture vent slots free from dust and debris.

**Caution!** Maximum ambient operating temperature is 40°C (104°F).

1) Remove the canopy cover (with fixtures attached) from the base and set the cover and screws aside.

2) Mount the canopy base to the junction box (by others) using the screws provided with the junction box. If additional support is required, use the provided butterfly fasteners and/or other non-provided hardware such as screws, anchors, and the like. Supplementary mounting holes are provided along the long edges of the base as shown. Other mounting holes may be added if necessary.

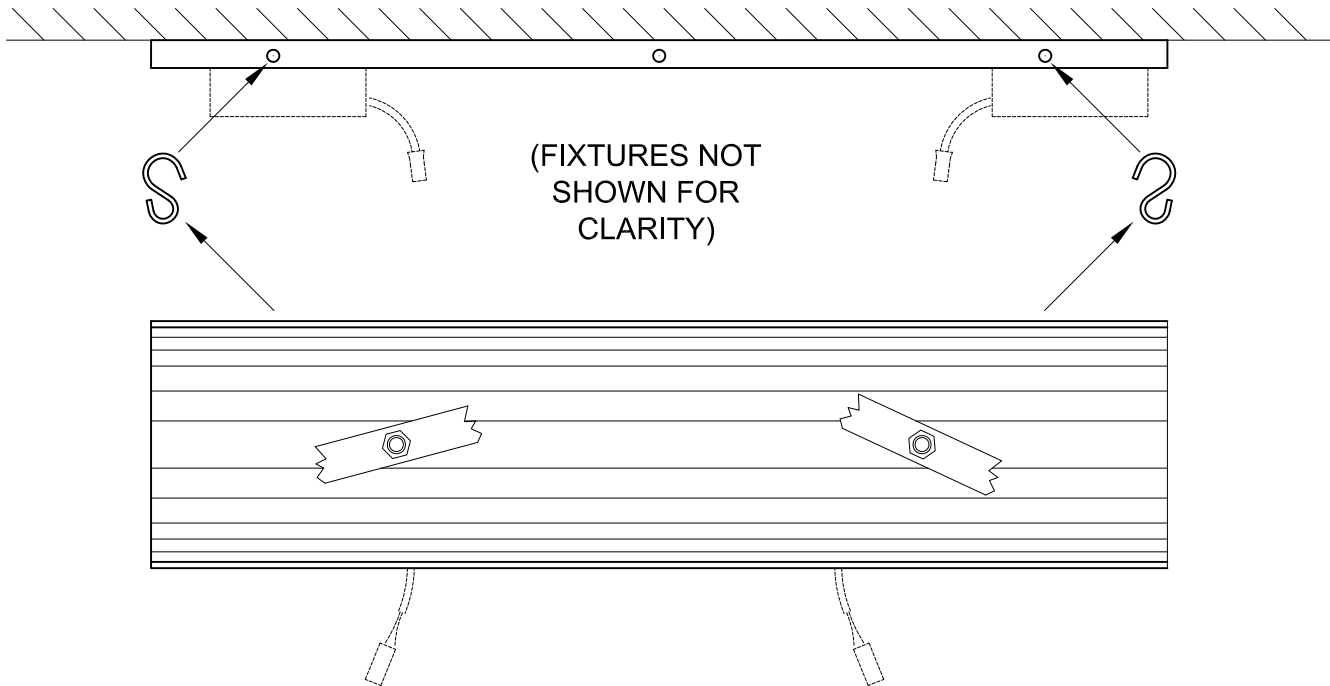


3) Make all electrical connections. Refer to the table below for wire identification.

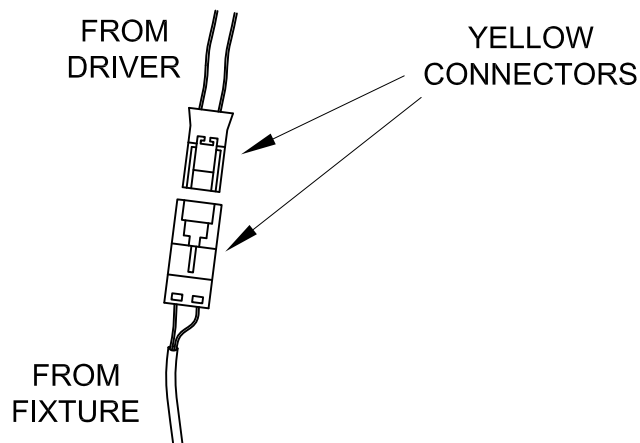
BLACK (or BROWN) to HOT,  
WHITE (or BLUE) to NEUTRAL,  
GREEN to GROUND,

If required for 0-10V dimming  
VIOLET to [ + ] (usually violet)  
PINK to [ - ] (usually grey or pink)

4) Using the 2 hooks provided, hang the cover (with fixtures attached) to the base as shown.



5) Locate the YELLOW CONNECTOR attached to the cable from each fixture and the YELLOW CONNECTOR attached to that fixture's respective driver. Push the two YELLOW CONNECTORS together until they "click" (see Diagram, below).



6) Attach the cover using the screws removed from Step 1.