

TUDOR

LED PATTERN PROJECTOR

MANUFACTURED IN THE UNITED STATES - IBEW



PRODUCT LISTED
BY A NATIONALLY
RECOGNIZED
TESTING
LABORATORY



The Tudor is a powerful LED pattern projector that utilizes the 4000K CREE XLamp LED array. This unit will deliver a powerful, crisp projection for longer throw applications, all while staying within a fixture size that is capable of being both track and canopy mounted. A wide selection of standard patterns (gobos) are available. Custom patterns are also available by simply sending us a PDF of your desired pattern via email.

LED SPECIFICATIONS

- Color Temperature: 4000K
- CRI: 80
- CREE XLamp LED array
- No UV or IR

| MODEL | MODULE | TOTAL WATTAGE* | LUMENS | EFFICACY (LM/W) |
|-------|--------|----------------|--------|-----------------|
| TUD | 80 | 45 | 4800 | 106 |

* Total wattage equals LED plus driver. Delivered lumen may vary depending on LED module, color temperature, optics, and accessories. Testing done with 3000K LED array.

FEATURES

- 120-277 Volt available
- 50,000 hour lamp life
- Stock or custom, steel or glass patterns
- Dimmable (optional)
- Numerous mounting options and accessories

DIMMING

- Trailing edge (ELV): 120-277V
- Leading edge (Triac): 120-277V
- 0-10V: 120-277V use track.
- Casambi: 120-277V
- IP Dimming: 120-277V

CONSTRUCTION

- Steel housing with black, white or silver finish
- Accepts up to 2 accessories
- Weight: 5.5 lbs.

OPTICS

- 20° - 40° Zoom Optics System
- 25° - 50° Zoom Optics System

ELECTRICAL

- Integral electronic driver
- 120-277V, 50/60Hz
- Meets FCC 47 CFR Part 15/18 Requirements
- 45 Watts

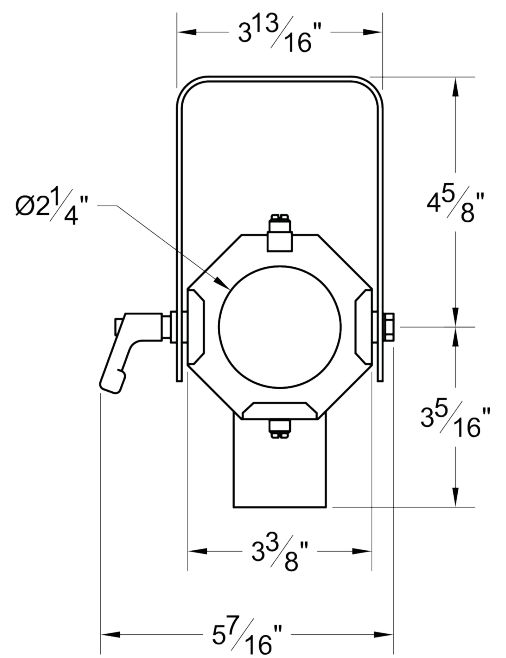
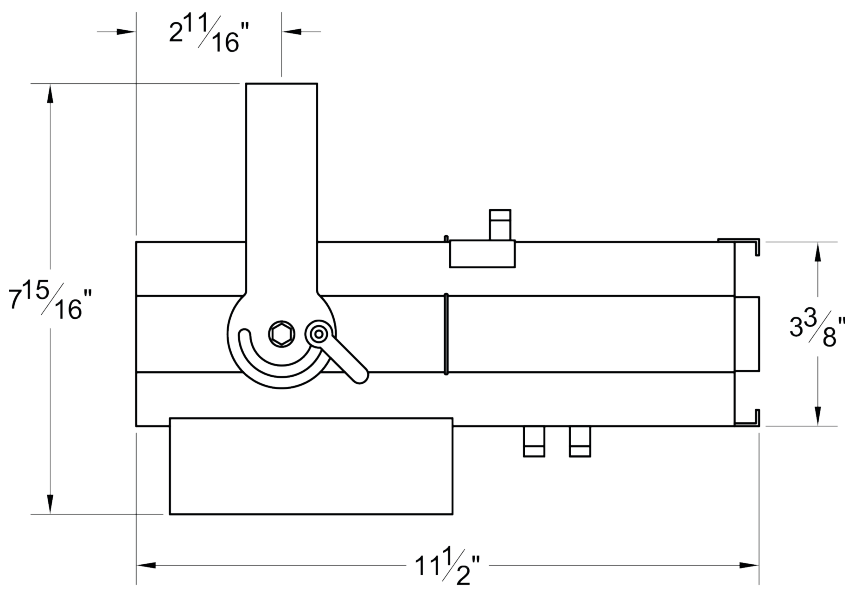
Maximum Operating Temperature: 35° C • Maximum Operating Angle: 45° from Vertical

TUDOR

LED PATTERN PROJECTOR

MANUFACTURED IN THE UNITED STATES - IBEW

PRODUCT LISTED
BY A NATIONALLY
RECOGNIZED
TESTING
LABORATORY



MOUNTING OPTIONS

DT2 Track adapter for SpecTrac 2-Circuit data track, 120V.

LP2 Low profile 2-circuit track adapter for SpecTrac databus. 120V.

HDT2 Track adapter for SpecTrac 2-Circuit, data track, 277V.

AD1 Track Adapter for commercial grade 1-circuit track. 120V. For use with lightweight fixtures.

AD12 J-Type single and dual circuit track adapter. 120V.

TA2 Track adapter for G-Series specification grade 2-Circuit track, 120V.

HTA2 Track adapter for G-Series specification grade 2-Circuit track, 277V.

TA3 Track adapter for G-Series specification grade 2-Circuit track, 120V.

CM4 Canopy Mount

US1 6-5/8" x 1-1/2" Unistrut Adapter

TB8 8" x 8" Portable table base for floor and table use

MC Light duty pipe clamp for small fixtures. For pipes up to 1 5/16" O.D.

MN Medium duty pipe clamp for small to large fixtures. For pipes up to 2" O.D. (Supplied with 6 ft. cord and Edison Plug)

ACCESSORIES

| | |
|-------------|-----------------------|
| CF6 | Color Frame |
| SN6 | Snoot/Hood |
| PH6 | Pattern Holder |
| PD6 | Pattern Donut |
| SPE | Stock Pattern Steel |
| CPE | Custom Pattern Steel |
| GPE | Custom Pattern Glass |
| DF6 | Dichroic Color Filter |
| CC18 | Coiled Cord |

EXTENSION WANDS

| | |
|--------------|---------------|
| SP 12 | 12" Stem |
| SP 18 | 18" Stem |
| SP 24 | 24" Stem |
| SP X | Custom Length |

TUDOR

LED PATTERN PROJECTOR

MANUFACTURED IN THE UNITED STATES - IBEW

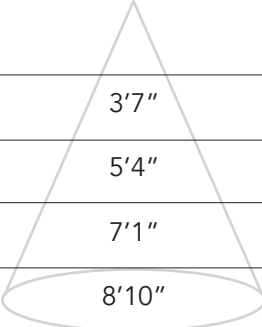
PRODUCT LISTED
BY A NATIONALLY
RECOGNIZED
TESTING
LABORATORY



PHOTOMETRIC DATA

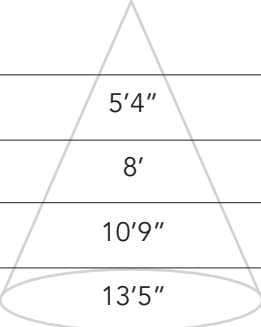
20° Degree Setting

| Distance | Beam Spread | Footcandles |
|----------|-------------|-------------|
| 10' | 3'7" | 310 |
| 15' | 5'4" | 137 |
| 20' | 7'1" | 78 |
| 25' | 8'10" | 50 |



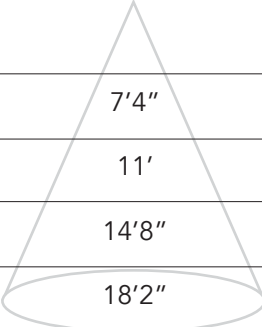
30° Degree Setting

| Distance | Beam Spread | Footcandles |
|----------|-------------|-------------|
| 10' | 5'4" | 230 |
| 15' | 8' | 102 |
| 20' | 10'9" | 58 |
| 25' | 13'5" | 37 |



40° Degree Setting

| Distance | Beam Spread | Footcandles |
|----------|-------------|-------------|
| 10' | 7'4" | 115 |
| 15' | 11' | 51 |
| 20' | 14'8" | 29 |
| 25' | 18'2" | 18 |





SLINGSHOT

The Slingshot allows you to cast the output of a Times Square Lighting ellipsoidal at a right angle. This allows flexibility in situations when the fixture is mounted horizontally but the desired aiming angle is vertical (or vice versa).

- LENGTH: 6-3/4"
- WIDTH: 4"
- DEPTH: 4"
- RANGE OF MOTION: 0° to 44°

| MODEL | COLOR |
|-------|-----------------|
| SLMB | Black Slingshot |
| SLMW | White Slingshot |

PATTERNS

For standard and custom patterns, see the pattern specification sheet. QR Code is provided below.



NOTES ON DIMMING

Visit tslight.com/resources or scan the QR Code.



TUDOR

LED PATTERN PROJECTOR

MANUFACTURED IN THE UNITED STATES - IBEW



PRODUCT LISTED
BY A NATIONALLY
RECOGNIZED
TESTING
LABORATORY



SPECIFY:

| MODEL | LED MODULE | COLOR TEMPERATURE | FINISH |
|-------------------|--|--|---|
| TUD ♦ TUD5 ♦♦ | 80 | 40 = 4000K | B = Black W = White S = Silver CC = Custom Color |
| VOLTAGE | MOUINTG | DIMMING † | ACCESSORIES |
| 120 240 277 | See Mounting Options for Ordering Codes | TE = Trailing Edge * LE = Leading Edge * 010 = 0-10V IP = Integral Pot ND = Non-Dimming CS = Casambi Wireless | See Accessory Options for Ordering Codes |

* 120V Only

† See "Notes on Dimming"

♦ 20° - 40° Zoom Optics

♦♦ 25° - 50° Zoom Optics

ORDERING INFORMATION

| | |
|-----------|--|
| PROJECT: | |
| LOCATION: | |
| QUANTITY: | |
| CONTACT: | |
| PHONE: | |
| EMAIL: | |

EXAMPLE: TUD-8040-B-AD1-TE-CF6

| MODEL | LED MODULE | COLOR TEMPERATURE | FINISH | VOLTAGE | MOUNTING | DIMMING | ACCESSORIES |
|-------|------------|-------------------|--------|---------|----------|---------|-------------|
| TUD | 80 | 40 | | | | | |