

WW23-CT MOSAIC WALL WASH

COLOR MIXING - TUNABLE WHITE



MANUFACTURED IN THE UNITED STATES - IBEW

PRODUCT LISTED
BY A NATIONALLY
RECOGNIZED
TESTING
LABORATORY



The Mosaic Wall Wash features tunable color with a high CRI output. It also features tunable white from 1800K - 6500K. Rich blues, ambers, reds, violets and greens can be added in gradients or can completely saturate the output of the light. This fixture is perfect for retail applications such as car dealerships and clothing stores but is equally well suited for illuminating artwork or using it in an archtainment setting.

- 2000 Lumen Output
- 5 DMX Channels
- Color Tuning: RGB+ Intensity+ CCT
- Tunable Range:
1800K-6500K tunable white
- 84 - 95 CRI
- Dimmable from 100 - 0.1%
at constant CCT
- <2 MacAdam ellipse over
50,000 hour life
- Casambi Available

POWER

- Power Consumption: 31W
- Max. Operating Temp: 104°F (40°C) ambient
- 90 - 305 VAC, 50/60 Hz
- Do not install on a circuit containing a dimmer.
- DMX Addressing is RDM-only.

WEIGHT

- 2 lbs.

CALIBRATED CCT SPECIFICATIONS

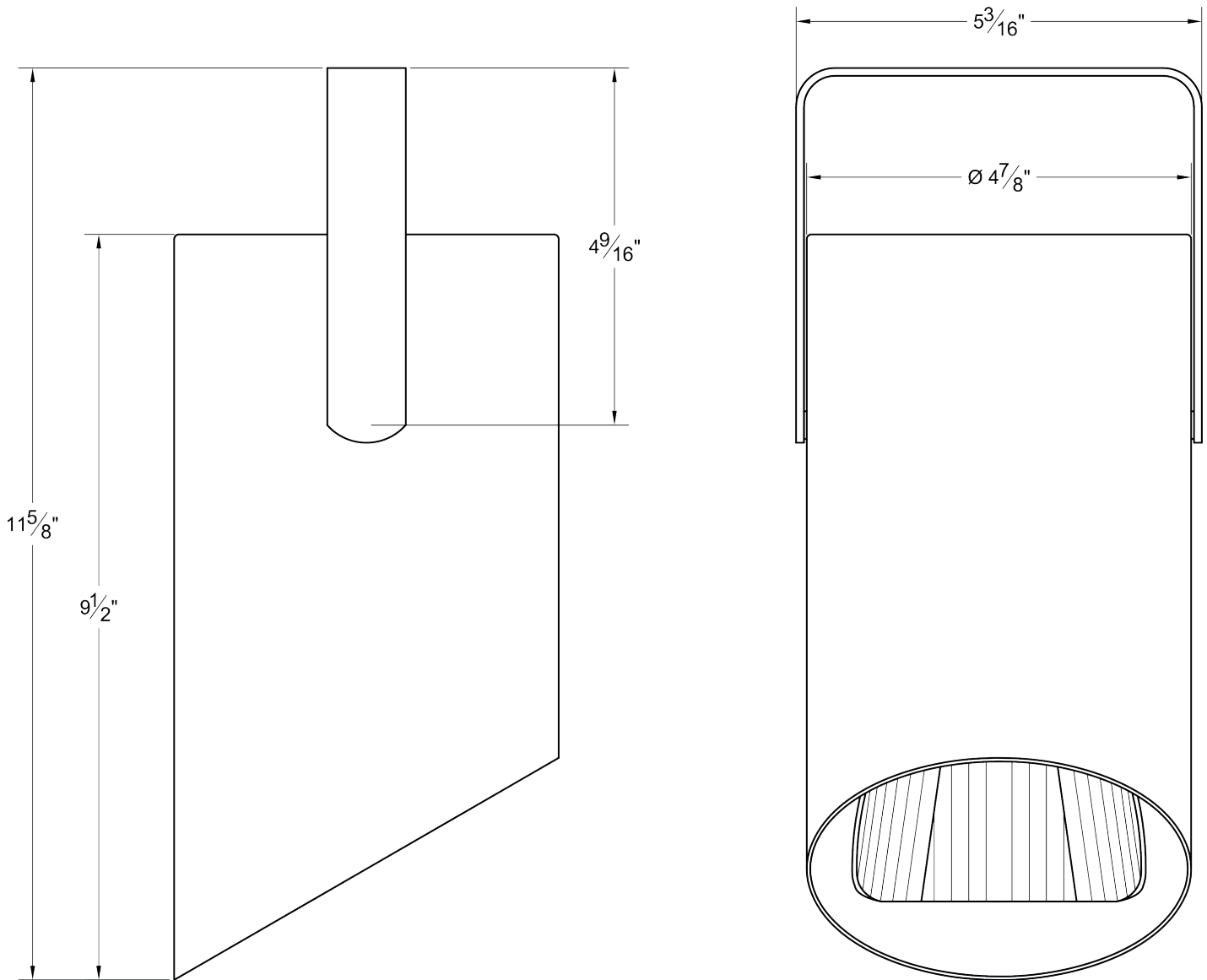
CCT [K]	TYPICAL CRI
1800 (min)	90
2700	93
3000	95
3500	95
4000	93
6500 (max)	84


WW23-CT MOSAIC WALL WASH

COLOR MIXING - TUNABLE WHITE

MANUFACTURED IN THE UNITED STATES - IBEW

PRODUCT LISTED
BY A NATIONALLY
RECOGNIZED
TESTING
LABORATORY



MOUNTING OPTIONS	ACCESSORIES								
<p>DT2 2-circuit track adapter for SpecTrac databus, 120V.</p>	<table> <tr> <td>CC18</td> <td>Coiled Cord</td> </tr> <tr> <td>SC-24</td> <td>Safety Cable</td> </tr> <tr> <td>WL</td> <td>Wrench Locking</td> </tr> </table>	CC18	Coiled Cord	SC-24	Safety Cable	WL	Wrench Locking		
CC18	Coiled Cord								
SC-24	Safety Cable								
WL	Wrench Locking								
<p>HDT2 2-circuit track adapter for SpecTrac databus, 277V.</p>	<p>EXTENSION WANDS</p>								
<p>DXTC Canopy mount with terminal block for DMX.</p>	<table> <tr> <td>SP 12</td> <td>12" Stem</td> </tr> <tr> <td>SP 18</td> <td>18" Stem</td> </tr> <tr> <td>SP 24</td> <td>24" Stem</td> </tr> <tr> <td>SP X</td> <td>Custom Length</td> </tr> </table>	SP 12	12" Stem	SP 18	18" Stem	SP 24	24" Stem	SP X	Custom Length
SP 12	12" Stem								
SP 18	18" Stem								
SP 24	24" Stem								
SP X	Custom Length								
<p>GAC Track adapter for 120V global pulse track.</p>	<p>NOTES ON DIMMING</p>								
<p>CM4 Canopy mount (Casambi Wireless only).</p>	<p>Visit tslight.com/resources or scan the QR Code.</p> 								
<p>US1 6-5/8" x 1-1/2" Unistrut Adapter (Casambi Wireless only).</p>									
<p>TB8 8" x 8" Portable table base for floor and table use (Casambi Wireless only).</p>									
<p>MC Light duty pipe clamp for small fixtures. For pipes up to 1 5/16" O.D. (Casambi Wireless only).</p>									
<p>MN Medium duty pipe clamp for small to large fixtures. For pipes up to 2" O.D. (Casambi Wireless only).</p>									
<p>PC9M Heavy duty pipe clamp for large, heavy fixtures. For pipes up to 2" O.D. (Casambi Wireless only).</p>									

WW23-CT MOSAIC WALL WASH

COLOR MIXING - TUNABLE WHITE

MANUFACTURED IN THE UNITED STATES - IBEW



PRODUCT LISTED
BY A NATIONALLY
RECOGNIZED
TESTING
LABORATORY



SPECIFY:

MODEL	FINISH	MOUNTING	DIMMING
WW23-CT	B = Black W = White S = Silver CC = Custom Color	See Mounting Options for Ordering Codes	DX = DMX / RDM CS = Casambi Wireless

ORDERING INFORMATION

PROJECT:	
LOCATION:	
QUANTITY:	
CONTACT:	
PHONE:	
EMAIL:	

EXAMPLE: WW23-CT-B-DT2-DX

MODEL	FINISH	MOUNTING	DIMMING
WW23-CT			