

# ACT23 MOSAIC FLOOD

COLOR MIXING - TUNABLE WHITE

MANUFACTURED IN THE UNITED STATES - IBEW



PRODUCT LISTED  
BY A NATIONALLY  
RECOGNIZED  
TESTING  
LABORATORY



The Mosaic Flood features tunable color with a high CRI output. It also features tunable white from 1800K - 6500K. Rich blues, ambers, reds, violets and greens can be added in gradients or can completely saturate the output of the light. Interchangeable reflectors allow beam angles between 10° and 60°. This fixture is perfect for retail applications such as car dealerships and clothing stores but is equally well suited for illuminating artwork or using it in an archtainment setting.

## FEATURES

- 2000 Lumen Output
- 5 DMX Channels
- Color Tuning: RGB+ Intensity+ CCT
- Tunable range: 1800K-6500K tunable white
- 84 - 95 CRI
- Dimmable from 100 - 0.1% at constant CCT
- <2 MacAdam ellipse over 50,000 hour life
- Casambi Available

## POWER

- Power Consumption: 31W
- Max. Operating Temp: 104°F (40°C) ambient
- 90 - 305 VAC, 50/60 Hz
- Do not install on a circuit containing a dimmer.
- DMX Addressing is RDM-only.

## OPTICS

- 10°, 20°, 40° or 60° field-changeable reflectors

## WEIGHT

- 2 lbs.

## CALIBRATED CCT SPECIFICATIONS

CCT [K]	TYPICAL CRI
1800 (min)	90
2700	93
3000	95
3500	95
4000	93
6500 (max)	84

# ACT23 MOSAIC FLOOD

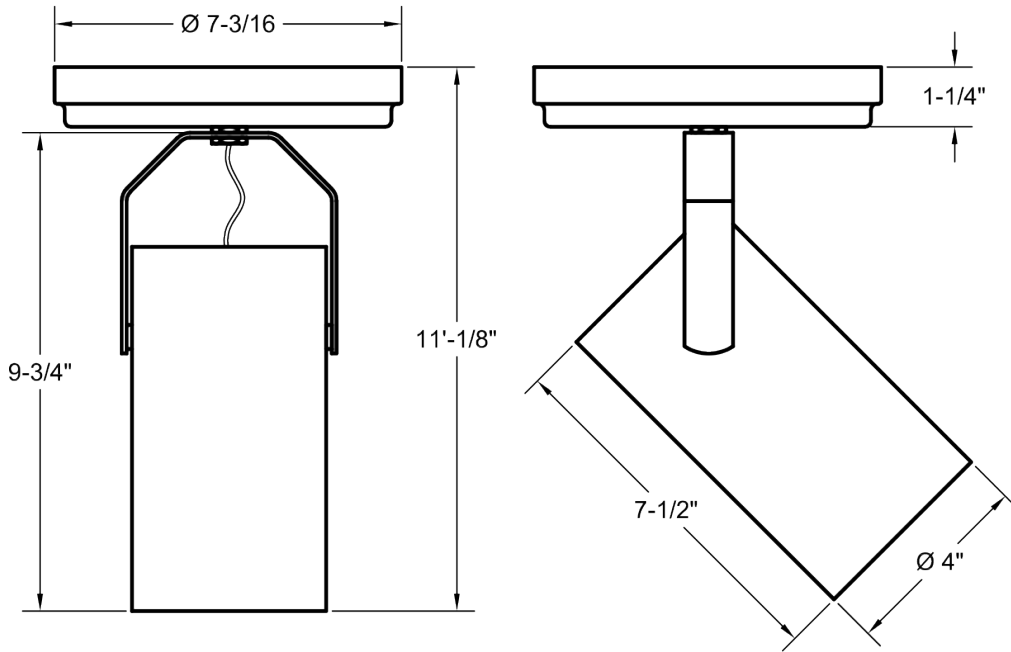
COLOR MIXING - TUNABLE WHITE

MANUFACTURED IN THE UNITED STATES - IBEW

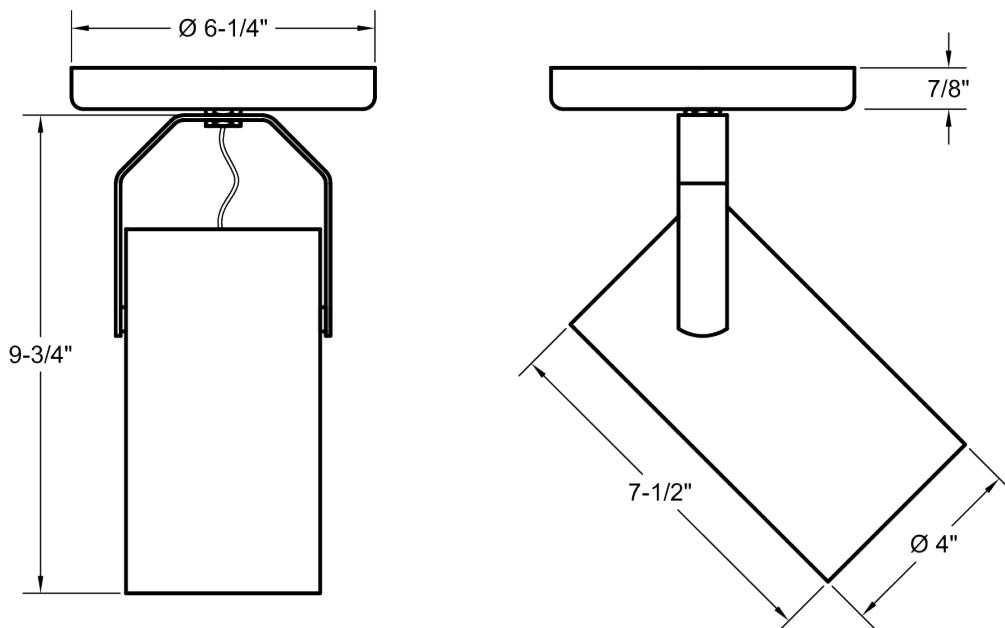
PRODUCT LISTED  
BY A NATIONALLY  
RECOGNIZED  
TESTING  
LABORATORY



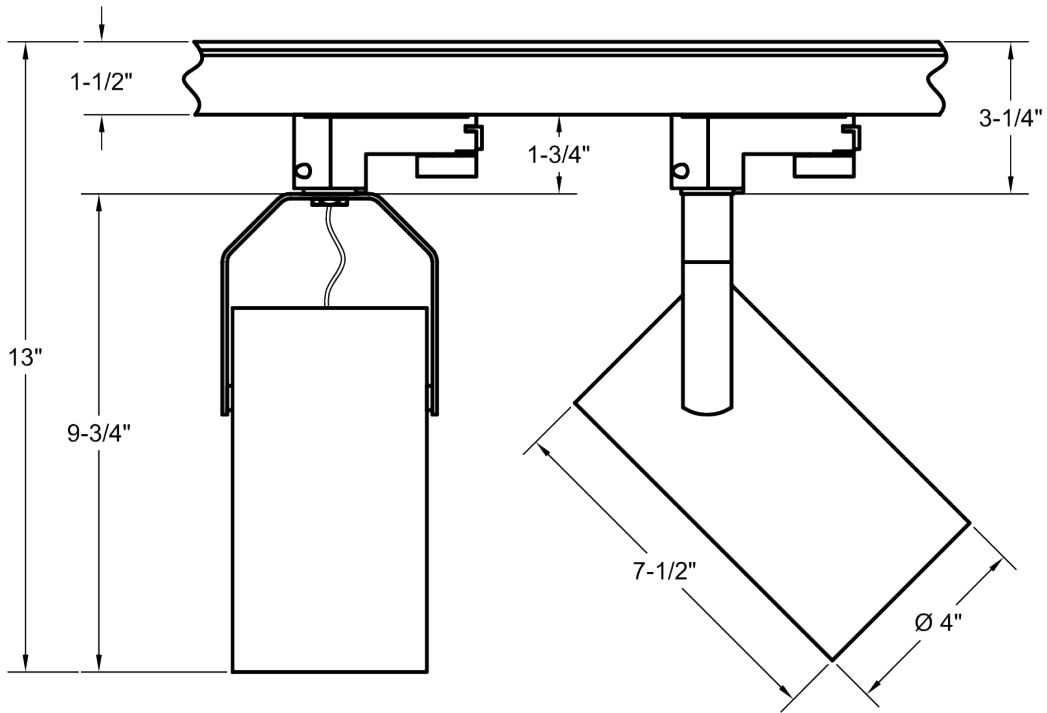
## DXTC - CANOPY MOUNT WITH TERMINAL BLOCK FOR DMX



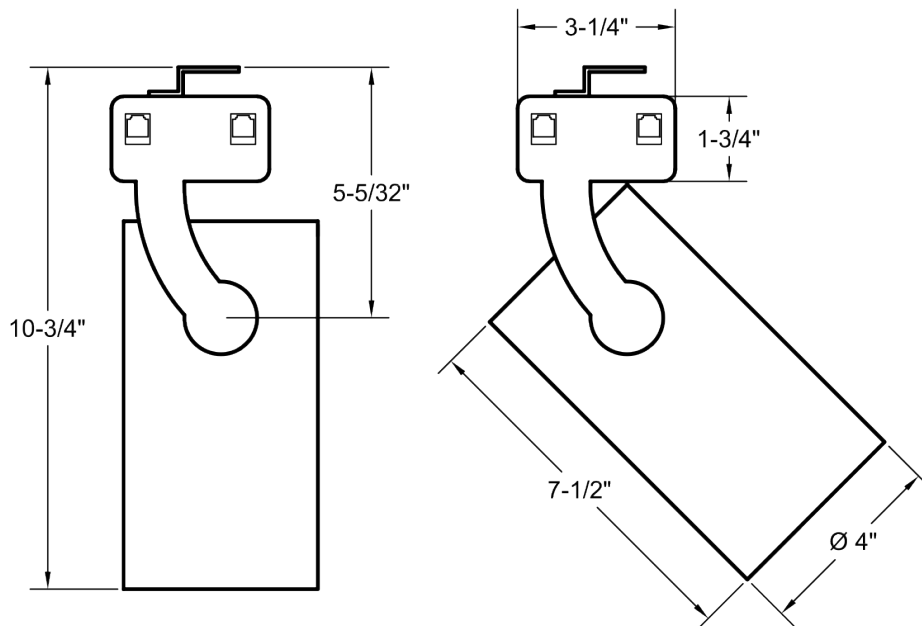
## CM4 CANOPY MOUNT FOR CASAMBI WIRELESS



DT2, HDT2 AND GAC TRACK ADAPTERS FOR DMX OR CASAMBI WIRELESS



US1, TB8 OR CLAMP MOUNT WITH POWER CORD (NOT SHOWN) FOR CASAMBI WIRELESS OR DMX. TWO RJ45 JACKS PROVIDED WITH DMX VERSION ONLY



# ACT23 MOSAIC FLOOD

COLOR MIXING - TUNABLE WHITE

MANUFACTURED IN THE UNITED STATES - IBEW

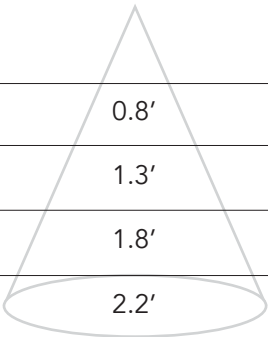
PRODUCT LISTED  
BY A NATIONALLY  
RECOGNIZED  
TESTING  
LABORATORY



## PHOTOMETRIC DATA

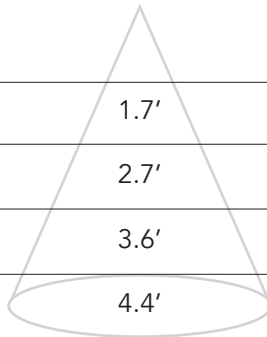
### 10° Spot Reflector

Distance	Beam Spread	Footcandles
5'	0.8'	290
7.5'	1.3'	129
10'	1.8'	73
12.5'	2.2'	46



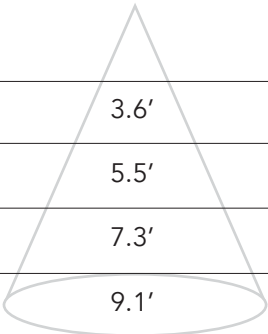
### 20° Spot Reflector

Distance	Beam Spread	Footcandles
5'	1.7'	240
7.5'	2.7'	107
10'	3.6'	60
12.5'	4.4'	38



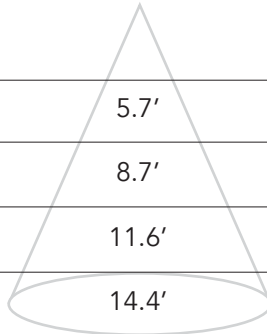
### 40° Spot Reflector

Distance	Beam Spread	Footcandles
5'	3.6'	140
7.5'	5.5'	62
10'	7.3'	35
12.5'	9.1'	22



### 60° Spot Reflector

Distance	Beam Spread	Footcandles
5'	5.7'	80
7.5'	8.7'	36
10'	11.6'	20
12.5'	14.4'	13



## MOUNTING OPTIONS

- DT2** 2-circuit track adapter for SpecTrac databus, 120V.
- HDT2** 2-circuit track adapter for SpecTrac databus, 277V.
- LP2** Low profile 2-circuit track adapter for SpecTrack databus. 120V.
- DXTC** Canopy mount with terminal block for DMX.
- GAC** Track adapter for 120V global pulse track.
- CM4** Canopy mount (Casambi Wireless only).
- US1** 6 5/8" x 1 1/2" Unistrut Adapter (Casambi Wireless only).
- TB8** 8" x 8" Portable table base for floor and table use (Casambi Wireless only).
- MC** Light duty pipe clamp for small fixtures. For pipes up to 1 5/16" O.D. (Casambi Wireless only).
- MN** Medium duty pipe clamp for small to large fixtures. For pipes up to 2" O.D. (Casambi Wireless only).
- PC9M** Heavy duty pipe clamp for large, heavy fixtures. For pipes up to 2" O.D. (Casambi Wireless only).

## ACCESSORIES

- |                   |                           |
|-------------------|---------------------------|
| <b>BD20</b>       | Barndoor                  |
| <b>LV22</b>       | Full Size Louver          |
| <b>XL22</b>       | Full Size X Baffle Louver |
| <b>XH22</b>       | Full Size X Baffle Hood   |
| <b>HD22</b>       | Hood/Snoot                |
| <b>X00517</b>     | Accessory Holder          |
| <b>LV18*</b>      | Honeycomb Louver          |
| <b>OF22-9101*</b> | Smoothing Frost Filter    |
| <b>GF22-600*</b>  | 5x50 Linear Lens          |
| <b>GF22-601*</b>  | Solite Softner            |
| <b>GF22-673*</b>  | 50 x 50 Spread Lens       |
| <b>SC24</b>       | Safety Cable              |

\* X00517 Required  
Not compatible with 10° reflector option.

## EXTENSION WANDS

- |              |               |
|--------------|---------------|
| <b>SP 12</b> | 12" Stem      |
| <b>SP 18</b> | 18" Stem      |
| <b>SP 24</b> | 24" Stem      |
| <b>SP X</b>  | Custom Length |

## NOTES ON DIMMING

Visit [tslight.com/resources](https://tslight.com/resources) or scan the QR Code.



# ACT23 MOSAIC FLOOD

COLOR MIXING - TUNABLE WHITE

MANUFACTURED IN THE UNITED STATES - IBEW



PRODUCT LISTED  
BY A NATIONALLY  
RECOGNIZED  
TESTING  
LABORATORY



## SPECIFY:

MODEL	FINISH	OPTICS
ACT23	B = Black W = White S = Silver CC = Custom Color	10 = 10° Degree 20 = 20° Degree 40 = 40° Degree 60 = 60° Degree
MOUNTING OPTIONS		DIMMING
See Mounting Options for Ordering Codes		DX = DMX / RDM CS = Casambi Wireless

## ORDERING INFORMATION

PROJECT:	
LOCATION:	
QUANTITY:	
CONTACT:	
PHONE:	
EMAIL:	

**EXAMPLE:** ACT23-B-60-DT2-DX

MODEL	FINISH	OPTICS	MOUNTING OPTIONS	DIMMING