

CCR HIGH POWER

CREE LED

MANUFACTURED IN THE UNITED STATES - IBEW



PRODUCT LISTED
BY A NATIONALLY
RECOGNIZED
TESTING
LABORATORY



The CCR High Power emphasizes efficiency and economy and boasts the highest lumens per watt rating of any Times Square Lighting fixture to date. It is designed for a short to medium throw applications. The CCR High Power can be fitted with up to three accessories, including barn doors, louvers and lenses. This versatile fixture is available with a wide variety of mounting and dimming options, allowing for a huge range of customization possibilities.

The CCR High Power is available in standard black, white, or silver finishes. Custom colors are available upon request.

LED SPECIFICATIONS

- Cree XLamp LED array
- Color Temperature Options: 2700K, 3000K, 3500K, 4000K, 5000K, 5700K, 6500K
- CRI: 80 standard or 92 optional
- Lumen Maintenance: 90% of initial lumen output at 33,000 hours on LM-80 testing
- No UV or IR

MODEL	CRI	TOTAL WATTAGE*	LUMENS	EFFICACY (LM/W)
CCR40	80	35	4000	114
CCR42	92	40	4200	105
CCR46	92	45	4600	102
CCR48	80	40	4800	120
CCR52	92	55	5200	95
CCR53	80	45	5300	118
CCR60	80	55	6000	109

* Total wattage equals LED plus driver. Delivered lumen may vary depending on LED module, color temperature, optics, and accessories. Testing done with 3000K LED array.

DIMMING

- Trailing edge (ELV): 120V all, 277V limited to CR42, CR48, CR52, and CR60
- Leading edge (Triac): 120V all, 277V limited to CR42, CR48, CR52, and CR60
- 0-10V: 120V / 277V
- IP (Integral Pot) dimming available

ELECTRICAL

- Integral electronic driver
- 100-277V, 50/60Hz
- Meets FCC 47 CFR Part 15/18 Requirements

CONSTRUCTION

- Steel & aluminum housing with black, white or silver finish
- Accepts up to 3 accessories
- Weight: 3 lbs.

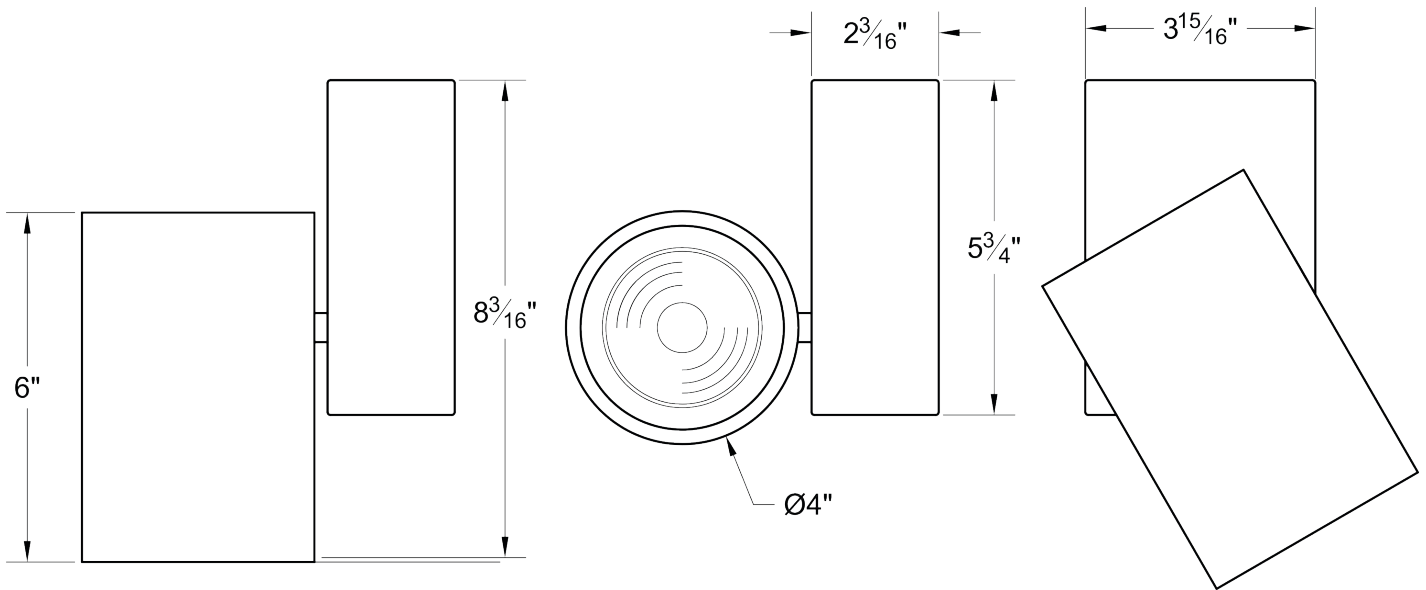
CCR HIGH POWER

CREE LED

MANUFACTURED IN THE UNITED STATES - IBEW



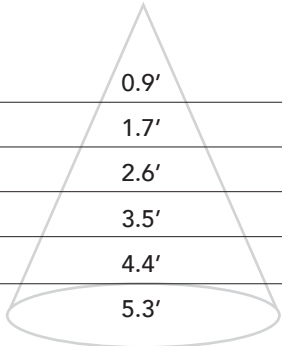
PRODUCT LISTED
BY A NATIONALLY
RECOGNIZED
TESTING
LABORATORY



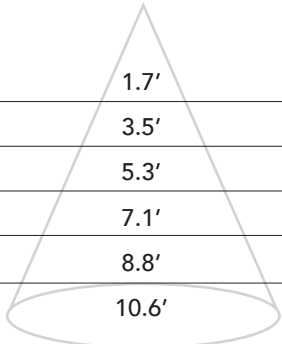
OPTICS | 10°, 20°, 40°, and 60° Field-Changeable Reflectors

CBCP:	CCR40	CCR42	CCR46	CCR48	CCR52	CCR53	CCR60
10°	30400	35100	38000	40000	43200	43800	49700
20°	14500	16700	18100	19100	20600	20900	23700
40°	7600	8500	9300	9700	10600	10800	12100
60°	4400	5000	5500	5700	6200	6300	7100

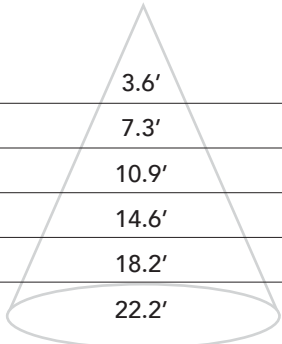
Distance	10° Spot Reflector Beam Spread	Footcandles						
		CR40	CR42	CR46	CR48	CR52	CR53	CR60
5'	0.9'	1216	1404	1520	1600	1720	1752	1988
10'	1.7'	304	351	380	400	430	438	497
15'	2.6'	135	156	169	178	191	195	221
20'	3.5'	76	88	95	100	108	110	124
25'	4.4'	48	56	61	64	69	70	80
30'	5.3'	34	39	42	44	48	49	55



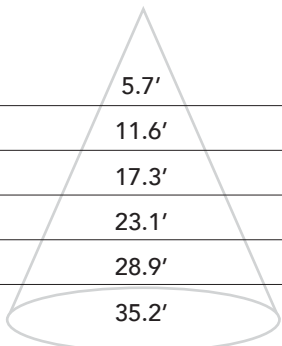
Distance	20° Spot Reflector Beam Spread	Footcandles						
		CR40	CR42	CR46	CR48	CR52	CR53	CR60
5'	1.7'	580	667	722	762	824	838	948
10'	3.5'	145	167	181	191	206	209	237
15'	5.3'	64	74	80	84	92	93	105
20'	7.1'	36	41	45	48	52	52	59
25'	8.8'	23	26	29	31	33	34	38
30'	10.6'	16	18	20	21	23	23	26



Distance	40° Medium Reflector Beam Spread	Footcandles						
		CR40	CR42	CR46	CR48	CR52	CR53	CR60
5'	3.6'	304	341	373	389	422	430	482
10'	7.3'	76	85	93	97	106	108	121
15'	10.9'	34	37	41	43	47	49	53
20'	14.6'	19	21	23	24	26	27	30
25'	18.2'	12	14	15	16	17	17	19
30'	22.2'	8	9	10	11	12	12	13



Distance	60° Flood Reflector Beam Spread	Footcandles						
		CR40	CR42	CR46	CR48	CR52	CR53	CR60
5'	5.7'	176	199	218	229	246	251	285
10'	11.6'	44	50	55	57	62	63	71
15'	17.3'	20	22	24	25	27	28	31
20'	23.1'	11	12	13	14	15	16	18
25'	28.9'	7	8	9	9	10	10	11
30'	35.2'	5	5	6	6	6	7	8



CCR HIGH POWER

CREE LED

MANUFACTURED IN THE UNITED STATES - IBEW



PRODUCT LISTED
BY A NATIONALLY
RECOGNIZED
TESTING
LABORATORY

MOUNTING OPTIONS

DT2 2-circuit track adapter for SpecTrack databus. 120V.

HDT2 Track adapter for SpecTrack 2-Circuit data track. 277V.

T1 Track Adapter for commercial grade 1 circuit track. 120V. For use with larger, heavier fixtures.

LP2 Low profile 2-circuit track adapter for SpecTrac databus. 120V.

TA2 Track adapter for G-Series specification grade 2-circuit track. 120V.

HTA2 Track adapter for G-Series specification grade 2-circuit track. 277V.

TA3 Track adapter for G-Series specification grade 3-circuit track. 120V.

CM4 Canopy Mount

US1 6-5/8" x 1-1/2" Unistrut Adapter

TB8 8" x 8" Portable table base for floor and table use

MC Light duty pipe clamp for small fixtures. For pipes up to 1 5/16" O.D.

MN Medium duty pipe clamp for small to large fixtures. For pipes up to 2" O.D.

PC9M Heavy duty pipe clamp for large, heavy fixtures. For pipes up to 2" O.D.

ACCESSORIES

BD20	Barndoor
LV22	Full Size Louver
XL22	Full Size X Baffle Louver
XH22	Full Size X Baffle Hood
HD22	Hood / Snoot
X00517	Accessory Holder
LV18*	Honeycomb Louver
OF22-9101*	Smoothing Frost Filter
OF22-0S20*	20° Beam Softener
OF22-1060*	Linear Spread 10 x 60 Degree
OF22-0S30*	Beam Soft Filter
OF22-0S40*	40 / 60 Degree Diffusion
GF22-600*	5x50 Linear Lens
GF22-601*	Solite Softner
GF22-673*	50 x 50 Spread Lens
CC18	Coil Cord Option
SC-24	Safety Cable

* X00517 Required.

EXTENSION WANDS

SP 12	12" Stem
SP 18	18" Stem
SP 24	24" Stem
SP X	Custom Length

NOTES ON DIMMING

Visit tslight.com/resources or scan the QR Code.



SPECIFY:

MODEL	LUMENS	CRI	
CCR	40 = 4000 ** 42 = 4200 * 46 = 4600 * 48 = 4800 ** 52 = 5200 * 53 = 5300 ** 60 = 6000 **	80 92	
COLOR TEMPERATURE	FINISH	VOLTAGE	
27 = 2700K 30 = 3000K 35 = 3500K 40 = 4000K 50 = 5000K 57 = 5700K ** 65 = 6500K **	B = Black W = White S = Silver CC = Custom Color	100 †† 120 240 277	
OPTICS	MOUNTING	DIMMING †	ACCESSORIES
10 = 10° 20 = 20° 25 = 25° 40 = 40° 60 = 60°	See Mounting Options for Ordering Codes	TE = Trailing Edge *** LE = Leading Edge *** 010 = 0-10V ND = Non-Dimming IP = Integral Pot CA = Casambi	See Accessory Options for Ordering Codes

Maximum Ambient Temperature: 35°C
Maximum Operating Angle: 45° from vertical

* 92 CRI Only ** 80 CRI Only
*** 277V TE & LE available on 4200, 4800, 5200 and 6000 lumens.

† See "Notes on Dimming"
†† Non-Dim or 0-10V Dimming Only

ORDERING INFORMATION

PROJECT:	
LOCATION:	
QUANTITY:	
CONTACT:	
PHONE:	
EMAIL:	

EXAMPLE: CCR48-80-27-B-120-20-AD1-TE-LV1

MODEL	LUMENS	CRI	COLOR TEMPERATURE	FINISH	VOLTAGE	OPTICS	MOUNTING	DIMMING	ACCESSORIES
CCR									