

JCR SERIES

TRACK LIGHT

MANUFACTURED IN THE UNITED STATES - IBEW



The JCR is suited for medium to long throws. This power saving fixture can produce up to 175 lumens per watt. It features passive cooling, a long-life LED, and 1% dimming. Multiple mounting options, accessories, and dimming types are available.

CONSTRUCTION

- Steel & aluminum housing with black, white or silver finish
- Weight: 2 lbs. 10 oz.

ELECTRICAL

- Integral electronic driver
- 120-277V, 50/60Hz
- Meets FCC 47 CFR Part 15/18 Requirements

DIMMING

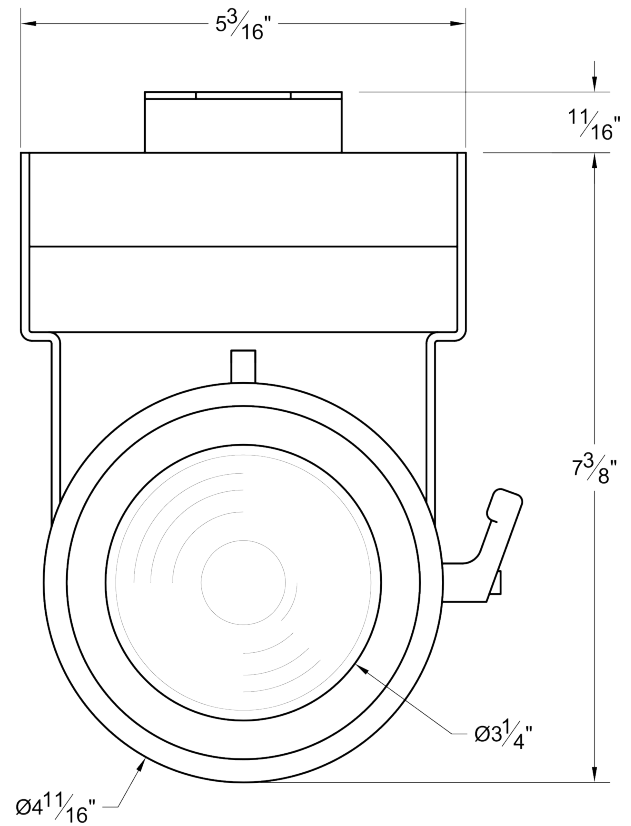
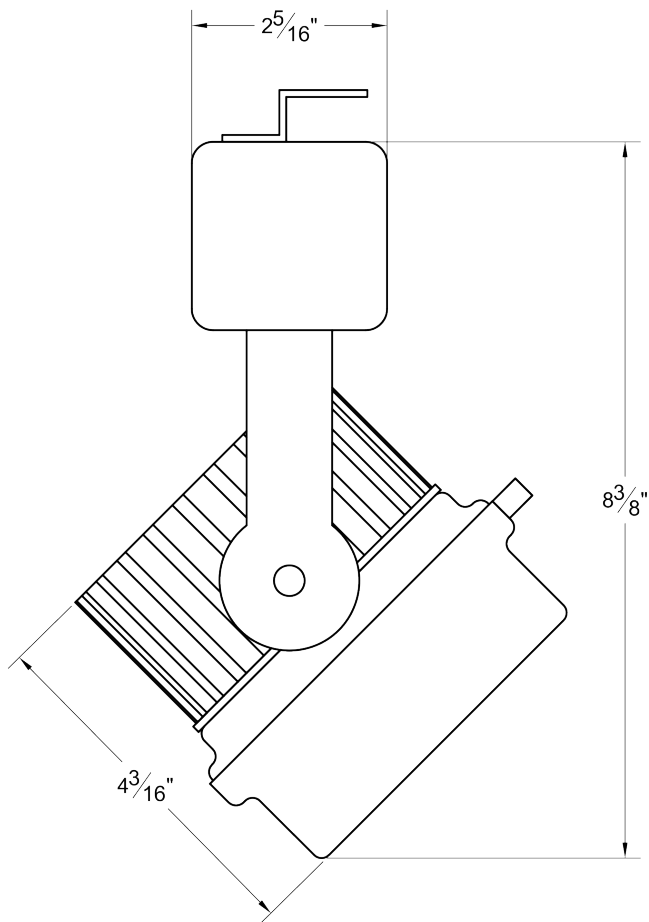
- 1% dim for all 120V options.
- Trailing edge (ELV): 120V / 277V
- Leading edge (Triac): 120V only
- 0-10V: Canopy, STA, STA1 or HSTA mounting options only.
- Lutron ecosystem premier driver available, featuring dimming to 0.1% and soft on/soft off incandescent like dimming. Only available on fixtures 20 watts or less.

CRI	LUMENS	WATTS	LUMENS PER WATT
80	1000	5.7	175
80	2000	11.6	172
80	2800	16.4	171
80	3700	23	161
80	4200	28	143
92	800	5.7	140
92	1600	11.6	138
92	2200	16.4	134
92	3000	23	130
92	3500	28	117

JCR SERIES

TRACK LIGHT

MANUFACTURED IN THE UNITED STATES - IBEW

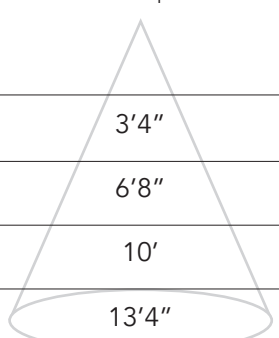


PHOTOMETRIC DATA

Results for 5000 Lumen Output. For other Lumen outputs, use the *Other Lumen Output Multipliers* charts.

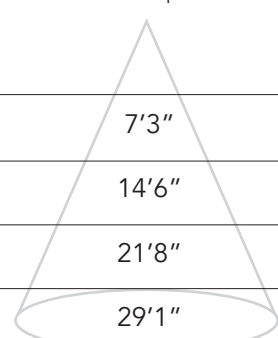
20° Spot Reflector

Distance	Beam Spread	Footcandles
10'	3'4"	165
20'	6'8"	42
30'	10'	18
40'	13'4"	10



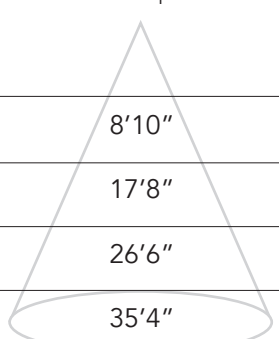
40° Spot Reflector

Distance	Beam Spread	Footcandles
10'	7'3"	57
20'	14'6"	14
30'	21'8"	6
40'	29'1"	3



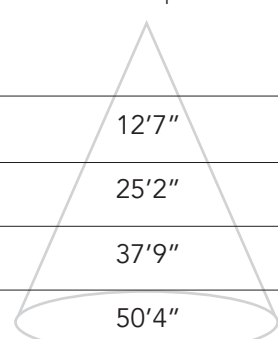
48° Spot Reflector

Distance	Beam Spread	Footcandles
10'	8'10"	43
20'	17'8"	11
30'	26'6"	4
40'	35'4"	2



64° Spot Reflector

Distance	Beam Spread	Footcandles
10'	12'7"	28
20'	25'2"	7
30'	37'9"	3
40'	50'4"	2



JCR SERIES

TRACK LIGHT

MANUFACTURED IN THE UNITED STATES - IBEW



MOUNTING OPTIONS

AD1 Track Adapter for commercial grade 1-circuit track. 120V. For use with lightweight fixtures.

TA1 Track adapter for E-Series specification grade track. 1 circuit. 120V.

TA2 Track adapter for G-Series specification grade 2-circuit track. 120V.

HTA2 Track adapter for G-Series specification grade 2-circuit track. 277V.

STA1 1-circuit track adapter for Data Bus. Specification grade track. 120V.

DT2 Track adapter for SpecTrack 2-circuit data track. 120V.

HDT2 Track adapter for SpecTrack 2-circuit data track. 277V.

TA3 Track adapter for G-Series specification grade 3-circuit track. 120V.

CM4 Canopy Mount

US1 6-5/8" x 1-1/2" Unistrut Adapter

TB4 4" x 4" Portable table base for floor and table use

MC Light duty pipe clamp for small fixtures. For pipes up to 1 5/16" O.D.

MN Medium duty pipe clamp for small to large fixtures. For pipes up to 2" O.D.

ACCESSORIES

LV6	Louver
XL6	Cross Baffle Louver
BD10	Barndoor
HD6	Hood
XH6	Cross Baffle Hood
SH6	Sparkle Hood
CF10	Color Frame
GF10	Glass Color Filter
DF10	Dichroic Color Filter
GF10-600	5° x 50° Linear Lens
GF10-601	Beam Softener
GF10-673	50° x 50° Spread Lens
GF10-702	UV Blocking Filter
CC18	Coiled Cord
SC-24	Safety Cable
IP	Integral Dimmer
WL	Wrench Locking

EXTENSION WANDS

SP 12	12" Stem
SP 18	18" Stem
SP 24	24" Stem
SP X	Custom Length

NOTES ON DIMMING

Visit tslight.com/resources or scan the QR Code.



SPECIFY:

MODEL		LUMENS	CRI	
JCR		8 = 800 * 10 = 1000 ** 16 = 1600 * 20 = 2000 ** 22 = 2200 * 28 = 2800 ** 30 = 3000 * 35 = 3500 * 37 = 3700 ** 42 = 4200 **	80	92
COLOR TEMPERATURE		FINISH	VOLTAGE	
27 = 2700K 30 = 3000K 35 = 3500K 40 = 4000K 57 = 5700K **		B = Black W = White S = Silver CC = Custom Color	120	240 277
OPTICS	MOUNTING	DIMMING †		ACCESSORIES
20 = 20° 40 = 40° 48 = 48° 64 = 64°	See Mounting Options for Ordering Codes	TE = Trailing Edge *** LE = Leading Edge (120V Only) 010 = 0-10V ECP = Ecosystem premier 0.1% dim		See Accessory Options for Ordering Codes

Maximum Ambient Temperature: 35°C
 Maximum Operating Angle: 45° from vertical

* 92 CRI Only ** 80 CRI Only
 *** Not available with 800, 1000, 3500 or 4200 lumen fixtures at 277V

† See "Notes on Dimming"

ORDERING INFORMATION

PROJECT:	
LOCATION:	
QUANTITY:	
CONTACT:	
PHONE:	
EMAIL:	

EXAMPLE: JCR16-9230-B-120-40-CM4-TE

MODEL	LUMENS	CRI	COLOR TEMPERATURE	FINISH	VOLTAGE	OPTICS	MOUNTING	DIMMING	ACCESSORIES
JCR									