

TWP26 PROFILE

TUNABLE WHITE PROJECTOR

MANUFACTURED IN THE UNITED STATES - IBEW



PRODUCT LISTED
BY A NATIONALLY
RECOGNIZED
TESTING
LABORATORY



The TWP26 Profile features a high CRI output, with tunable white from 1800K - 6500K. Interchangeable reflectors allow beam angles between 10° and 60°. This fixture is perfect for retail applications such as car dealerships and clothing stores but is equally well suited for illuminating artwork or using it in an archtainment setting.

FEATURES

- 2800 Lumen Output
- RDM Values Available: DTW, INT-CCT, CH1-CH2, CH1-CH2-CH3 *
- Tunable range: 1800K-6500K tunable white
- 94 - 97 CRI
- Dimmable from 100 - 0.1% at constant CCT
- <2 MacAdam ellipse over 50,000 hour life
- Casambi Available
- DMX/RDM, 0-10V

* See User Manual.

FEATURES

- 20° - 40° beam spread
- Framing shutters included
- Stock or custom, steel or glass patterns
- Numerous mounting options and accessories

CONSTRUCTION

- Steel housing with black, white or silver finish
- Accepts up to 2 accessories
- Weight: 5.5 lbs.

POWER

- Power Consumption: 38W
- Max. Operating Temp: 104°F (40°C) ambient
- 90 - 305 VAC, 50/60 Hz
- Do not install on a circuit containing a dimmer.
- DMX Addressing is RDM-only.

EMITTER 5-YEAR WARRANTY

The warranty on the LED Emitter used in this Times Square Lighting product shall have a five year warranty from the date of purchase.

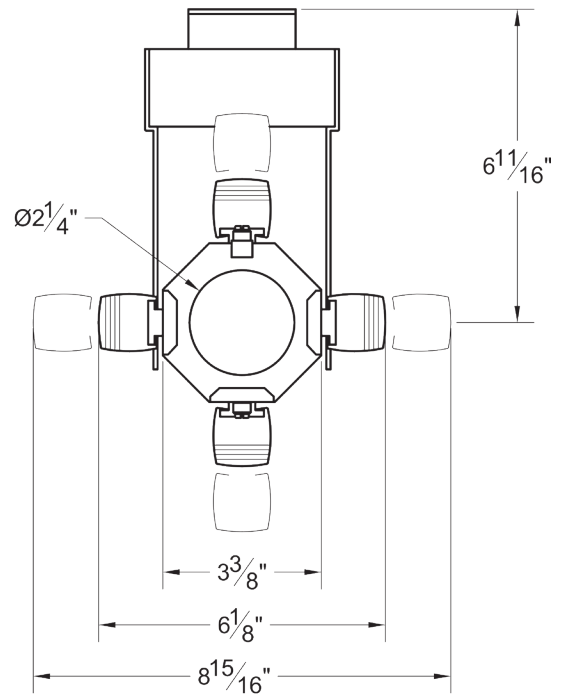
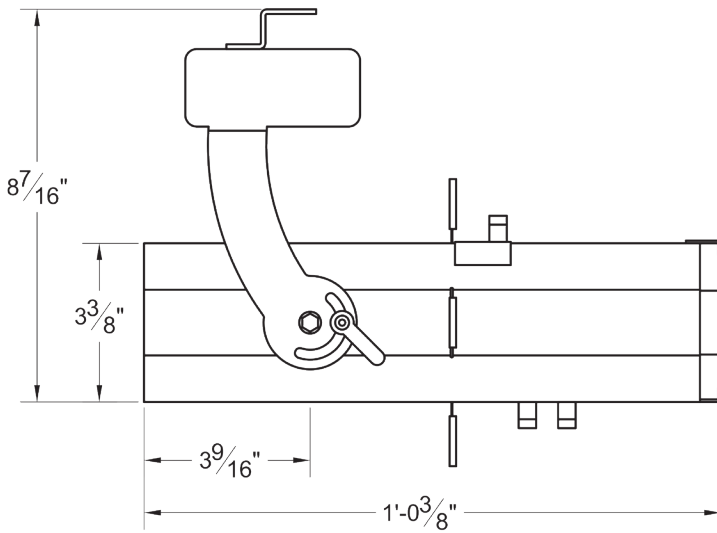
Maximum Ambient Temperature: 40° C

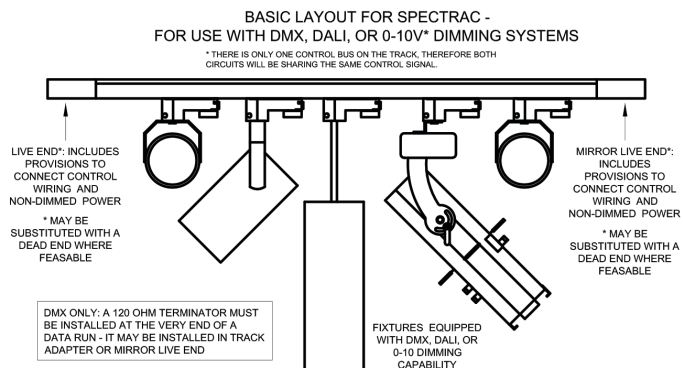
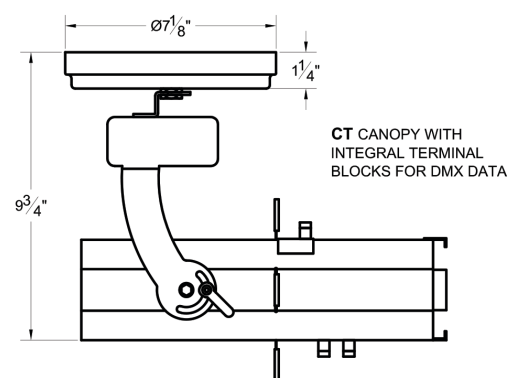
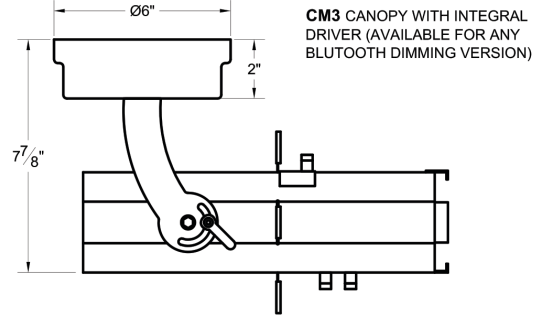
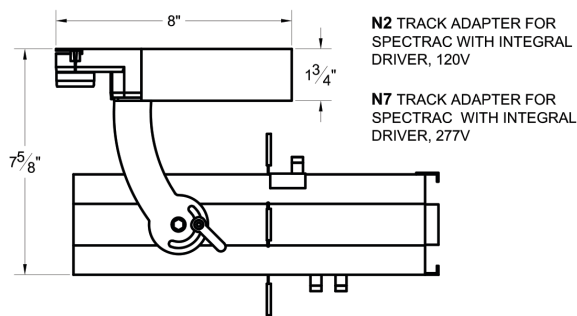
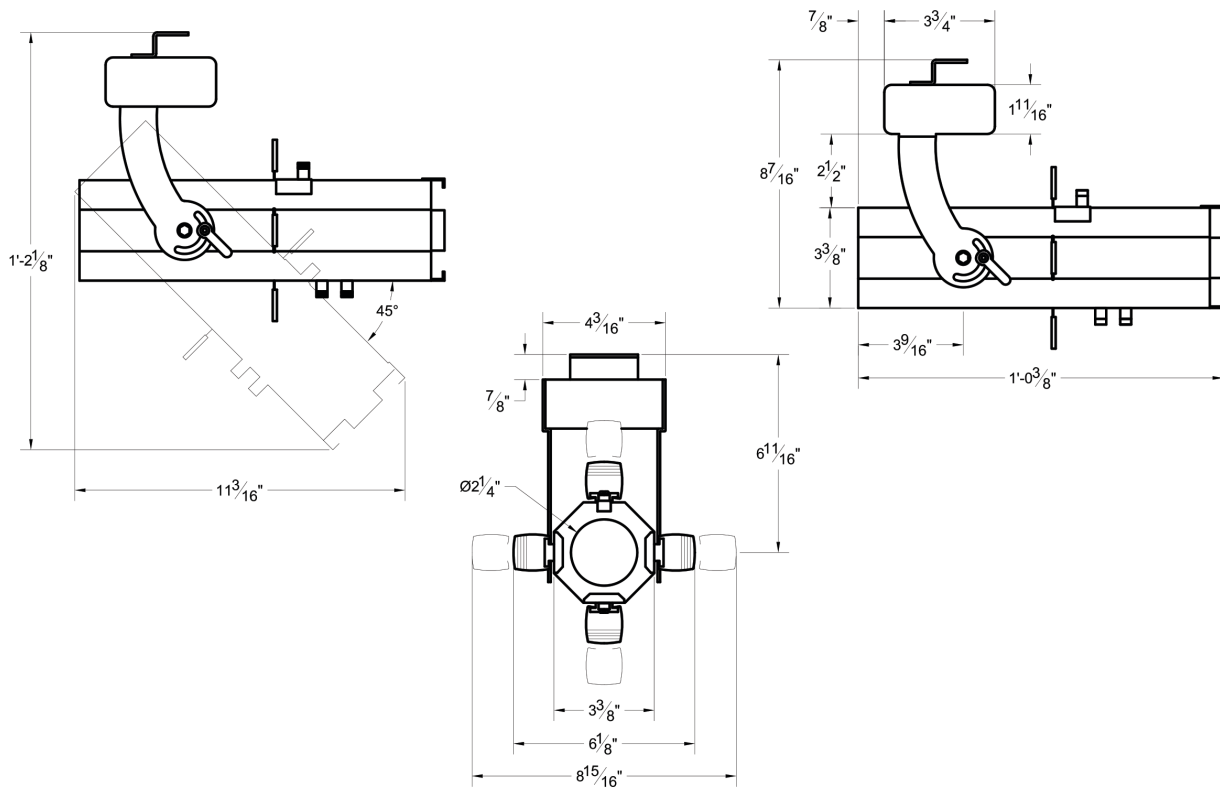
TWP26 PROFILE

TUNABLE WHITE PROJECTOR

MANUFACTURED IN THE UNITED STATES - IBEW

PRODUCT LISTED
BY A NATIONALLY
RECOGNIZED
TESTING
LABORATORY





TWP26 PROFILE

TUNABLE WHITE PROJECTOR

MANUFACTURED IN THE UNITED STATES - IBEW

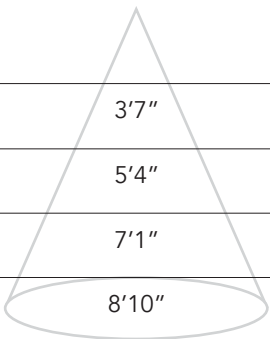
PRODUCT LISTED
BY A NATIONALLY
RECOGNIZED
TESTING
LABORATORY



PHOTOMETRIC DATA

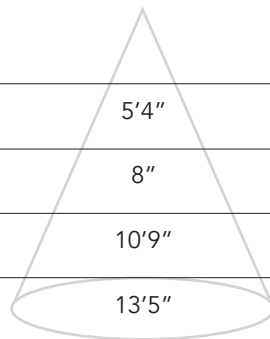
20° Degree Setting

Distance	Beam Spread	Footcandles
10'	3'7"	163
15'	5'4"	72
20'	7'1"	41
25'	8'10"	26



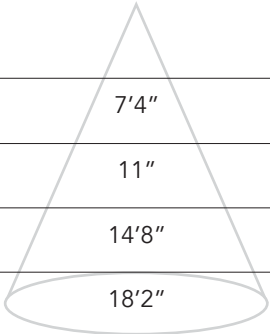
30° Degree Setting

Distance	Beam Spread	Footcandles
10'	5'4"	146
15'	8"	65
20'	10'9"	37
25'	13'5"	23



40° Degree Setting

Distance	Beam Spread	Footcandles
10'	7'4"	61
15'	11"	55
20'	14'8"	15
25'	18'2"	8



MOUNTING OPTIONS	ACCESSORIES	
GAC Track adapter for global pulse track.	CF6	Color Frame
DT2 Track adapter for SpecTrac 2-Circuit data track, 120V.	SN6	Snoot/Hood
HDT2 Track adapter for SpecTrac 2-Circuit data track, 277V.	PH6	Pattern Holder
US1 6 5/8" x 1 1/2" Unistrut adapter.	PD6	Pattern Donut
MN Medium duty pipe clamp for small to large fixtures. For pipes up to 2" O.D.	SPE	Stock Pattern Steel
PC9M Heavy duty pipe clamp for large, heavy fixtures. For pipes up to 2" O.D.	CPE	Custom Pattern Steel
N2 Track adapter with integral driver for SpecTrac 2-Circuit data track, 120V.	GPE	Custom Pattern Glass
N7 Track adapter with integral driver for SpecTrac 2-Circuit data track, 277V.	DF6	Dichroic Color Filter
CM4 Canopy mount (Bluetooth, 010V dimming only)	GF6-702	UV Blocking Filter
DXTC Canopy mount with terminal block for DMX.	CC18	Coiled Cord
	5300	Mini Spin
		(variable speed pattern rotator)
	EXTENSION WANDS	
	SP 12	12" Stem
	SP 18	18" Stem
	SP 24	24" Stem
	SP X	Custom Length

TWP26 PROFILE

TUNABLE WHITE PROJECTOR

MANUFACTURED IN THE UNITED STATES - IBEW

PRODUCT LISTED
BY A NATIONALLY
RECOGNIZED
TESTING
LABORATORY



SLINGSHOT

The Slingshot allows you to cast the output of a Times Square Lighting ellipsoidal at a right angle. This allows flexibility in situations when the fixture is mounted horizontally but the desired aiming angle is vertical (or vice versa).

- LENGTH: 6-3/4"
- WIDTH: 4"
- DEPTH: 4"
- RANGE OF MOTION: 0° to 44°

MODEL	COLOR
SLMB	Black Slingshot
SLMW	White Slingshot

PATTERNS

For standard and custom patterns, see the pattern specification sheet. QR Code is provided below.



NOTES ON DIMMING

Visit tslight.com/resources or scan the QR Code.



SPECIFY:

MODEL	FINISH	MOUNTING
TWP26	B = Black W = White S = Silver CC = Custom Color	See Mounting Options for Ordering Codes
DIMMING †		COLOR TEMPERATURE **
BT = Bluetooth DX = DMX / RDM 010 = 0-10V *		27 = 2700K 30 = 3000K 35 = 3500K 40 = 4000K 50 = 5000K 56 = 5600K 65 = 6500K

Maximum Ambient Temperature: 40°C

† See "Notes on Dimming"

* 0-10V only allows tuning. No dimming on track.

** Fixtures can be pre-programmed to static white with 1-channel DMX for non-tunable white applications.

ORDERING INFORMATION

PROJECT:	
LOCATION:	
QUANTITY:	
CONTACT:	
PHONE:	
EMAIL:	

EXAMPLE: TWP26-B-N4-DX-27

MODEL	FINISH	MOUNTING	DIMMING	COLOR TEMPERATURE
TWP26				