

ADW12

12W DIM-TO-WARM TRACKHEAD

MANUFACTURED IN THE UNITED STATES - IBEW



PRODUCT LISTED
BY A NATIONALLY
RECOGNIZED
TESTING
LABORATORY



Times Square Lighting's Dim-to-Warm Series recreates the natural warm glow of incandescent light in a modern LED platform. Using a high-performance 12-watt Bridgelux Vesta DW LED, the fixtures deliver 1100 to 1300 lumens with a smooth color temperature transition to 1800K as they dim. Compatible with ELV, forward phase, or 0-10V dimmers, the Dim-to-Warm Series provides seamless integration into both new and existing control systems with no special drivers or programming required. Multiple beam spreads are available from a 12° spot to a broad 60° flood, with optional louvers, barndoors, and spread lenses. Available in black, white, silver, or custom finishes, this series is ideal for restaurants, hotels, spas, and other human-centric environments.

LED SPECIFICATIONS

- 12-watt Bridgelux Vesta Series Dim-to-Warm LED
- Color Temperature Range Options: 3000K to 1800K or 2700K to 1800K
- CRI: 90 or 95
- Superior Incandescent-like Dimming

CONSTRUCTION

- Aluminum housing with black, white or silver finish
- Accepts up to 3 accessories
- Weight: 3 lbs.

ELECTRICAL

- No UV or IR
- Integral electronic driver
- 100-277V, 50/60Hz
- Meets FCC 47 CFR Part 15/18 Requirements

FIXTURE LED SPECIFICATIONS

CCT RANGE	CRI	LUMENS	WATTAGE	LUMENS PER WATT
3000K to 1800K	95	1218	11.80	103
2700K to 1800K	95	1159	11.80	98
3000K to 1800K	90	1384	11.80	117
2700K to 1800K	90	1313	11.80	111

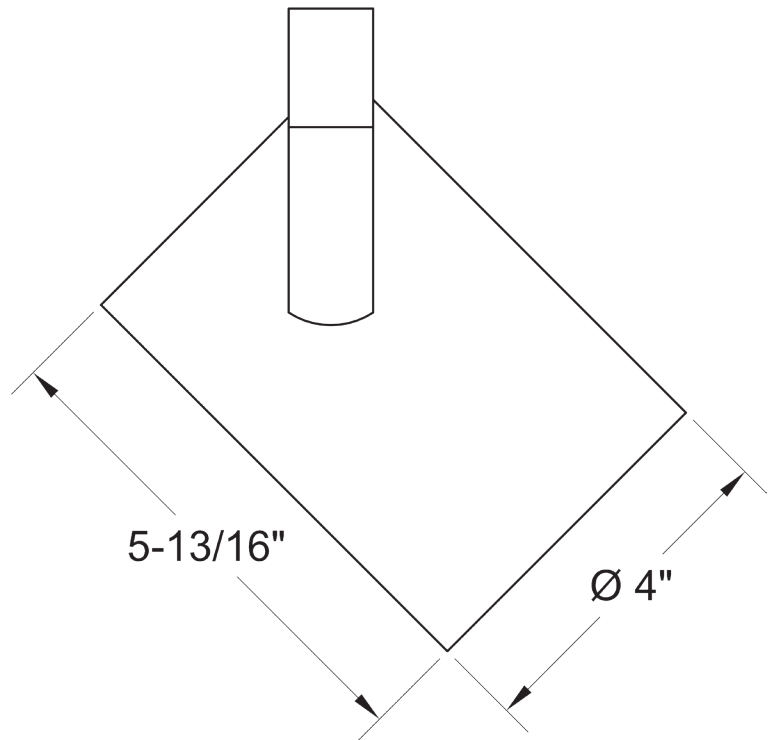
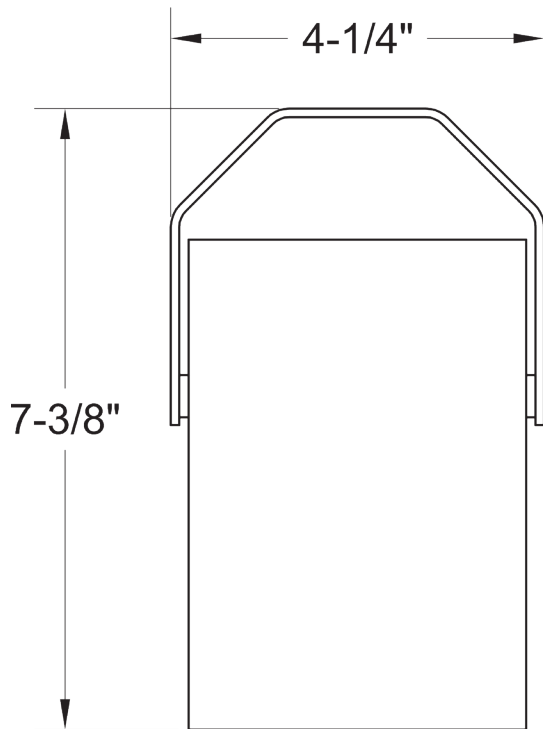
ADW12

12W DIM-TO-WARM TRACKHEAD

MANUFACTURED IN THE UNITED STATES - IBEW



PRODUCT LISTED
BY A NATIONALLY
RECOGNIZED
TESTING
LABORATORY





Light Up Your Design! Photometric data for this fixture is on its way. We're working hard to provide you with comprehensive performance details to help you illuminate your projects perfectly. **Stay tuned!**

ADW12

12W DIM-TO-WARM TRACKHEAD

MANUFACTURED IN THE UNITED STATES - IBEW



PRODUCT LISTED
BY A NATIONALLY
RECOGNIZED
TESTING
LABORATORY

MOUNTING OPTIONS

DT2 2-circuit track adapter for SpecTrack databus. 120V.

HDT2 2-circuit track adapter for SpecTrack databus. 277V.

AD1 Track adapter for commercial grade 1-circuit track.
Good for use with small, lightweight fixtures.

TA2 Track adapter for G-Series specification grade
2-circuit track. 120V.

HTA2 Track adapter for G-Series specification grade
2-circuit track. 277V.

TA3 Track adapter for G-Series specification grade
3-circuit track. 120V.

CM4 Canopy Mount

US1 6-5/8" x 1-1/2" Unistrut Adapter

TB8 8" x 8" Portable table base for floor and
table use

MC Light duty pipe clamp for small fixtures.
For pipes up to 1 5/16" O.D.

MN Medium duty pipe clamp for small to large fixtures.
For pipes up to 2" O.D.

PC9M Heavy duty pipe clamp for large, heavy fixtures.
For pipes up to 2" O.D.

ACCESSORIES

BD20	Barndoor
LV22	Full Size Louver
XL22	Full Size X Baffle Louver
XH22	Full Size X Baffle Hood
HD22	Hood/Snoot
X00517	Accessory Holder
LV18*	Honeycomb Louver
FX22-26*	Red Filter
FX22-80*	Blue Filter
FX22-64*	Light Blue Filter
FX22-90*	Green Filter
FX22-21*	Amber Filter
FX22-10*	Yellow Filter
FX22-33*	Pink Filter
OF22-9101*	Smoothing Frost Filter
OF22-0S20*	20° Beam Softener
OF22-1060*	Linear Spread 10 x 60 Degree
OF22-0S30*	Beam Soft Filter
OF22-0S40*	40/60 Degree Diffusion
CC18	Coil Cord Option
SC024	Safety Cable

* X00517 Required. Wide Range of Colors Available

NOTES ON DIMMING

Visit tslight.com/resources or scan the QR Code.



SPECIFY:

MODEL	CRI	CCT
ADW12	95 = 95 CRI 90 = 90 CRI	30 = 3000 27 = 2700
FINISH	VOLTAGE	OPTICS
B = Black W = White S = Silver CC = Custom	120 = 120V 277 = 277V	12 = 12 20 = 20 40 = 40 60 = 60
MOUNTING		DIMMING
See Mounting Options for Ordering Codes		TE = ELV LE = Leading Edge 010 = 0-10V

ORDERING INFORMATION

PROJECT:	
LOCATION:	
QUANTITY:	
CONTACT:	
PHONE:	
EMAIL:	

EXAMPLE: ADW12-9530-B-120-AD1-TE

MODEL	CRI	CCT	FINISH	VOLTAGE	OPTICS	MOUNTING	DIMMING
ADW12							