

# CR SERIES

CREE LED

MANUFACTURED IN THE UNITED STATES - IBEW



PRODUCT LISTED BY A NATIONALLY RECOGNIZED TESTING LABORATORY



The CR Series emphasizes efficiency and economy and boasts the highest lumens per watt rating of any Times Square Lighting fixture to date. It is designed for a short to medium throw applications. The CR can be fitted with up to three accessories, including barn doors, louvers and lenses. This versatile fixture is available with a wide variety of mounting and dimming options, allowing for a huge range of customization possibilities.

The CR is available in standard black, white, or silver finishes. Custom colors are available upon request.

## LED SPECIFICATIONS

- Cree XLamp LED array
- Color Temperature Options: 2700K, 3000K, 3500K, 4000K, 5000K, 5700K, 6500K
- CRI: 80 standard or 92 optional
- Lumen Maintenance: 90% of initial lumen output at 33,000 hours on LM-80 testing
- No UV or IR

MODEL	CRI	TOTAL WATTAGE*	LUMENS	EFFICACY (LM/W)
CR9	80 / 92	5.6 / 6.4	900 / 900	161 / 141
CR12	80 / 92	7.7 / 9.0	1200 / 1200	156 / 133
CR15	80 / 92	9.7 / 11.4	1500 / 1500	155 / 132
CR18	80 / 92	11.4 / 15.0	1800 / 1800	158 / 120
CR20	80 / 92	13.3 / 15.8	2000 / 2000	150 / 127
CR25	80 / 92	18.0 / 23.4	2500 / 2500	139 / 107
CR27	92	25.0	2700	108
CR30	80 / 92	23.4 / 30	3000 / 3000	128 / 100
CR35	80	30.00	3500	117

\* Total wattage equals LED plus driver. Delivered lumen may vary depending on LED module, color temperature, optics, and accessories. Testing done with 3000K LED array.

## DIMMING

- Trailing edge (ELV): 120V / 277V
- Leading edge (Triac): 120V only
- 0-10V: 120V / 277V
- IP (Integral Pot) dimming available
- Lutron ecosystem premier driver available, featuring dimming to 0.1% and soft on/soft off incandescent like dimming. Only available on fixtures 20 watts or less.

## CONSTRUCTION

- Steel & aluminum housing with black, white or silver finish
- 0-180° tilt, 360° rotation
- Accepts up to 3 accessories
- Weight: 3 lbs.

## ELECTRICAL

- Integral electronic driver
- 100-277V, 50/60Hz
- Meets FCC 47 CFR Part 15/18 Requirements

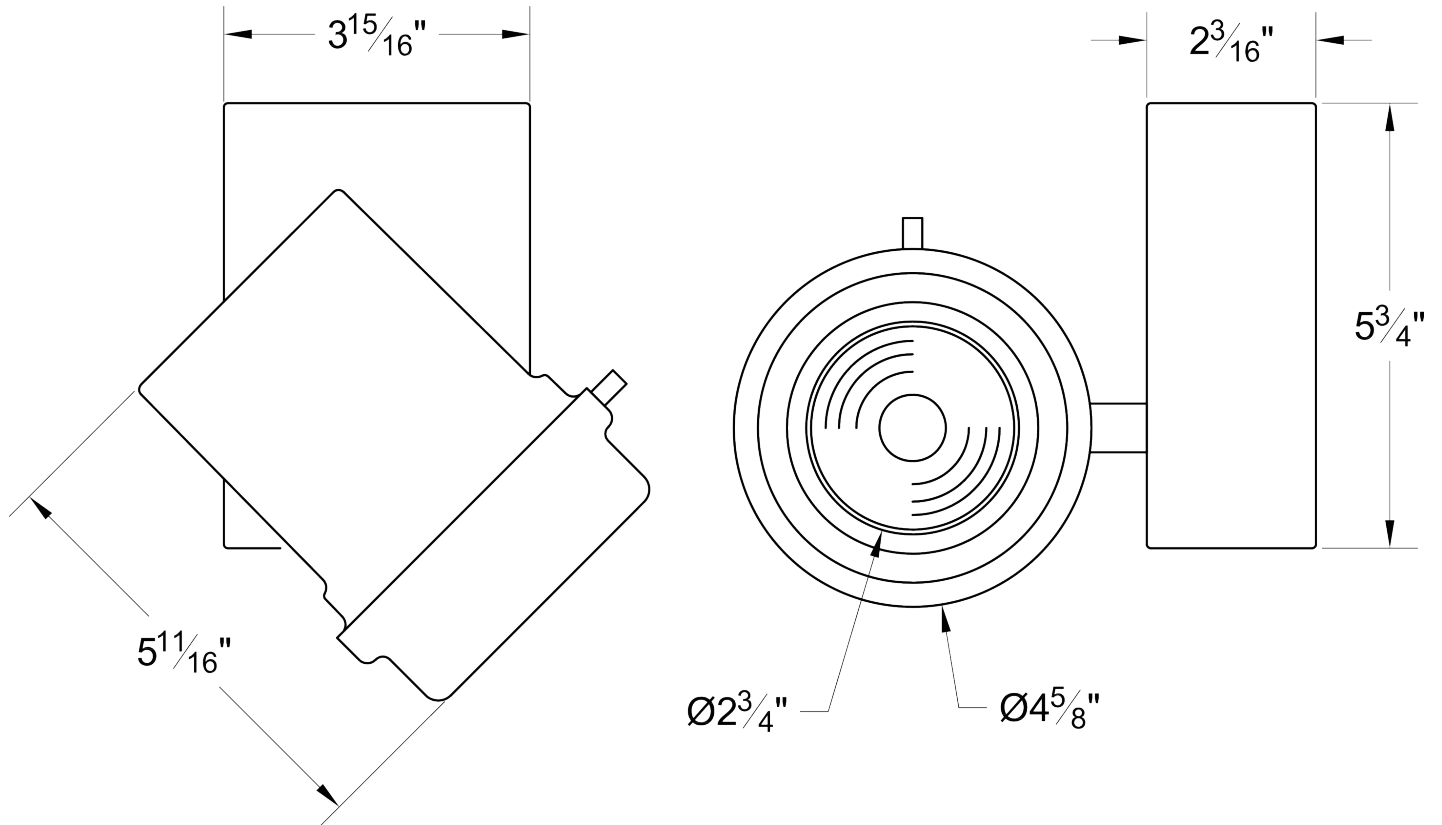
# CR SERIES

CREE LED

MANUFACTURED IN THE UNITED STATES - IBEW



PRODUCT LISTED  
BY A NATIONALLY  
RECOGNIZED  
TESTING  
LABORATORY

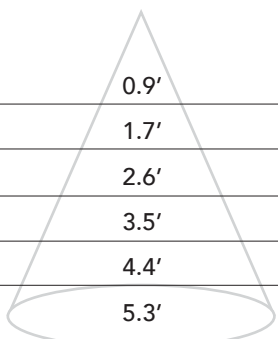


## OPTICS | 10°, 20°, 40°, and 60° Field-Changeable Reflectors

CBCP:	CR9	CR12	CR15	CR18	CR20	CR25	CR30	CR35
10°	6500	8900	11500	12600	14000	18000	23000	29000
20°	3100	4250	5500	6030	6700	8600	11000	13900
40°	1850	2500	3250	3600	4000	5100	6500	7100
60°	980	1350	1750	2100	2425	3200	3700	4150

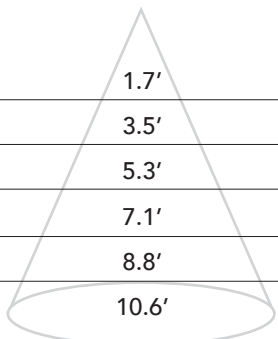
Testing done at 3000K, 80 CRI.

Distance **10° Spot Reflector** Footcandles  
Beam Spread



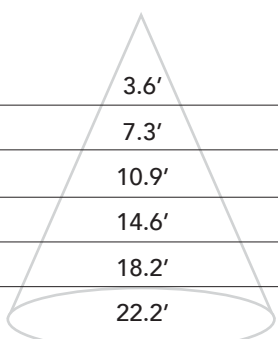
Distance	Beam Spread	CR9	CR12	CR15	CR18	CR20	CR25	CR30	CR35
5'	0.9'	260	356	460	504	560	720	920	1160
10'	1.7'	65	89	115	126	140	180	230	290
15'	2.6'	29	40	51	56	62	80	102	129
20'	3.5'	16	22	29	32	35	45	58	73
25'	4.4'	10	14	18	20	22	29	37	46
30'	5.3'	7	10	13	14	16	20	26	32

Distance **20° Spot Reflector** Footcandles  
Beam Spread



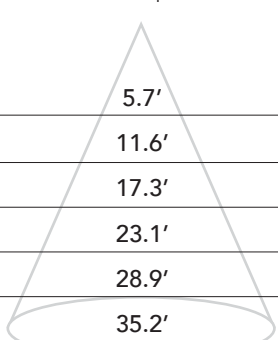
Distance	Beam Spread	CR9	CR12	CR15	CR18	CR20	CR25	CR30	CR35
5'	1.7'	126	170	220	241	268	344	440	556
10'	3.5'	31	43	55	60	67	86	110	139
15'	5.3'	14	19	24	27	30	38	49	62
20'	7.1'	8	11	14	15	17	22	28	35
25'	8.8'	5	7	9	10	11	14	18	22
30'	10.6'	-	6	6	7	7	10	12	15

Distance **40° Medium Reflector** Footcandles  
Beam Spread



Distance	Beam Spread	CR9	CR12	CR15	CR18	CR20	CR25	CR30	CR35
5'	3.6'	74	100	130	144	160	204	260	284
10'	7.3'	19	25	33	36	40	51	65	71
15'	10.9'	8	11	15	16	18	23	29	32
20'	14.6'	5	6	8	9	10	13	16	18
25'	18.2'	-	-	5	6	6	8	10	11
30'	22.2'	-	-	-	-	-	6	7	8

Distance **60° Flood Reflector** Footcandles  
Beam Spread



Distance	Beam Spread	CR9	CR12	CR15	CR18	CR20	CR25	CR30	CR35
5'	5.7'	39	54	70	85	97	128	148	166
10'	11.6'	10	14	18	21	24	32	37	42
15'	17.3'	5	6	8	9	11	14	16	18
20'	23.1'	-	5	5	5	6	8	9	10
25'	28.9'	-	-	-	-	5	5	6	7
30'	35.2'	-	-	-	-	-	-	-	5

# CR SERIES

CREE LED

MANUFACTURED IN THE UNITED STATES - IBEW



PRODUCT LISTED  
BY A NATIONALLY  
RECOGNIZED  
TESTING  
LABORATORY

## MOUNTING OPTIONS

DT2 2-circuit track adapter for SpecTrack databus. 120V.

HDT2 Track adapter for SpecTrack 2-Circuit data track. 277V.

T1 Track Adapter for commercial grade 1 & 2 circuit track. 120V. For use with larger, heavier fixtures.

TA2 Track adapter for G-Series specification grade 2-circuit track. 120V.

LP2 Low profile 2-circuit track adapter for SpecTrac databus. 120V.

HTA2 Track adapter for G-Series specification grade 2-circuit track. 277V.

TA3 Track adapter for G-Series specification grade 3-circuit track. 120V.

CM4 Canopy Mount

US1 6-5/8" x 1-1/2" Unistrut Adapter

TB8 8" x 8" Portable table base for floor and table use

MC Light duty pipe clamp for small fixtures. For pipes up to 1 5/16" O.D.

MN Medium duty pipe clamp for small to large fixtures. For pipes up to 2" O.D.

PC9M Heavy duty pipe clamp for large, heavy fixtures. For pipes up to 2" O.D.

## EXTENSION WANDS

SP 12	12" Stem
SP 18	18" Stem
SP 24	24" Stem
SP X	Custom Length

## ACCESSORIES

LV6	Louwer
XL6	Cross Baffle Louwer
BD10	Barndoor
HD6	Hood
XH6	Cross Baffle Hood
X00517	Glass / Dichroic Holder
FX22-26*	Red Filter
FX22-80*	Blue Filter
FX22-64*	Light Blue Filter
FX22-90*	Green Filter
FX22-21*	Amber Filter
FX22-10*	Yellow Filter
FX22-33*	Pink Filter
OF22-9101*	Smoothing Frost Filter
OF22-0S20*	20° Beam Softener
OF22-1060*	Linear Spread 10 x 60 Degree
OF22-0S30*	Beam Soft Filter
OF22-0S40*	40 / 60 Degree Diffusion
GF22-600*	5° x 50° Linear Lens
GF22-601*	Beam Softener
GF22-673*	50°x 50° Spread Lens
CC18	Coiled Cord
SC-24	Safety Cable

\* X00517 Required. Wide range of colors available.

## NOTES ON DIMMING

Visit [tslight.com/resources](https://tslight.com/resources) or scan the QR Code.



**SPECIFY:**

MODEL	LUMENS	CRI	
CR	9 = 900 12 = 1200 15 = 1500 18 = 1800 20 = 2000 25 = 2500 27 = 2700 * 30 = 3000 35 = 3500 **	80 92	
COLOR TEMPERATURE	FINISH	VOLTAGE	
27 = 2700K 30 = 3000K 35 = 3500K 40 = 4000K 50 = 5000K 57 = 5700K ** 65 = 6500K **	B = Black W = White S = Silver CC = Custom Color	100 †† 120 240 277	
OPTICS	MOUNTING	DIMMING †	ACCESSORIES
10 = 10° 20 = 20° 25 = 25° 40 = 40° 60 = 60° ZO = 14°-40° Zoom Optics ^	See Mounting Options for Ordering Codes	TE = Trailing Edge *** LE = Leading Edge ◇ 010 = 0-10V ND = Non-Dimming IP = Integral Pot DMX = DMX Basic ECP = Ecosystem premier 0.1% dim CA = Casambi	See Accessory Options for Ordering Codes

Maximum Ambient Temperature: 35°C  
 Maximum Operating Angle: 45° from vertical

\* 92 CRI Only \*\* 80 CRI Only  
 ^ Maximum 2000 Lumens  
 \*\*\* 277V TE available on 1800, 2500, & 3000 lumen, 80 CRI and 1500 & 2700 lumen, 92 CRI Only.

† See "Notes on Dimming"  
 †† Non-Dim or 0-10V Dimming Only  
 ◇ 120V Only

**ORDERING INFORMATION**

PROJECT:	
LOCATION:	
QUANTITY:	
CONTACT:	
PHONE:	
EMAIL:	

**EXAMPLE:** CR9-80-27-B-120-20-AD1-TE-LV3

MODEL	LUMENS	CRI	COLOR TEMPERATURE	FINISH	VOLTAGE	OPTICS	MOUNTING	DIMMING	ACCESSORIES
CR									