

MCR SERIES

TRACK LIGHT

MANUFACTURED IN THE UNITED STATES - IBEW



The MCR is suited for medium to long throws. This power saving fixture can produce up to 175 lumens per watt. It features passive cooling, a long-life LED, and 1% dimming. Multiple mounting options, accessories, and dimming types are available.

CONSTRUCTION

- Steel & aluminum housing with black, white or silver finish
- Weight: 3 lbs.

ELECTRICAL

- Integral electronic driver
- 120-277V, 50/60Hz
- Meets FCC 47 CFR Part 15/18 Requirements

DIMMING

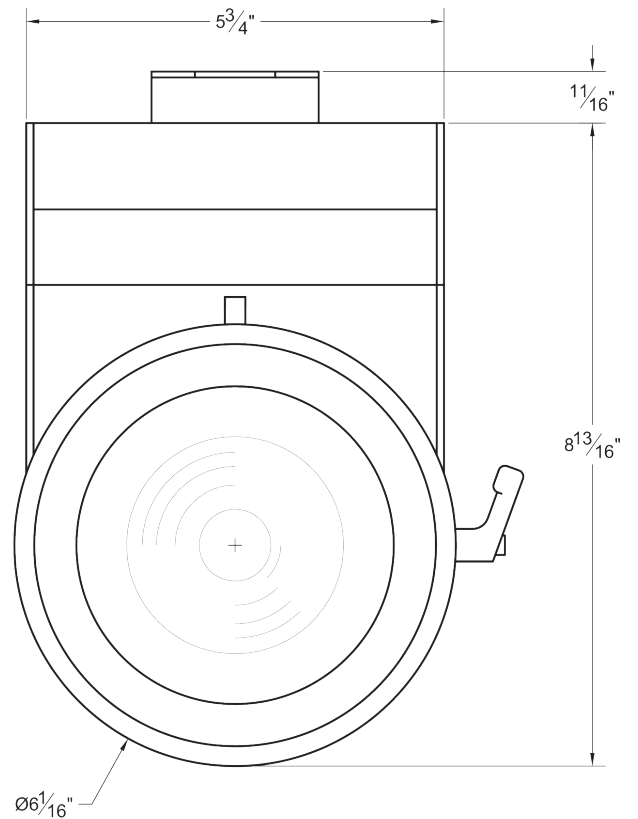
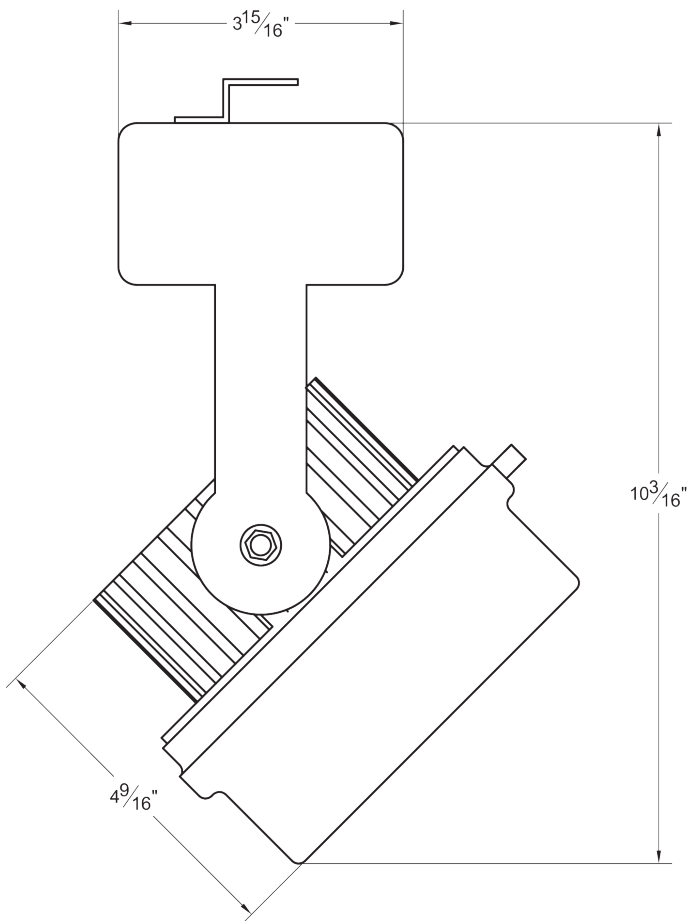
- 1% dim for all 120V options except IP
- Trailing edge (ELV): 120V / 277V
- Leading edge (Triac): 120V only
- 0-10V: Canopy, STA, STA1 or HSTA mounting options only.
- IP (Integral Pot) dimming available
- Lutron ecosystem premier driver available, featuring dimming to 0.1% and soft on/soft off incandescent like dimming. Only available on fixtures 20 watts or less.

CRI	LUMENS	WATTS	LUMENS PER WATT
80	1000	5.7	175
80	2000	11.6	172
80	2800	16.4	171
80	3700	23	161
80	5000	35	143
92	800	5.7	140
92	1600	11.6	138
92	2200	16.4	134
92	3000	23	130
92	4100	35	117

MCR SERIES

TRACK LIGHT

MANUFACTURED IN THE UNITED STATES - IBEW

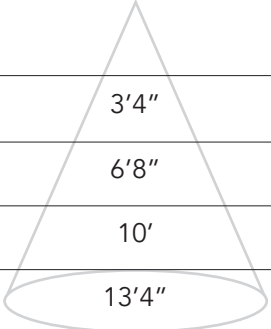


PHOTOMETRIC DATA

Results for 5000 Lumen Output. For other Lumen outputs, use the *Other Lumen Output Multipliers* charts.

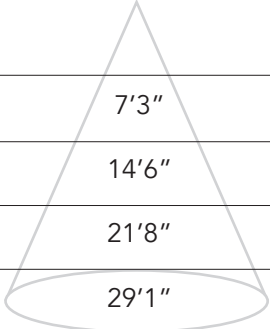
20° Spot Reflector

Distance	Beam Spread	Footcandles
10'	3'4"	197
20'	6'8"	50
30'	10'	22
40'	13'4"	12



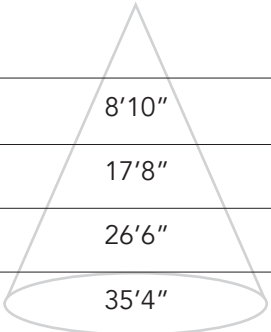
40° Spot Reflector

Distance	Beam Spread	Footcandles
10'	7'3"	68
20'	14'6"	17
30'	21'8"	7
40'	29'1"	4



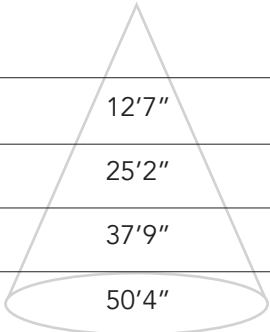
48° Spot Reflector

Distance	Beam Spread	Footcandles
10'	8'10"	51
20'	17'8"	13
30'	26'6"	5
40'	35'4"	3



64° Spot Reflector

Distance	Beam Spread	Footcandles
10'	12'7"	33
20'	25'2"	8
30'	37'9"	3
40'	50'4"	2



OTHER LUMEN MULTIPLIERS CHARTS

FOR 80 CRI LUMEN OUTPUT	FOOTCANDLES
1000	.20
2000	.40
2800	.56
3700	.74

FOR 90 CRI LUMEN OUTPUT	FOOTCANDLES
800	.16
1600	.33
2200	.46
3000	.60
4100	.82

MCR SERIES

TRACK LIGHT

MANUFACTURED IN THE UNITED STATES - IBEW



MOUNTING OPTIONS

DT2 2-Circuit track adapter for SpecTrack Databus. 120V.

HDT2 Track adapter for SpecTrack 2-Circuit data track. 277V.

T1 Track Adapter for commercial grade 1 & 2 circuit track. 120V. For use with larger, heavier fixtures.

TA2 Track adapter for G-Series specification grade 2-circuit track. 120V.

HTA2 Track adapter for G-Series specification grade 2-circuit track. 277V.

TA3 Track adapter for G-Series specification grade 3-circuit track. 120V.

CM4 Canopy Mount

US1 6-5/8" x 1-1/2" Unistrut Adapter

TB8 8" x 8" Portable table base for floor and table use

MC Light duty pipe clamp for small fixtures. For pipes up to 1 5/16" O.D.

MN Medium duty pipe clamp for small to large fixtures. For pipes up to 2" O.D.

PC9M Heavy duty pipe clamp for large, heavy fixtures. For pipes up to 2" O.D.

EXTENSION WANDS

SP 12	12" Stem
SP 18	18" Stem
SP 24	24" Stem
SP X	Custom Length

ACCESSORIES

LV8	Louver
XL8	Cross Baffle Louver
BD7A	Barndoor
HD8	Hood
XH8	Cross Baffle Hood
SH8	Sparkle Hood
CF8	Color Frame
GF8	Glass Color Filter
DF8	Dichroic Color Filter
GF8-600	5° x 50° Linear Lens
GF8-601	Beam Softener
GF8-673	50° x 50° Spread Lens
CC18	Coiled Cord
SC-24	Safety Cable
IP	Integral Dimmer
WL	Wrench Locking

NOTES ON DIMMING

Visit tslight.com/resources or scan the QR Code.



SPECIFY:

MODEL	LUMENS	CRI	
MCR	8 = 800 * 10 = 1000 ** 16 = 1600 * 20 = 2000 ** 22 = 2200 * 28 = 2800 ** 30 = 3000 * 37 = 3700 ** 41 = 4100 * 50 = 5000 **	80 92	
COLOR TEMPERATURE	FINISH	VOLTAGE	
27 = 2700K 30 = 3000K 35 = 3500K 40 = 4000K 50 = 5000K * 57 = 5700K **	B = Black W = White S = Silver CC = Custom Color	120 240 277	
OPTICS	MOUNTING	DIMMING †	ACCESSORIES
20 = 20° 40 = 40° 48 = 48° 64 = 64°	See Mounting Options for Ordering Codes	TE = Trailing Edge *** LE = Leading Edge (120V Only) 010 = 0-10V IP = Integral Pot †† ECP = Ecosystem premier 0.1% dim	See Accessory Options for Ordering Codes

Maximum Ambient Temperature: 35°C
 Maximum Operating Angle: 45° from vertical

* 92 CRI Only ** 80 CRI Only
 *** Not available with 800 or 1000 lumen fixtures at 277V

† See "Notes on Dimming"
 †† Not available with 800, 1000, 5000, or 4100 lumen fixtures.

ORDERING INFORMATION

PROJECT:	
LOCATION:	
QUANTITY:	
CONTACT:	
PHONE:	
EMAIL:	

EXAMPLE: MCR16-9230-B-120-40-CM4-TE

MODEL	LUMENS	CRI	COLOR TEMPERATURE	FINISH	VOLTAGE	OPTICS	MOUNTING	DIMMING	ACCESSORIES
MCR									