

**RECESSED CELESTE™ SERIES NEW CONSTRUCTION INSTALLATION INSTRUCTIONS  
- SAVE THESE INSTRUCTIONS**

**OBSERVE ALL SAFETY AND OPERATING INSTRUCTIONS BELOW:**

**Caution!** Read and understand these entire instructions before proceeding!

**Warning!** All electrical installations must be done according to local codes or the National Electric Code (NEC), whichever applies.

**Warning! Risk Of Fire!** MOST DWELLINGS BUILT BEFORE 1985 HAVE SUPPLY WIRE RATED FOR 60°C! This fixture requires supply wires rated for 75°C minimum. INSTALLATION MUST BE PERFORMED BY QUALIFIED PERSONNEL ONLY!

**Warning!** Disconnect power at circuit breaker or fuse box BEFORE installing or servicing the fixture.

**Warning!** Do not connect this luminaire to an electrical system that does not provide a means for equipment grounding. INSTALLING A LUMINAIRE INTO AN ELECTRICAL SYSTEM NOT PROVIDED WITH A GROUNDING MEANS COULD ALLOW ALL METAL PARTS OF THE LUMINAIRE TO CARRY ELECTRICAL CURRENT IF ANY OF THE WIRES, WIRE CONNECTIONS, SPLICES OR COMPONENTS BECOME BROKEN, CUT, LOOSE, OR OTHERWISE DAMAGED DURING INSTALLATION OR NORMAL USE. THIS CONDITION COULD LEAD TO ELECTRICAL SHOCK AND COULD CAUSE SERIOUS INJURY OR DEATH! THE SAME WARNING APPLIES FOR AN IMPROPERLY GROUNDED LUMINAIRE!

**Warning!** Do not use this fixture if there are any damaged wires, cords or other parts.

**Caution!** The LED is a factory replacement item! There are NO user serviceable parts within the heat sink-LED portion of the fixture. This is referred to as the LED ASSEMBLY in this document.

**Caution!** This unit is to be installed in DRY locations only. Always store indoors.

**Caution!** This fixture can be used with ceilings of any type, including hung ceilings providing fixture is supported independently of the ceiling grid.

**Warning!** This fixture is NOT Chicago Plenum Rated unless Labeled as such.

**Warning!** This fixture is NOT IC (Insulation Contact) Rated unless Labeled as such. Do NOT install within 3" of any insulation material on the fixture sides or top, unless the fixture is Labeled as IC Rated.

**Caution!** Do not use this fixture in any way for which it was not intended.

**Caution!** Maximum ambient operating temperature is 40°C (104°F).

**Note:** All factory wiring inside the J-Box has insulation rated for line voltage, and therefore may occupy the same enclosure without a voltage barrier.

**Special notes for fixtures using DMX/RDM:**

**Caution!** Do not install this fixture on a circuit containing a dimmer. Damage to the luminaire may result.

**Note:** Make certain that the data cable wiring for the fixtures is in accordance with DMX512-A specifications.

**Note:** Data cable wiring should be limited to no more than 1000 ft. (approx. 300 meters) in length and connected in a "daisy-chain" fashion.

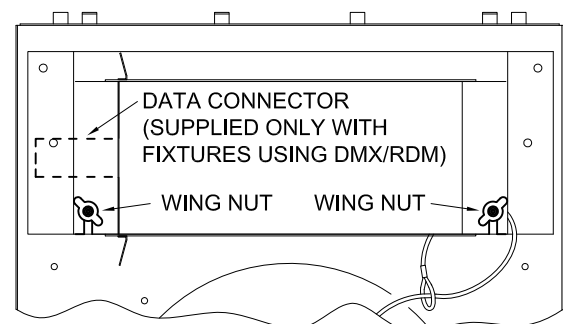
**Note:** 32 devices maximum may be placed on a single data cable run.

**MOUNTING THE J-BOX TO THE PAN**

Attach the J-BOX to the PAN using the two WING NUTS (see Diagram, right). Make certain the two slots in the J-BOX are fully engaged.

NOTE: This may have already been done at the factory.

NOTE: Fixtures using DMX/RDM will have an blue DATA CONNECTOR attached to the side of the J-BOX. Make certain that this is not damaged when tightening the WING NUTS.



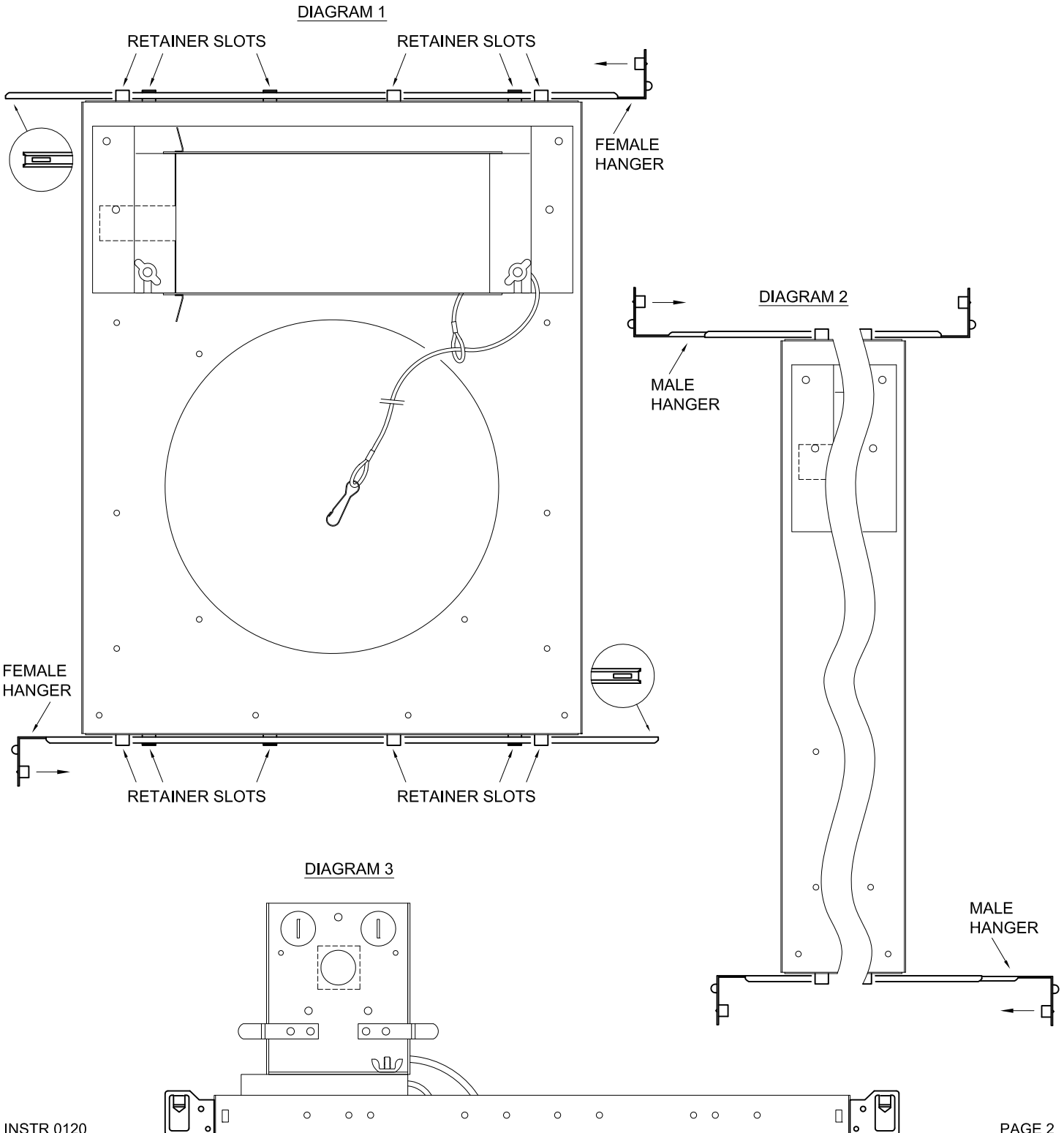
# MOUNTING THE PAN WITH BAR HANGERS (SEE ALSO PAGE 6 FOR EXACT DIMENSIONS)

NOTE: If BUTTERFLY BRACKETS are to be used, then skip this section and go to the section "MOUNTING THE PAN WITH BUTTERFLY BRACKETS."

## PREPARING THE PAN FOR MOUNTING:

1) The BAR HANGERS come in sets, and each set has a MALE and FEMALE hanger. Slide the *FEMALE HANGERS* through the PAN RETAINER SLOTS (see Diagram 1).

2) Slide the MALE HANGERS into the FEMALE HANGERS (see Diagram 2). NOTE: Diagram 3 is a side view of Diagram 2. The PAN is ready for mounting. NOTE: The J-BOX can be removed before mounting the PAN and replaced after the PAN has been mounted. Simply loosen the two WING NUTS and slide the J-BOX out, away from the large center hole.



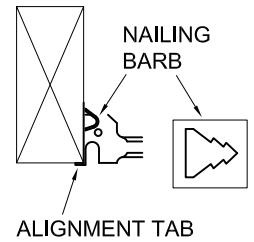
**MOUNTING THE PAN:**

1) Place the PAN between the ceiling runners\* and extend each HANGER such that each HANGER BASE (see Diagram, right) is flush against the ceiling runners.



\* Ceiling runners may consist of girders, beams, joists, truss, or any combination of these.

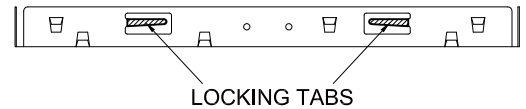
2) Adjust each BASE so that the PAN will end up at the appropriate height and parallel with the runners. NOTE: ALIGNMENT TABS on the bottom of the HANGER BASE should be resting against the bottom of the runners (see Diagram, right).



3) With suitable hardware (screws, nails, etc.) attach each BASE to the ceiling runners. NOTE: For runners comprised of wooden joists, the BASES are provided with NAILING BARBS (see Diagram, right). Simply hammer all four BARBS into the joists to secure the HANGERS.

4) Slide the PAN along the HANGERS until the fixture opening in the PAN is positioned in the desired location.

5) With a flat blade screwdriver, bend the four LOCKING TABS outward such that they "bite" into the HANGERS. this will prevent the PAN from shifting (see Diagram, right).

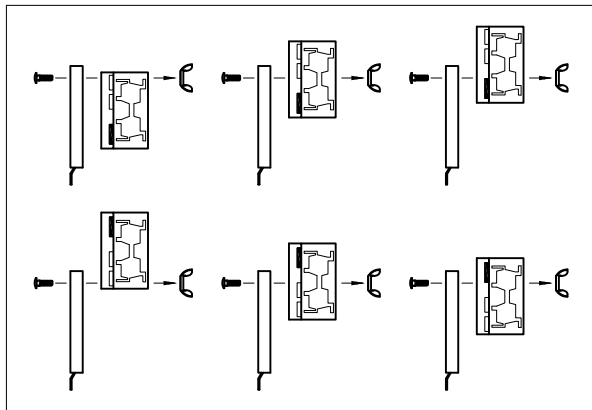
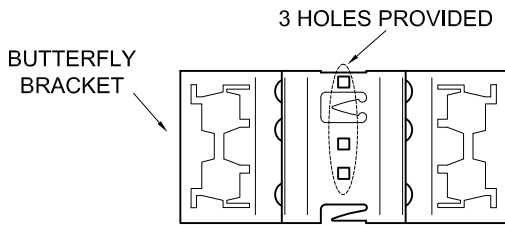


Continue to the section "MAKING ELECTRICAL CONNECTIONS."

**MOUNTING THE PAN WITH BUTTERFLY BRACKETS (SEE ALSO PAGE 6 FOR EXACT DIMENSIONS)**

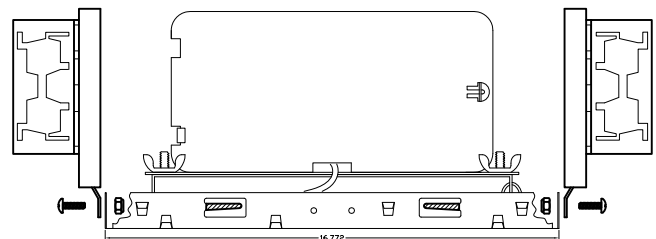
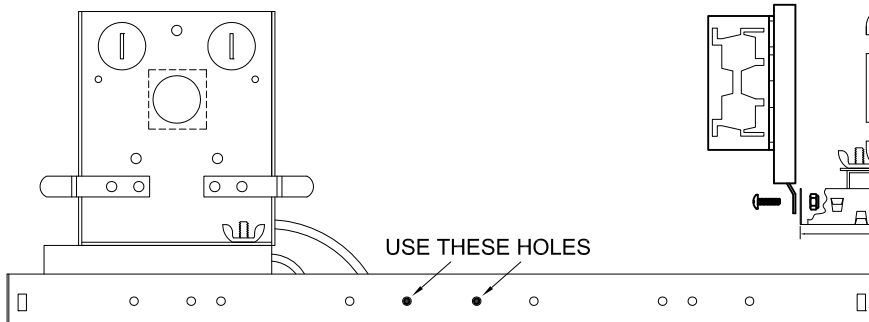
**PREPARING THE PAN FOR MOUNTING:**

1) Assemble the BUTTERFLY BRACKETS with the supplied wing nuts and carriage bolts. There are 3 square holes provided. Use the hole appropriate for the height of the ceiling runners\*. Tighten the wing nuts (see Diagrams below). The Diagram below, right shows 6 possible configurations.

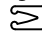


\* Ceiling runners may consist of ceiling tile grids, girders, beams, joists, truss, or any combination of these.

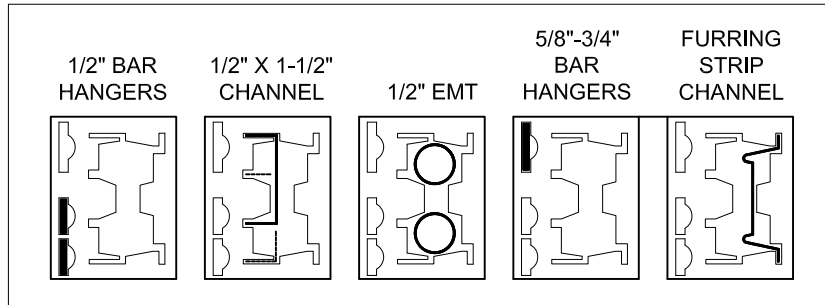
2) Attach the BUTTERFLY BRACKETS to the center of each long side of the PAN with the four screws and lock-nuts provided (see Diagrams below). The PAN is ready for mounting. NOTE: The J-BOX can be removed before mounting the PAN and replaced after the PAN has been mounted. Simply loosen the two wing nuts and slide the J-BOX out, away from the large center hole.



## MOUNTING THE PAN:

1) Install mounting channels\* horizontally through a pair of BUTTERFLY BRACKET slots (See Diagram below) and set the mounting channels onto the ceiling runners. NOTE: If 1/2" EMT is used, there is an arrowhead shaped tab  located in line with one of the slot-pairs on the BUTTERFLY BRACKET. If that slot-pair is used, then prying the tab outward 90° will allow it to "bite" into the EMT thereby preventing the fixture from shifting. Gently squeeze the BUTTERFLY BRACKET in order to slip the EMT into the slot pair and release.

\* Mounting channels may consist of bar hangers, metal channels, 1/2" EMT, or any combination of these.



2) Using the wing nuts on the BUTTERFLY BRACKETS, set the PAN to the appropriate height. The bottom surface of the PAN should be flush with the bottom surface of the runners to which the finished ceiling will be attached.

3) Secure the BUTTERFLY BRACKETS to the mounting channels using wire tie-downs (by others).

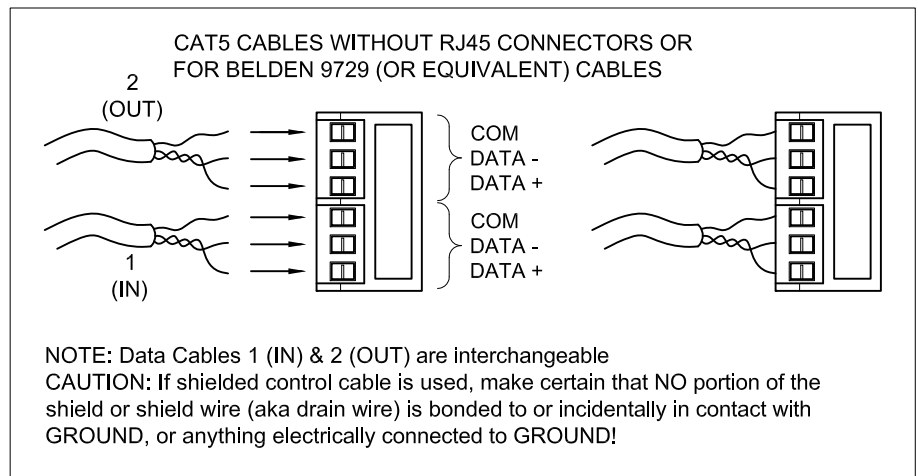
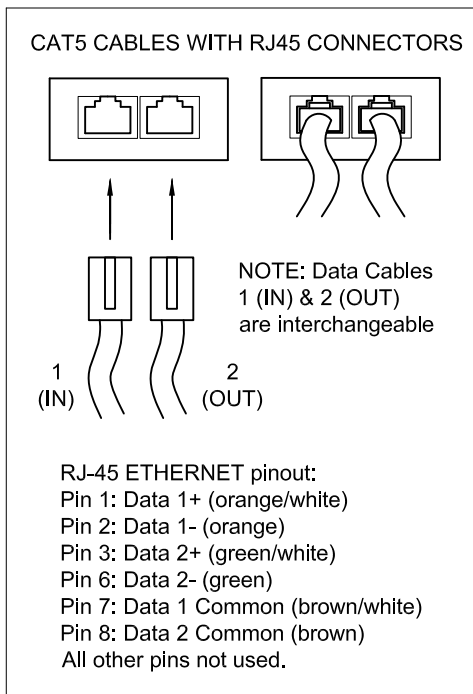
4) Secure the mounting channels to the ceiling runners using wire tie-downs (by others) or some other approved method.

## MAKING ELECTRICAL CONNECTIONS

1) Remove the J-BOX cover and make all line-voltage electrical connections within. Two 1/2" KO's are provided for electrical service entrance/exit. Refer to the list below for wire identification. The fixture is rated for daisy-chaining electrical connections. Replace cover after all electrical connections are made. NOTE: All factory wiring inside this enclosure has insulation rated for line voltage, and therefore may occupy the same enclosure without a voltage barrier.

BLACK (or BROWN) to HOT, WHITE (or BLUE) to NEUTRAL, GREEN to GROUND, and if required for 0-10V dimming, PINK to PINK and VIOLET to VIOLET. NOTE: Some older systems use GREY in lieu of VIOLET.

2) For DMX/RDM fixtures only: Connect data lines to the provided RJ45 (see Diagram below, left) or terminal block connectors (see Diagram below, right) on the blue DATA CONNECTOR attached to the side of the J-BOX.

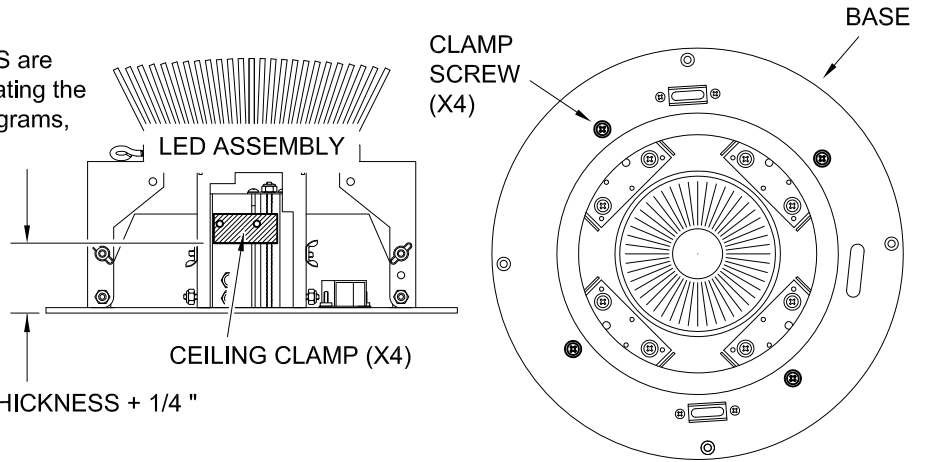


## LED ASSEMBLY INSTALLATION

1) Make certain that the four CEILING CLAMPS are set 1/4" higher than the ceiling thickness by rotating the four CLAMP SCREWS in the BASE (see Diagrams, right). Clockwise draws them closer to the base, counter-clockwise moves them further.

2) Remove the portion of the ceiling covering the LED ASSEMBLY hole in the pan.  
CAUTION! Do NOT make the ceiling hole any larger than the hole in the PAN!

CEILING THICKNESS + 1/4 "



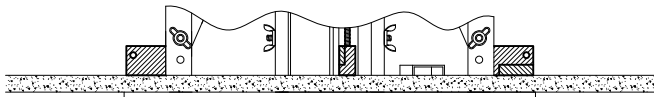
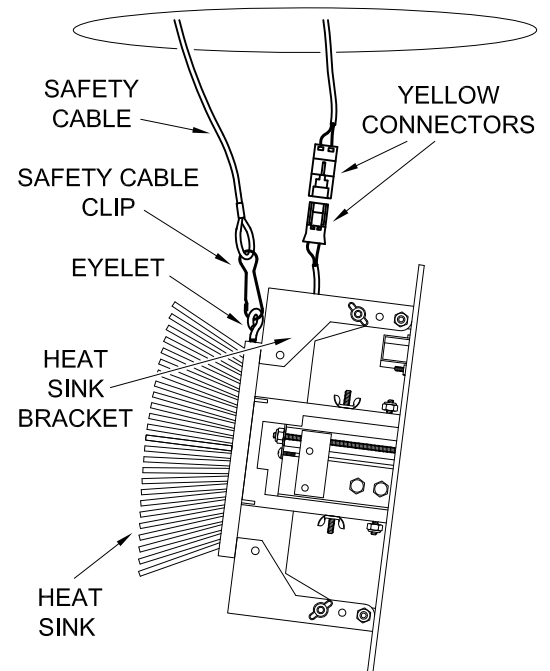
3) Gently pull the SAFETY CABLE down from the LED ASSEMBLY hole. Connect the SAFETY CABLE CLIP to the EYELET on the HEAT SINK (see Diagram, right). The fixture can now safely hang from the SAFETY CABLE.

4) Gently pull the upper fixture cable with the YELLOW CONNECTOR down from the LED ASSEMBLY hole. This cable is attached to the J-BOX secured to the PAN. Locate the YELLOW CONNECTOR attached to the cable from the HEAT SINK BRACKET and push the two YELLOW CONNECTORS together until they "click" (see Diagram, right).

5) Swing all four CEILING CLAMPS *inward* as far as they will go.

6) Having the BASE parallel to the ceiling, with one hand gently push the LED ASSEMBLY into the hole until the BASE is flush with the ceiling.

7) With the other hand, rotate all four CLAMP SCREWS clockwise until the CEILING CLAMPS are tight and the ceiling is sandwiched snugly between the BASE and the four CEILING CLAMPS (see Diagram below).

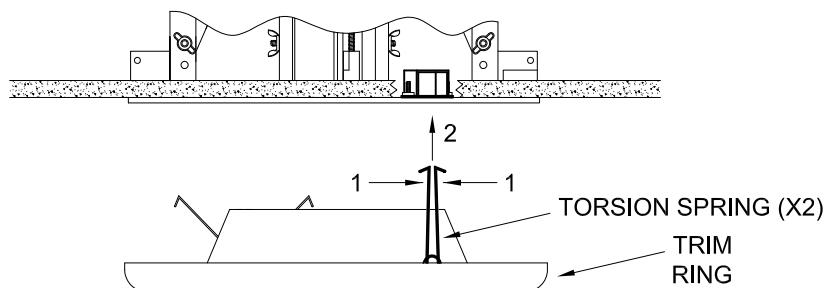
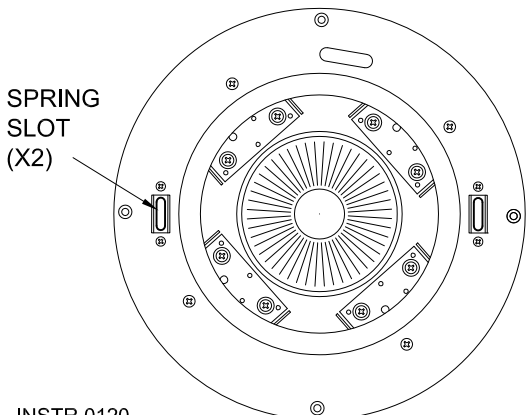


## TRIM RING INSTALLATION

1) Locate the two SPRING SLOTS on the BASE (see Diagram below, left).

2) Firmly compress one of the TORSION SPRINGS on the TRIM RING and insert the SPRING ends into the SPRING SLOT as shown (see Diagram below, right).

3) Repeat for the other SPRING and push the TRIM RING upward into place.



## REMOVING THE LED ASSEMBLY FOR SERVICING

- 1) Gently pull the TRIM RING down as far as it will go (about 2").
- 2) Firmly compress the two TORSION SPRINGS on the TRIM RING and completely remove the TRIM RING and set it aside.
- 3) While holding the LED ASSEMBLY in place with one hand, rotate the four CLAMP SCREWS counter-clockwise with the other until the CEILING CLAMPS are snug against the HEAT SINK BRACKETS.
- 4) Gently lower the LED ASSEMBLY and let it hang by the SAFETY CABLE.
- 5) Disconnect the YELLOW CONNECTORS.
- 6) While firmly holding the LED ASSEMBLY with one hand, disconnect the SAFETY CABLE CLIP from the EYELET with the other. The LED ASSEMBLY is now free and able to be serviced. Please note that the LED ASSEMBLY has NO user serviceable parts.

## REMOVING THE J-BOX FOR SERVICING

- 1) Complete all of the steps for the section "REMOVING THE LED ASSEMBLY FOR SERVICING" above.
- 2) Reach into the LED ASSEMBLY hole and loosen the two WING NUTS on either side of the J-BOX 3-4 turns.
- 3) Push the J-BOX back away from the hole about 1", then carefully lift it up, and move it over and down through the hole. It will extend as far as the electrical service wiring (and possibly data wiring) will allow. The driver is mounted to a removable tray that simply slides between two slots.
- 4) After servicing, reverse the steps above and make certain that the two WING NUTS are tight.

