

MOSAIC Inky

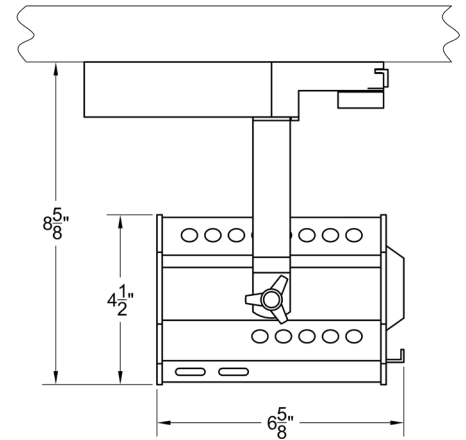
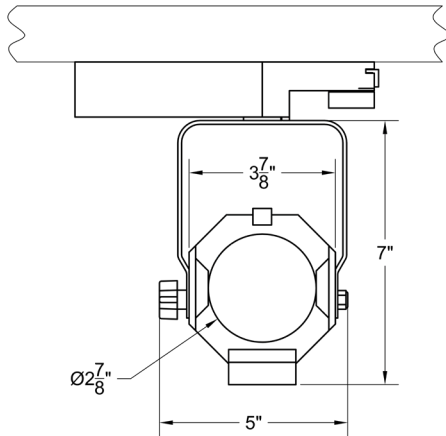


5 Holt Drive,
Stony Point, NY 10980
845-947-3034
www.tslight.com

Color Mixing and Tunable White

The Mosaic Inky features tunable color with a high CRI output. It also features tunable white from 1800K - 6500K. Rich blues, ambers, reds, violets and greens can be added in gradients or can completely saturate the output of the light. Interchangeable reflectors allow beam angles between 10° and 60°. This fixture is perfect for retail applications such as car dealerships and clothing stores but is equally well suited for illuminating artwork or using it in an archtainment setting.

- 2000 Lumen Output
- 5 DMX Channels
- **Color Tuning:** RGB+ Intensity+ CCT
- **Tunable range:** 1800K-6500K tunable white
- 84 - 95 CRI
- Dimmable from 100 - 0.1% at constant CCT
- <2 MacAdam ellipse over 50,000 hour life



Manufactured in the USA - IBEW



Power

- **Power Consumption:** 31W
Max. Operating Temp.: 104°F (40°C) ambient
- 90 - 305 VAC, 50/60 Hz
- Do not install on a circuit containing a dimmer.
- DMX Addressing is RDM-only.

Optics

- 10°, 20°, 40° or 60° field-changeable reflectors

Weight

- **Weight:** 2 lbs.

Emitter 5-Year Warranty

The warranty on the LED Emitter used in this Times Square Lighting product shall have a two year warranty from the date of purchase.



Ordering Matrix

Model	Finish	Optics	Mounting	Dimming*
C323	B - Black W - White S - Silver CC - Custom Color	10 = 10° 20 = 20° 40 = 40° 60 = 60°	See Mounting Options	DX = DMX / RDM

* Maximum Ambient Temperature 40° C

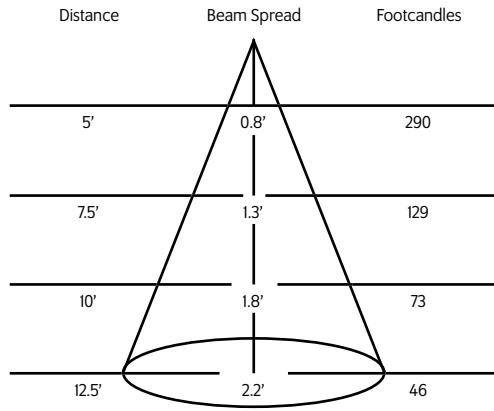
Example: C323-B-60-N8-DX

C323 - _____ - _____ - _____ - _____

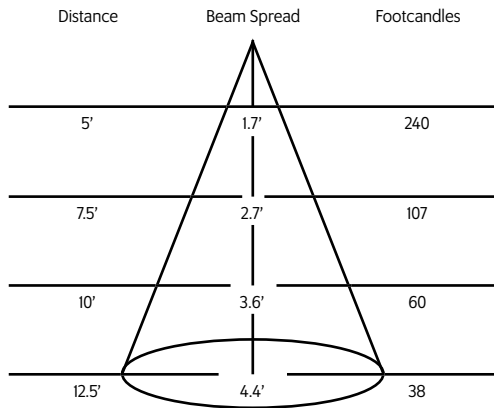
* Specification sheets are subject to change without notice.

Photometric Data 4000° K 95CRI

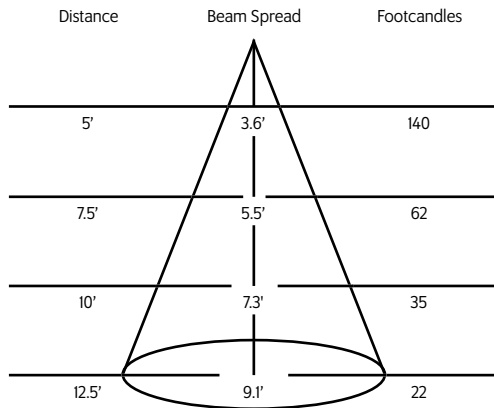
10° Spot Reflector



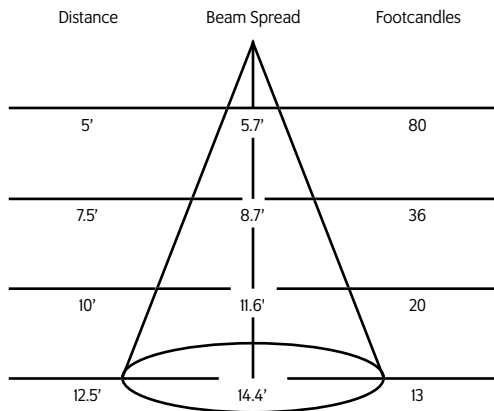
20° Spot Reflector



40° Medium Flood Reflector



60° Flood Reflector



Mounting Options

N8: for DT2 2-circuit track adapter for SpecTrac databus, 120V.

N9: for HDT2 2-circuit track adapter for SpecTrac databus, 277V.

Accessories

BD20	Barndoor
LV22	Full Size Louver
XL22	Full Size X Baffle Louver
XH22	Full Size X Baffle Hood
HD22	Hood/Snoot
X00517	Accessory Holder
LV18*	Honeycomb Louver
OF22-9101*	Smoothing Frost Filter
GF22-600*	5x50 Linear Lens
GF22-601*	Solite Softner
GF22-673*	50 x 50 Spread Lens
SC024	Safety Cable

* X00517 Required, not compatible with 10° reflector option.

Extension Wands

SP 12	12" Stem
SP 18	18" Stem
SP 24	24" Stem
SP X	Custom Length

Calibrated CCT Specs:

CCT [K]	Typical CRI
1800 (min)	90
2700	93
3000	95
3500	95
4000	93
6500 (max)	84

* For notes on dimming, please [click here](#).