

BR20 BRIGHTON

PATTERN & FRAMING PROJECTOR



The Brighton is a sleek and functional LED framing projector ideal for museums, restaurants, retail and hospitality projects. It features a 20° - 30° degree zoomable lens plus a built in iris and gobo slot for pattern projection. Its slim and attractive design ensures it will enhance the aesthetics of any architectural space.

FEATURES

- Stylish and compact design with integrated driver
- Designed for sharp or soft focused projection of light
- Four shutter blades for framing light
- Internal gobo slot for projecting customized artwork
- 360+ degree rotation without dead angle and 90 deg. vertical aiming
- 20° - 30° degree zoomable lens tube
- Built-in iris
- Takes an "E" Size Gobo

CONSTRUCTION

- Aluminum housing with black, or white finish
- Framing shutters
- Built-in Iris
- +45° to - 25° C operating temperature
- Weight: 3 lbs.

SPECIFICATIONS

- 100-277 VAC
- 15W
- 700 Lumen
- 2700K / 3000K / 3500K / 4000K
- 90+ CRI
- Phase dimmable (0-10V coming soon)
- Track or Monopoint Mounting

PHOTOMETRIC DATA

10° Spot Reflector

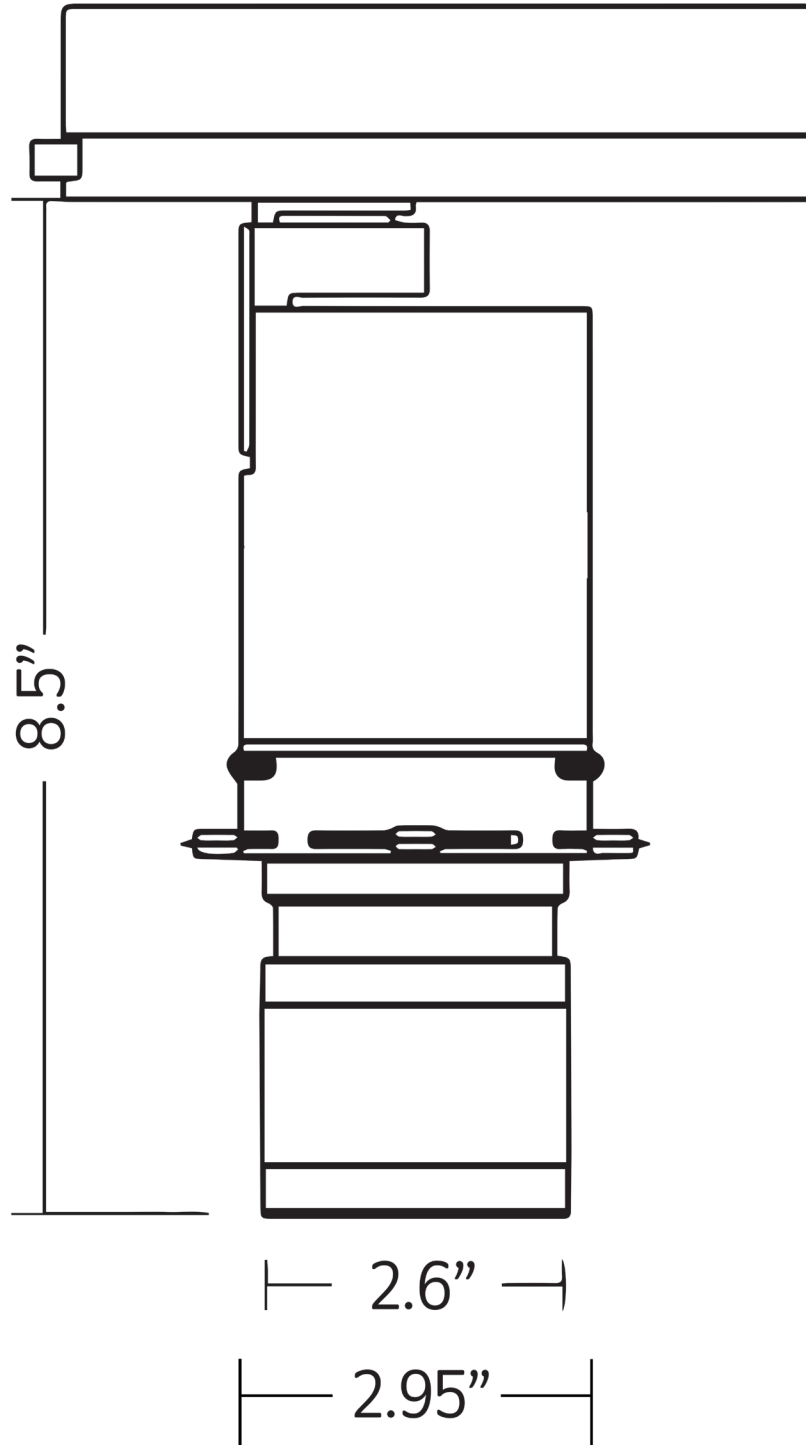
Distance	Beam Spread	Footcandles
7.5'	2'8"	110
10'	3'7"	62
12.5'	4'5"	40
15'	5'4"	28

10° Spot Reflector

Distance	Beam Spread	Footcandles
7.5"	4'2"	55
10'	5'6"	31
12.5'	6'11"	20
15'	8'4"	14

BR20 BRIGHTON

PATTERN & FRAMING PROJECTOR



MOUNTING OPTIONS

AD1 Track adapter for commercial grade 1-Circuit track. This adapter is “H” and Times Square compatible. 120V.

AD1-2 Track adapter for commercial grade 1-Circuit track. This adapter is “J” compatible. 120V.

AD1-4 Track adapter for commercial grade 1-Circuit track. This adapter is “L” compatible. 120V.

DT2 2-circuit track adapter for SpecTrack databus. 120V.

LP2 Low profile 2-circuit track adapter for SpecTrack databus. 120V.

TA2 Track adapter for G-Series specification grade 2-circuit track. 120V.

L020 Monopoint (for AD1)

GA70 Monopoint (for TA2)

ACCESSORIES

SPE Stock Pattern Steel
CPE Custom Pattern Steel
GPE Custom Pattern Glass

NOTES ON DIMMING

Visit tslight.com/resources or scan the QR Code.



BR20 BRIGHTON

PATTERN & FRAMING PROJECTOR



SPECIFY:

MODEL	LED MODULE	COLOR TEMPERATURE	
BR20	90	27 = 2700K	30 = 3000K
		35 = 3500K	40 = 4000K
FINISH	VOLTAGE	MOUNTING	DIMMING
B = Black W = White	120	See Mounting Options for Ordering Codes	TE = Trailing Edge LE = Leading Edge

ORDERING INFORMATION

PROJECT:	
LOCATION:	
QUANTITY:	
CONTACT:	
PHONE:	
EMAIL:	

EXAMPLE: BR20-90-27-W-120-TA2

MODEL	LED MODULE	COLOR TEMPERATURE	FINISH	VOLTAGE	MOUNTING	DIMMING
BR20						