

FCR SERIES

ADJUSTABLE RECESSED LED DOWNLIGHT

MANUFACTURED IN THE UNITED STATES - IBEW



The **FCR Series** recessed downlight is ideal for retail and commercial lighting applications. The FCR features a high performance LED module with 720 to 3500 lumen packages. Interchangeable reflectors allow beam angles between 20° and 60°. This fixture is perfect for retail applications such as car dealerships and clothing stores but is equally well suited for illuminating artwork or using it in an archtainment setting.

FEATURES

- Fixture is for remodel or new construction.
- ± 20 Aiming Angle.
- Fixture ships with RJ45 connectors or terminal blocks for data in/out.
- Weight: 2 lbs.

LED SPECIFICATIONS

- Cree XLamp LED array
- Color Temperature Options: 2700K, 3000K, 3500K, 4000K, 5000K, 5700K, 6500K
- CRI: 80 standard or 92 optional
- Lumen Maintenance: 90% of initial lumen output at 33,000 hours on LM-80 testing
- No UV or IR

ELECTRICAL

- Integral electronic driver
- 100-277V, 50/60Hz
- Meets FCC 47 CFR Part 15/18 Requirements

NOTES ON DIMMING

Visit tslight.com/resources

MODEL	CRI	TOTAL WATTAGE*	LUMENS	EFFICACY (LM/W)
FCR9	80 / 92	5.6 / 6.4	900 / 900	161 / 141
FCR12	80 / 92	7.7 / 9.0	1200 / 1200	156 / 133
FCR15	80 / 92	9.7 / 11.4	1500 / 1500	155 / 132
FCR18	80 / 92	11.4 / 15.0	1800 / 1800	158 / 120
FCR20	80 / 92	13.3 / 15.8	2000 / 2000	150 / 127
FCR25	80 / 92	18.0 / 23.4	2500 / 2500	139 / 107
FCR27	92	25.0	2700	108
FCR30	80 / 92	23.4 / 30	3000 / 3000	128 / 100
FCR35	80	30.0	3500	117

* Total wattage equals LED plus driver. Delivered lumen may vary depending on LED module, color temperature, optics, and accessories. Testing done with 3000K LED array.

OPTICS | 20°, 40°, and 60° Field-Changeable Reflectors

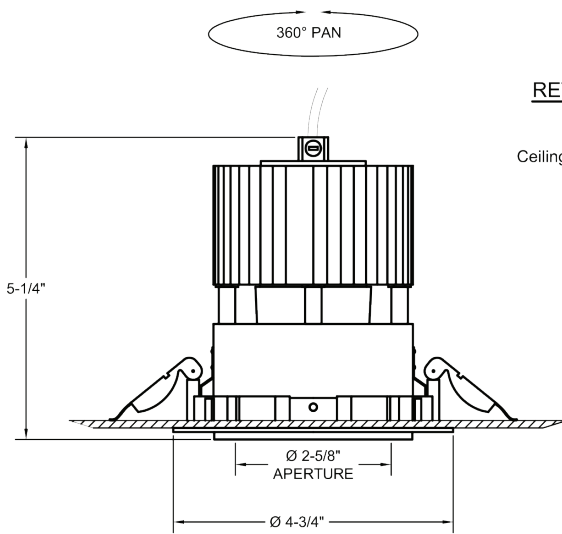
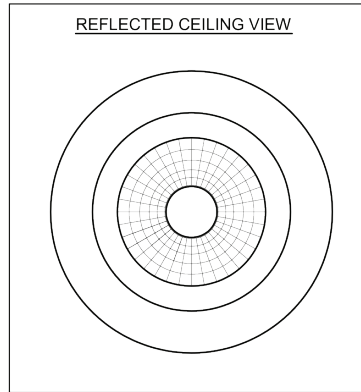
CBCP:	FCR9	FCR12	FCR15	FCR18	FCR20	FCR25	FCR30	FCR35
20° Degree	3100	4250	5500	6030	6700	8600	11000	13900
40° Degree	1850	2500	3250	3600	4000	5100	6500	7100
60° Degree	980	1350	1750	2100	2425	3200	3700	4150

Testing done at 3000K, 80 CRI.

FCR SERIES

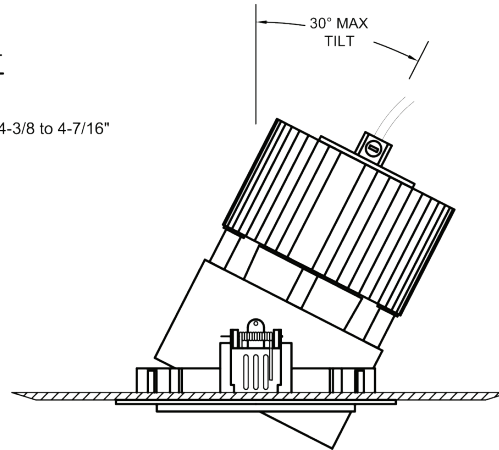
ADJUSTABLE RECESSED LED DOWNLIGHT

MANUFACTURED IN THE UNITED STATES - IBEW

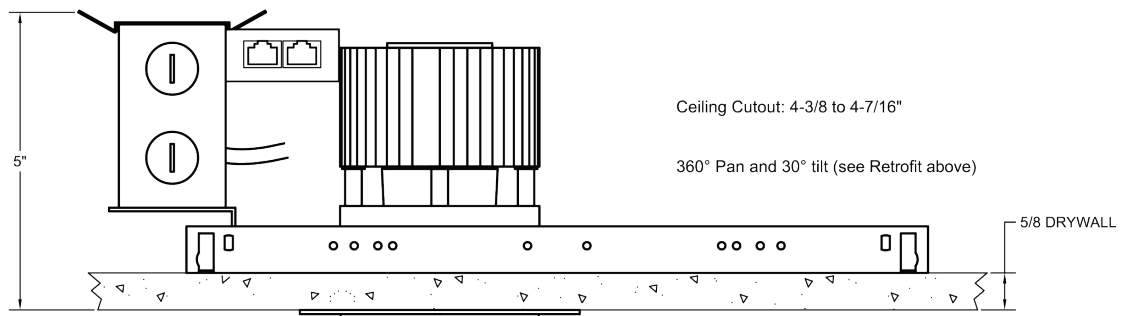


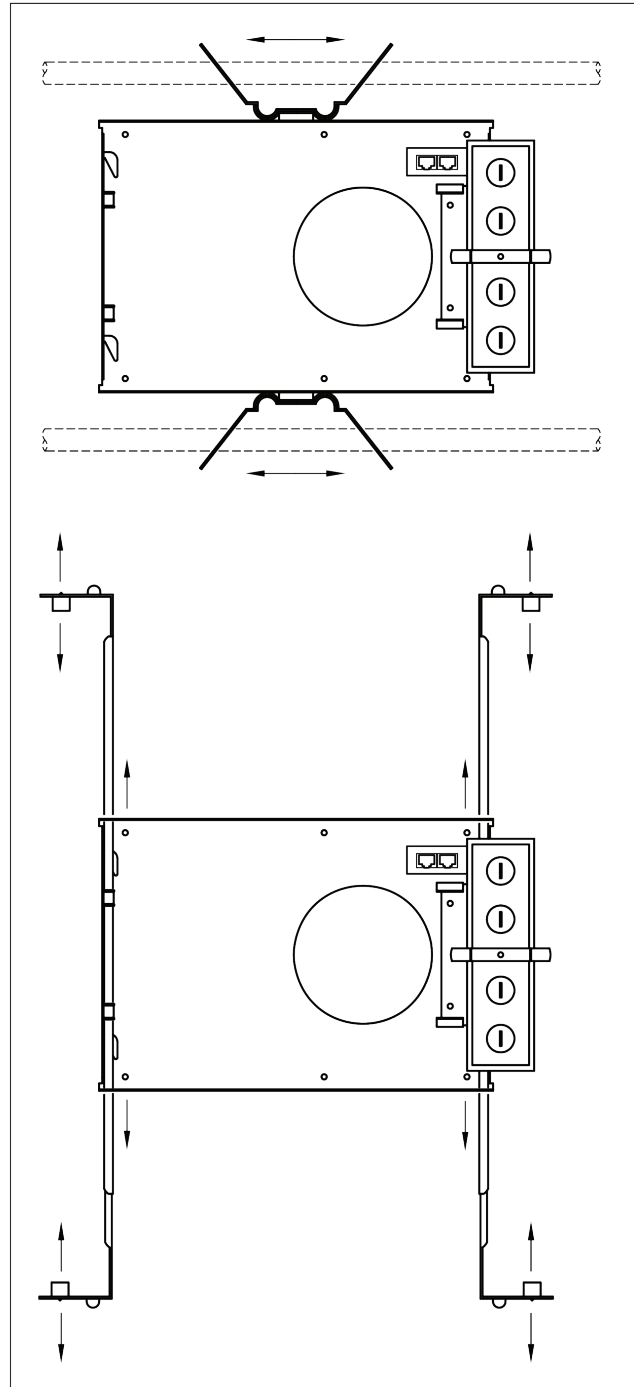
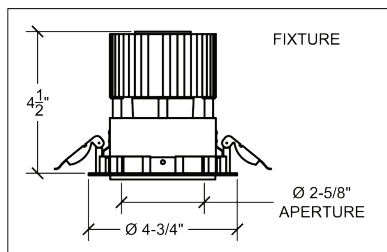
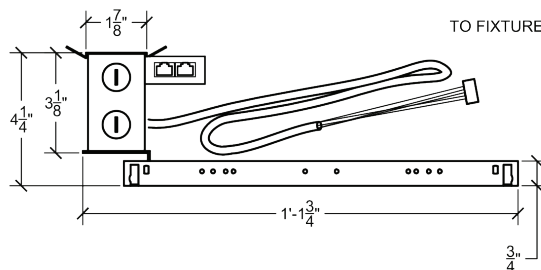
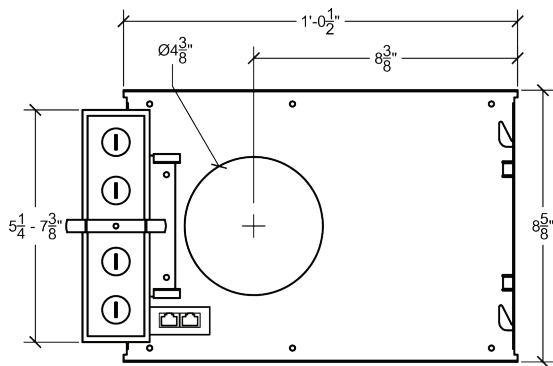
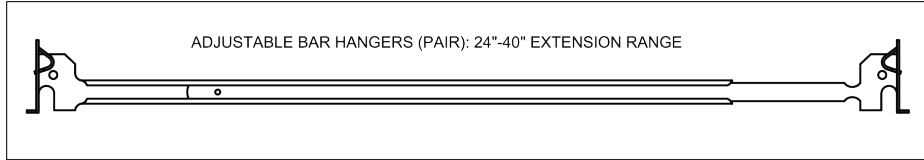
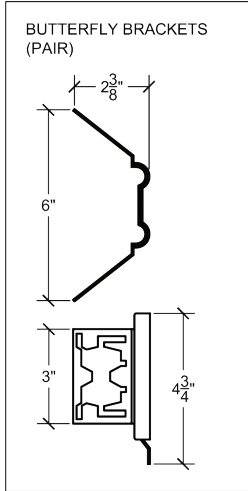
RETROFIT

Ceiling Cutout: 4-3/8 to 4-7/16"



NEW CONSTRUCTION





FCR SERIES

ADJUSTABLE RECESSED LED DOWNLIGHT

MANUFACTURED IN THE UNITED STATES - IBEW



PHOTOMETRIC DATA

20° Spot Reflector Beam Spread

Footcandles

		FCR9	FCR12	FCR15	FCR18	FCR20	FCR25	FCR30	FCR35
5'	1.7'	126	170	220	241	268	344	440	556
10'	3.5'	31	43	55	60	67	86	110	139
15'	5.3'	14	19	24	27	30	38	49	62
20'	7.1'	8	11	14	15	17	22	28	35
25'	8.8'	5	7	9	10	11	14	18	22
30'	10.6'	-	6	6	7	7	10	12	15

40° Medium Reflector Beam Spread

Footcandles

		FCR9	FCR12	FCR15	FCR18	FCR20	FCR25	FCR30	FCR35
5'	3.6'	74	100	130	144	160	204	260	284
10'	7.3'	19	25	33	36	40	51	65	71
15'	10.9'	8	11	15	16	18	23	29	32
20'	14.6'	5	6	8	9	10	13	16	18
25'	18.2'	-	-	5	6	6	8	10	11
30'	22.2'	-	-	-	-	-	6	7	8

60° Flood Reflector Beam Spread

Footcandles

		FCR9	FCR12	FCR15	FCR18	FCR20	FCR25	FCR30	FCR35
5'	5.7'	39	54	70	85	97	128	148	166
10'	11.6'	10	14	18	21	24	32	27	42
15'	17.3'	5	6	8	9	11	14	16	18
20'	23.1'	-	5	5	5	6	8	9	10
25'	28.9'	-	-	-	-	5	5	6	7
30'	35.2'	-	-	-	-	-	-	-	5

FCR SERIES

ADJUSTABLE RECESSED LED DOWNLIGHT

MANUFACTURED IN THE UNITED STATES - IBEW



SPECIFY:

MODEL	LUMENS	CRI	
FCR	9 = 900 / 900 12 = 1200 / 1200 15 = 1500 / 1500 18 = 1800 / 1800 20 = 2000 / 2000 25 = 2500 / 2500 27 = 2700 * 30 = 3000 / 3000 35 = 3500 *	80 92	
COLOR TEMPERATURE	FINISH	VOLTAGE	
27 = 2700K 30 = 3000K 35 = 3500K 40 = 4000K 50 = 5000K 57 = 5700K ** 65 = 6500K **	B = Black W = White S = Silver CC = Custom Color	100 †† 120 240 277	
OPTICS	MOUNTING	DIMMING †	CONTROL / DMX CONNECTOR
20 = 20° Degree 40 = 40° Degree 60 = 60° Degree	NC = New Construction RF = Retrofit	TE = Trailing Edge *** LE = Leading Edge ◊ 010 = 0-10V ND = Non-Dimming DMX = DMX Basic ECP = Ecosystem Premier 0.1% Dim	T = Terminal Block E = RJ45

Maximum Ambient Temperature: 35°C
Maximum Operating Angle: 45° from vertical
* 92 CRI Only
** 80 CRI Only

*** 277V TE Dimming Available on 1800, 2500 & 3000 Lumen, 80 CRI and 1500 & 2700 Lumen, 92 CRI only.

† See "Notes on Dimming"
†† Non-Dim or 0-10V Dimming Only
◊ 120V Only

ORDERING INFORMATION

PROJECT:	
LOCATION:	
QUANTITY:	
CONTACT:	
PHONE:	
EMAIL:	

EXAMPLE: FCR-9-80-27-B-120-20-NC-TE

MODEL	LUMENS	CRI	COLOR TEMPERATURE	FINISH	VOLTAGE	OPTICS	MOUNTING	DIMMING	CONTROL / DMX CONNECTOR
FCR									