

PBR HIGH POWER

HIGH POWER GREEN / PLANT WALL LUMINAIRE

MANUFACTURED IN THE UNITED STATES - IBEW



PRODUCT LISTED
BY A NATIONALLY
RECOGNIZED
TESTING
LABORATORY



The PBR High Power uses the Bridgelux Thrive™ LED which closely matches the spectra of natural light over the visible wavelength range. Thrive™ brings full spectrum natural light indoors, ideal for plant life at all growth stages, and incorporates circadian elements that may impact human well-being. The high fidelity spectral output of Thrive™ creates stunning environments with excellent color rendering and outstanding TM30 metrics. The PBR High Power is available in standard black, white, or silver finishes. Custom colors are available upon request.

LED SPECIFICATIONS

- Engineered spectrum to closely match natural light
- CRI > 95, R1-R15 > 90, high Rf and Rg values
- High efficacy full spectrum solution
- No violet chip augmentation
- Hot color targeted
- Full consistent spectrum with few spectral spikes
- Natural and vivid color rendering

MODEL	CRI	TOTAL WATTAGE	DELIVERED LUMENS	EFFICACY (LM/W)
PBR42	95	40	4200	105
PBR46	95	45	4600	102
PBR52	95	55	5200	95

* Total wattage equals LED plus driver. Delivered lumen may vary depending on LED module, color temperature, optics, and accessories. Testing done with 4000K LED array.

ELECTRICAL

- Integral electronic driver
- 100-277V, 50/60Hz
- Meets FCC 47 CFR Part 15/18 Requirements

CONSTRUCTION

- Steel & aluminum housing with black, white or silver finish
- 0-180° tilt, 360° rotation
- Accepts up to 3 accessories
- Weight: 3 lbs.

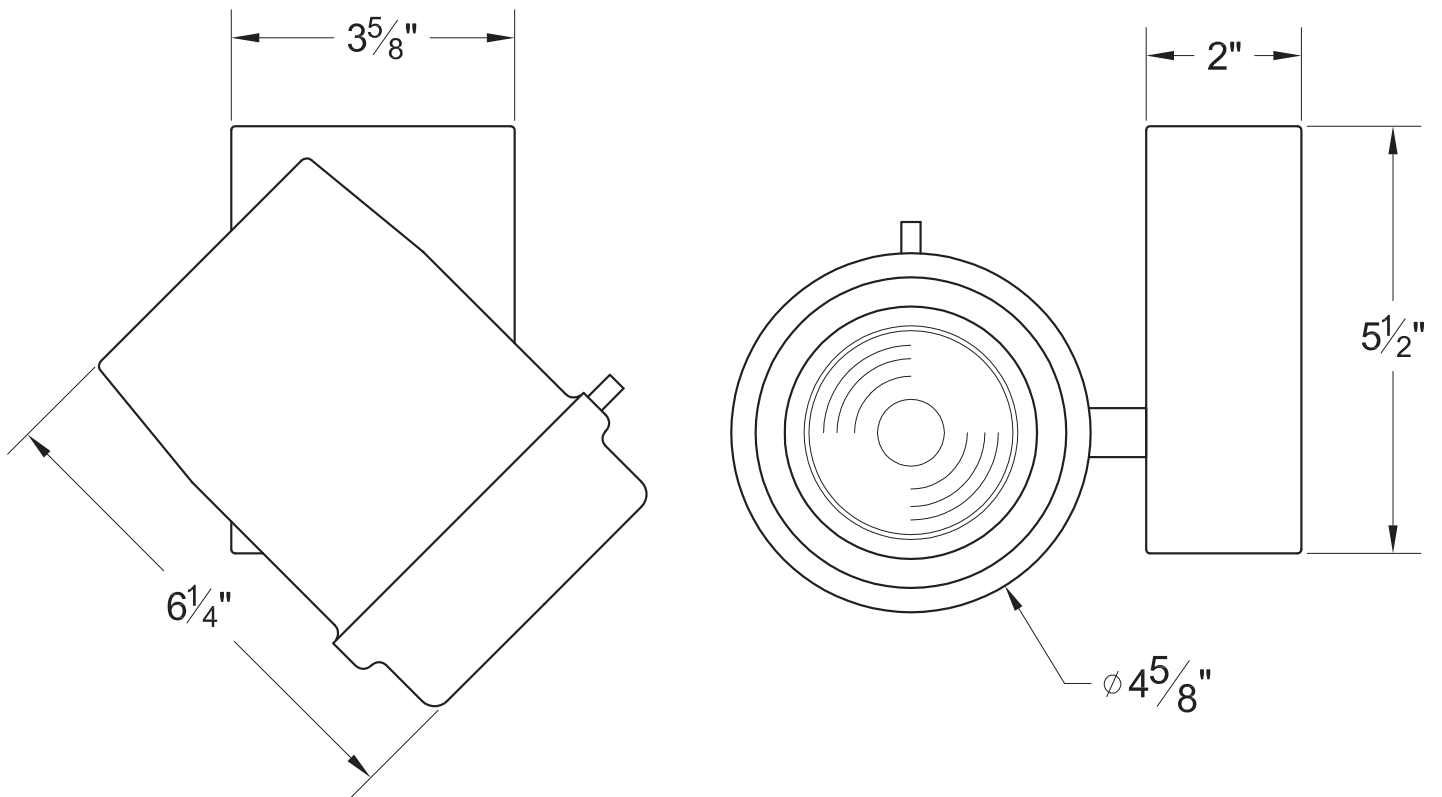
PBR HIGH POWER

HIGH POWER GREEN / PLANT WALL LUMINAIRE

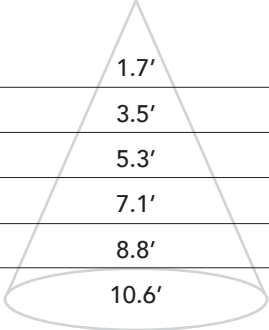
MANUFACTURED IN THE UNITED STATES - IBEW



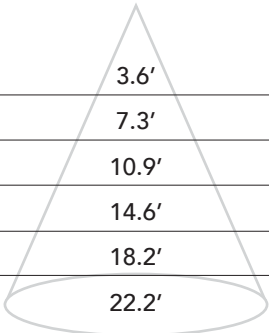
PRODUCT LISTED
BY A NATIONALLY
RECOGNIZED
TESTING
LABORATORY



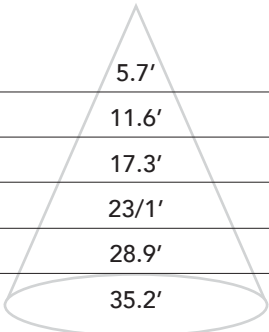
Distance	20° Spot Reflector		Footcandles		
	Beam Spread		PBR42	PBR46	PBR52
5'	1.7'		667	722	824
10'	3.5'		167	181	206
15'	5.3'		74	80	92
20'	7.1'		41	45	52
25'	8.8'		26	29	33
30'	10.6'		18	20	23



Distance	40° Medium Flood Reflector		Footcandles		
	Beam Spread		PBR42	PBR46	PBR52
5'	3.6'		341	373	422
10'	7.3'		85	93	106
15'	10.9'		37	41	47
20'	14.6'		21	23	26
25'	18.2'		14	15	17
30'	22.2'		9	10	12



Distance	60° Medium Flood Reflector		Footcandles		
	Beam Spread		PBR42	PBR46	PBR52
5'	5.7'		199	218	246
10'	11.6'		50	55	62
15'	17.3'		22	24	27
20'	23.1'		12	13	15
25'	28.9'		8	9	10
30'	35.2'		5	6	6



PBR HIGH POWER

HIGH POWER GREEN / PLANT WALL LUMINAIRE

MANUFACTURED IN THE UNITED STATES - IBEW



PRODUCT LISTED
BY A NATIONALLY
RECOGNIZED
TESTING
LABORATORY

MOUNTING OPTIONS

AD1 Track adapter for commercial grade 1-circuit track. Good for use with small, lightweight fixtures.

TA2 Track adapter for G-Series specification grade 2-circuit track. 120V.

HTA2 Track adapter for G-Series specification grade 2-circuit track. 277V.

HSTA Circuit track adapter for Data Bus. Specification grade e-series track. 277V.

STA 2 circuit track adapter for Data Bus. Specification grade track. 120V.

TA3 Track adapter for G-Series specification grade 3-circuit track. 120V.

CM4 Canopy Mount

US1 6-5/8" x 1-1/2" Unistrut Adapter

TB8 8" x 8" Portable table base for floor and table use

MC Light duty pipe clamp for small fixtures. For pipes up to 1 5/16" O.D.

MN Medium duty pipe clamp for small to large fixtures. For pipes up to 2" O.D.

PC9M Heavy duty pipe clamp for large, heavy fixtures. For pipes up to 2" O.D.

EXTENSION WANDS

SP 12	12" Stem
SP 18	18" Stem
SP 24	24" Stem
SP X	Custom Length

ACCESSORIES

LV6	Louver
XL6	Cross Baffle Louver
BD10	Barndoor
HD6	Hood
XH6	Cross Baffle Hood
X00517	Accessory Holder
GF22-600*	5° x 50° Linear Lens
GF22-601*	Beam Softener
GF22-673*	50° x 50° Spread Lens
OF22-9101*	Smoothing Frost Filter
OF22-0S20*	20° Beam Softener
OF22-1060*	Linear Spread 10 x 60 Degree
OF22-0S30*	Beam Soft Filter
OF22-0S40*	40/60 Degree Diffusion
CC18	Coiled Cord
SC-24	Safety Cable

* X00517 Required.

NOTES ON DIMMING

Visit tslight.com/resources or scan the QR Code.



SPECIFY:

MODEL		LUMENS	CRI
PBR		42 = 4200 46 = 4600 52 = 5200	95
COLOR TEMPERATURE		FINISH	VOLTAGE
40 = 4000K		B = Black W = White S = Silver CC = Custom Color	120 240 277
OPTICS	MOUNTING	DIMMING †	ACCESSORIES
10 = 10° 20 = 20° 40 = 40° 60 = 60°	See Mounting Options for Ordering Codes	TE = Trailing Edge* LE = Leading Edge † 010 = 0-10V ND = Non-Dimming IP = Integral Dimmer*	See Accessory Options for Ordering Codes

Maximum Ambient Temperature: 35°C
Maximum Operating Angle: 45° from vertical

* Available on 4200 and 5200 lumen only.
† 120V Only

† See "Notes on Dimming"
‡ Non-Dim or 0-10V Dimming Only

ORDERING INFORMATION

PROJECT:	
LOCATION:	
QUANTITY:	
CONTACT:	
PHONE:	
EMAIL:	

EXAMPLE: PBR42-9540-B-120-40-AD1-TE-LV6

MODEL	LUMENS	CRI	COLOR TEMPERATURE	FINISH	VOLTAGE	OPTICS	MOUNTING	DIMMING	ACCESSORIES
PBR									