

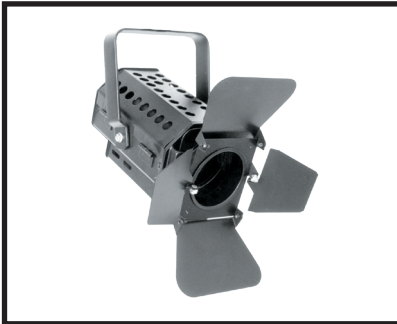
BTX7 6.5W

720 LUMEN LED

MANUFACTURED IN THE UNITED STATES - IBEW



PRODUCT LISTED
BY A NATIONALLY
RECOGNIZED
TESTING
LABORATORY



The BTX7 is designed around the Xicato™ LED remote phosphor module. This module produces an even field of illumination for the most demanding applications. The BTX7 is ideal for museum and retail lighting where a low wattage, high output LED fixture would be required. Xicato™ LEDs exceed ANSI specifications by maintaining tight color consistency over the life of the LED module.

The BTX7 is available in standard black, white, or silver finishes. Custom colors are available upon request.

LED SPECIFICATIONS

- Xicato™ cold remote phosphor LED module
- Color temp options: 2700K, 3000K, 3500K, 4000K
- CRI: 83 standard or 98 optional (R9=96)
- Lumen Maintenance: 86% of initial lumen output at 50,000 hours on LM-80 testing
- SDCM: 1 x 2 MacAdam Elipse. 50 kelvin tolerance
- No UV or IR

MODEL	TOTAL WATTAGE*	LUMENS	EFFICACY (Lm/W)	CRI
83	6.5	720	129	83
98	8.5	720	79	93

* Total wattage equals LED plus driver. Delivered lumen may vary depending on LED module, color temperature, optics, and accessories.

CONSTRUCTION

- Steel housing with black, white or silver finish
- Accepts up to 3 accessories
- Weight: 2.5 lbs.

ELECTRICAL

- Integral electronic driver
- 100-277V, 50/60Hz
- Meets FCC 47 CFR Part 15/18 Requirements

DIMMING

- Trailing edge (ELV): 120V only
- Leading edge (Triac): 120V only
- 0-10V: 120-277V with surface mounting. For track applications, use E-series 2-circuit with data bus

OPTICS

- 20°, 40°, and 60° Field-changable reflectors
- CBCP: 2900 @ 20°
1700 @ 40°
930 @ 60°

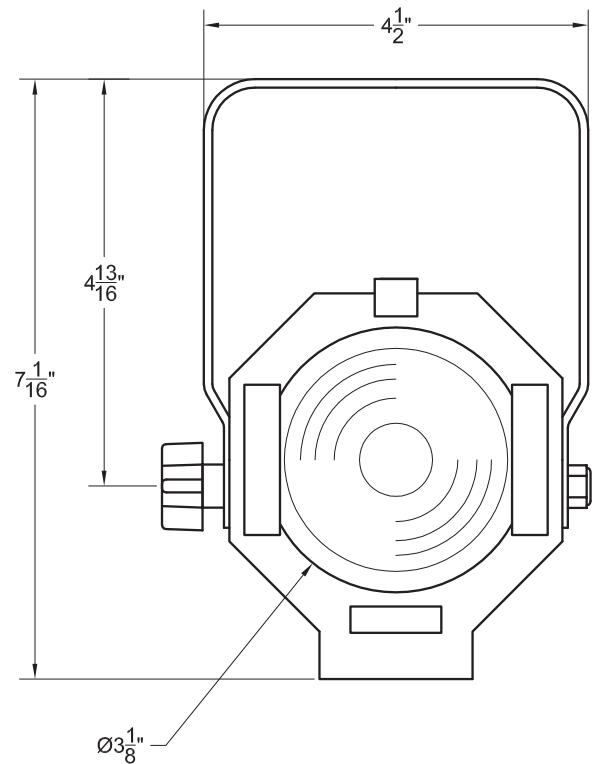
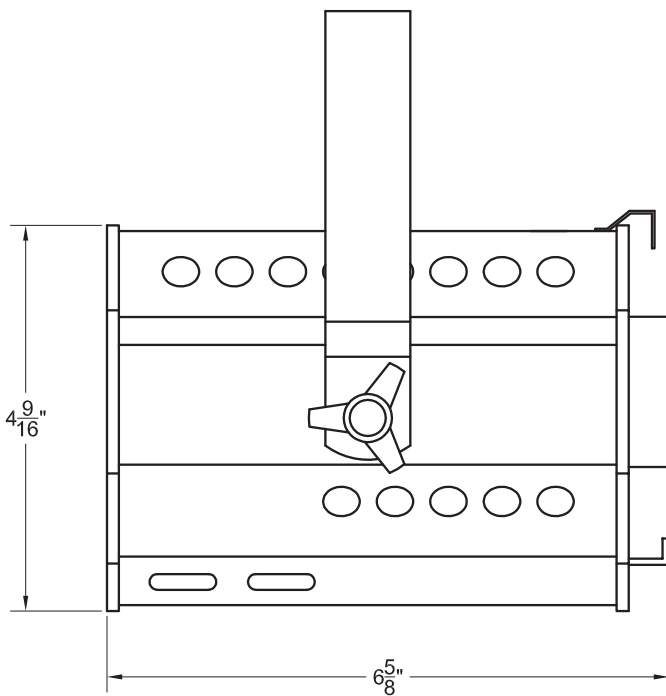
BTX7 6.5W

720 LUMEN LED

MANUFACTURED IN THE UNITED STATES - IBEW



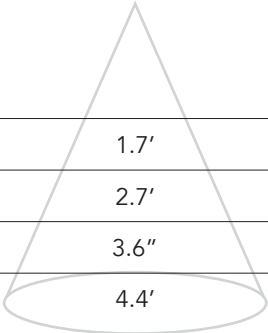
PRODUCT LISTED
BY A NATIONALLY
RECOGNIZED
TESTING
LABORATORY



PHOTOMETRIC DATA

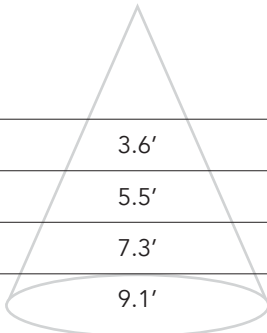
20° Spot Reflector

Distance	Beam Spread	Footcandles
5'	1.7'	116
7.5'	2.7'	52
10'	3.6"	29
12.5'	4.4'	19



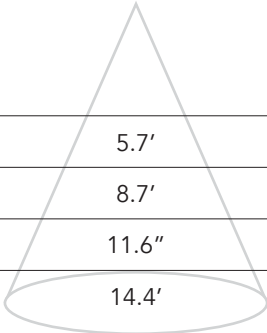
40° Medium Flood Reflector

Distance	Beam Spread	Footcandles
5'	3.6'	66
7.5'	5.5'	29
10'	7.3'	17
12.5'	9.1'	11



60° Spot Reflector

Distance	Beam Spread	Footcandles
5'	5.7'	37
7.5'	8.7'	16.4
10'	11.6"	9.3
12.5'	14.4'	5.9



BTX7 6.5W

720 LUMEN LED

MANUFACTURED IN THE UNITED STATES - IBEW



PRODUCT LISTED
BY A NATIONALLY
RECOGNIZED
TESTING
LABORATORY

MOUNTING OPTIONS

DT2 2-circuit track adapter for SpecTrack databus. 120V

HDT2 Track adapter for SpecTrack 2-Circuit data track. 277V.

LP2 Low profile 2-circuit track adapter for SpecTrack databus. 120V.

AD1 Track Adapter for commercial grade 1-circuit track. 120V. For use with lightweight fixtures.

HTA2 Track adapter for G-Series specification grade 2-circuit track. 277V.

TA3 Track adapter for G-Series specification grade 3-circuit track. 120V.

CM4 Canopy Mount

US1 6-5/8" x 1-1/2" Unistrut Adapter

TB4 6-1/4" Portable wall mount/table base floor, wall or table use.

MC Light duty pipe clamp for small fixtures. For pipes up to 1-5/16" O.D.

MN Medium duty pipe clamp for small to large fixtures. For pipes up to 2" O.D.

PC9M Heavy duty pipe clamp for large, heavy fixtures. For pipes up to 2" O.D.

EXTENSION WANDS

SP 12	12" Stem
SP 18	18" Stem
SP 24	24" Stem
SP X	Custom Length

ACCESSORIES

LV5	Louver
BD5	Barndoor
HD5	Hood
CF5	Color Frame
GF5	Glass Color Filter
X00517	Accessory Holder
FX22-26*	Red Filter
FX22-80*	Blue Filter
FX22-64*	Light Blue Filter
FX22-90*	Green Filter
FX22-21*	Amber Filter
FX22-10*	Yellow Filter
FX22-33*	Pink Filter
DF5*	Dichroic Color Filter
OF22-9101*	Smoothing Frost Filter
OF22-0S20*	20° Beam Softener
OF22-1060*	Linear Spread 10 x 60 Degree
OF22-0S30*	Beam Soft Filter
OF22-0S40*	40/60 Degree Diffusion
GF22-600*	5°x50° Linear Lens
GF22-601*	Beam Softener
GF22-673*	50°x50° Spread Lens
CC18	Coiled Cord
SC-24	Safety Cable

* X00517 Required. Wide Range of Colors Available

NOTES ON DIMMING

Visit tslight.com/resources or scan the QR Code.



SPECIFY:

MODEL	LED MODULE	COLOR TEMPERATURE
BTX7	83 93	27 = 2700K 30 = 3000K 35 = 3500K 40 = 4000K
FINISH	VOLTAGE	OPTICS
B = Black W = White S = Silver CC = Custom Color	100 120 240 277	20 = 20° 40 = 40° 60 = 60° ZO = Zoom Optic
MOUNTING	DIMMING †	ACCESSORIES
See Mounting Options for Ordering Codes	TE = Trailing Edge LE = Leading Edge 010 = 0-10V ND = Non-Dimming	See Accessory Options for Ordering Codes

Maximum Ambient Temperature: 35°C
Maximum Operating Angle: 45° from vertical

† See "Notes on Dimming"

ORDERING INFORMATION

PROJECT:	
LOCATION:	
QUANTITY:	
CONTACT:	
PHONE:	
EMAIL:	

EXAMPLE: BTX7-83-27-B-120-40-T1-LE-LV5

MODEL	LED MODULE	COLOR TEMPERATURE	FINISH	VOLTAGE	OPTICS	MOUNTING	DIMMING	ACCESSORIES
BTX7								