

TRI & TRH TRIBECA

LED PATTERN & FRAMING PROJECTOR

MANUFACTURED IN THE UNITED STATES - IBEW



PRODUCT LISTED
BY A NATIONALLY
RECOGNIZED
TESTING
LABORATORY



The Tribeca is a powerful LED pattern and framing projector that utilizes the CREE XLamp LED array. This unit will deliver a powerful, crisp projection for longer throw applications, all while staying within a fixture size that is capable of being both track and canopy mounted. Additionally, each unit is equipped with framing shutters for precise beam shaping. A wide selection of standard patterns (gobos) are available. Custom patterns are also available by simply sending us a PDF of your desired pattern via email.

LED

- Color Temperature Options: 2700K, 3000K, 3500K, 4000K
- CRI: 80 Standard, 92 or 98 Optional
- CREE XLamp LED array
- No UV or IR

MODEL	MODULE	TOTAL WATTAGE*	LUMENS	EFFICACY (LM/W)	CRI
TRI	80	27	3075	114	80
TRI	92	27	2650	98	92
TRI	98	27	2370	88	98
TRH	80	45	4800	106	80
TRH	92	45	4200	93	92
TRH	98	45	4000	89	98

* Total wattage equals LED plus driver. Delivered lumen may vary depending on LED module, color temperature, optics, and accessories. Testing done with 3000K LED array.

FEATURES

- 100-277 Volt available
- 50,000 hour lamp life
- Framing shutters included
- Stock or custom, steel or glass patterns
- Dimmable (optional)
- Numerous mounting options and accessories

DIMMING

- Trailing edge (ELV): 120-277V
- Leading edge (Triac): 120-277V
- 0-10V: 100-277V use track.
- Lutron Ecosystem premier driver available, featuring dimming to 0.1% and soft on/soft off incandescent like dimming. Only available on fixtures 20 watts or less.
- Casambi: 120 - 277V

CONSTRUCTION

- Steel housing with black, white or silver finish
- Accepts up to 2 accessories
- Weight: 5.5 lbs.

OPTICS

- 20° - 40° Zoom Optics System
- 25° - 50° Zoom Optics System

ELECTRICAL

- Integral electronic driver
- 100-277V, 50/60Hz
- Meets FCC 47 CFR Part 15/18 Requirements
- 27 Watts or 45 Watts

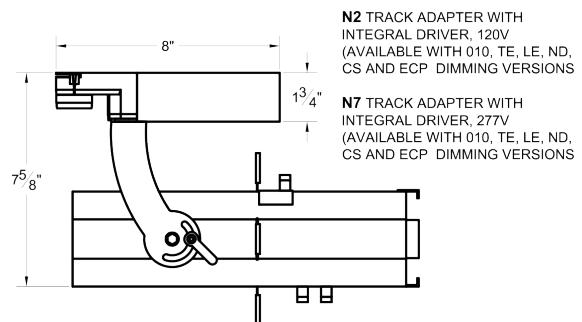
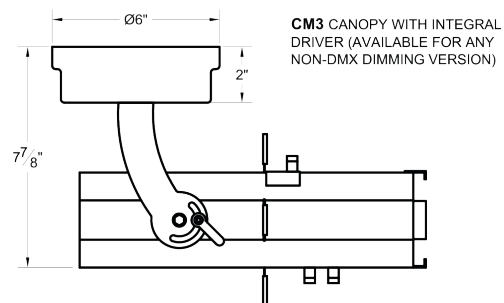
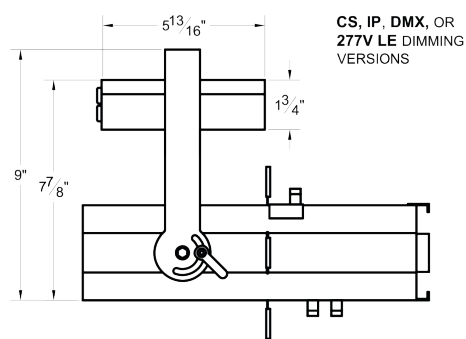
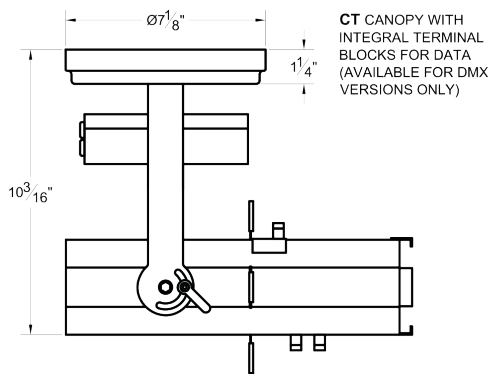
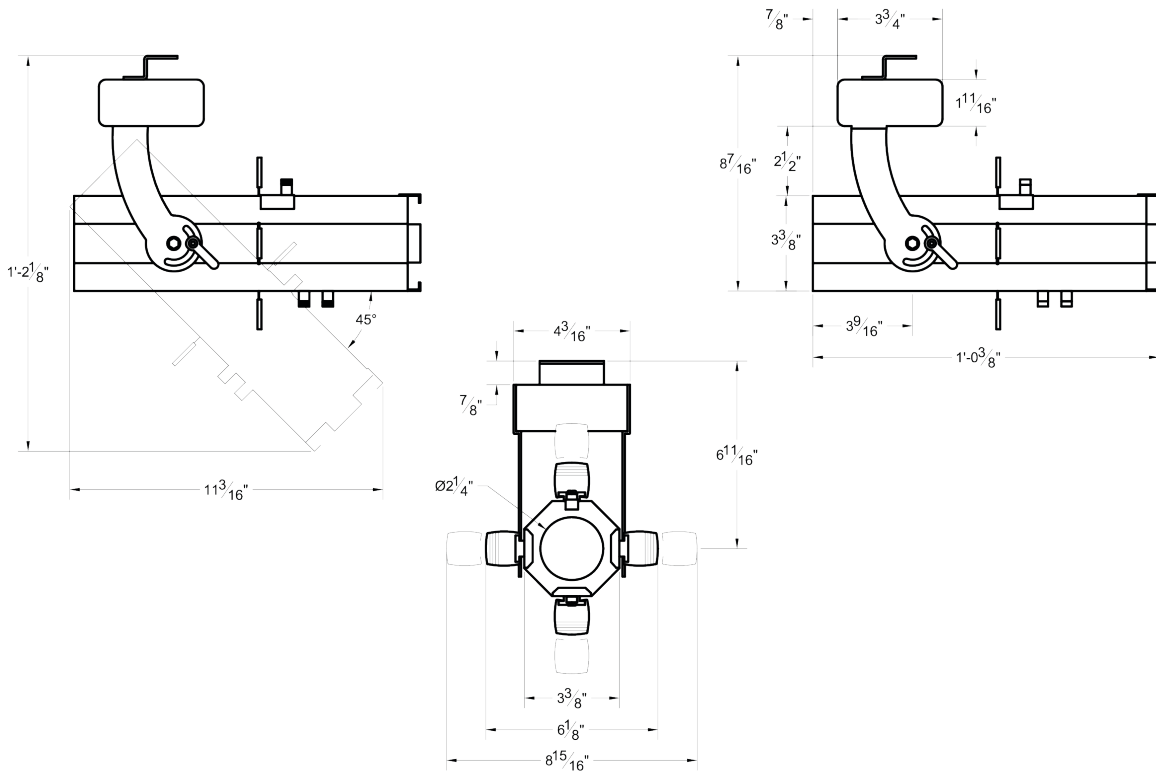
Maximum Operating Temperature: 35° C • Maximum Operating Angle: 45° from Vertical

TRI & TRH TRIBECA

LED PATTERN & FRAMING PROJECTOR

MANUFACTURED IN THE UNITED STATES - IBEW

PRODUCT LISTED
BY A NATIONALLY
RECOGNIZED
TESTING
LABORATORY



MOUNTING OPTIONS

DT2 Track adapter for SpecTrac 2-Circuit data track, 120V.

HDT2 Track adapter for SpecTrac 2-Circuit, data track, 277V.

AD1 Track Adapter for commercial grade 1-circuit track. 120V. For use with lightweight fixtures.

T1 Track adapter for commercial grade 1 & 2-Circuit track, 120V. For use with larger, heavier fixtures.

TA2 Track adapter for G-Series specification grade 2-Circuit track, 120V.

HTA2 Track adapter for G-Series specification grade 2-Circuit track, 277V.

TA3 Track adapter for G-Series specification grade 2-Circuit track, 120V.

GAC 3-Circuit track adapter for databus pulse track. 120V.

CM4 Canopy Mount

US1 6-5/8" x 1-1/2" Unistrut Adapter

TB8 8" x 8" Portable table base for floor and table use

MC Light duty pipe clamp for small fixtures. For pipes up to 1 5/16" O.D.

MN Medium duty pipe clamp for small to large fixtures. For pipes up to 2" O.D.

PC9M Heavy duty pipe clamp for large, heavy fixtures. For pipes up to 2" O.D.

CM3 Canopy Mount (driver in canopy) - non DMX only.

CT Terminal Blocks in canopy - DMX only.

N2 Track adapter with integral driver for SpecTrac 2-Circuit data track, 120V.

N7 Track adapter with integral driver for SpecTrac 2-Circuit data track, 277V.

ACCESSORIES

CF6	Color Frame
SN6	Snoot/Hood
PH6	Pattern Holder
PD6	Pattern Donut
SPE	Stock Pattern Steel
CPE	Custom Pattern Steel
GPE	Custom Pattern Glass
DF6	Dichroic Color Filter
GF6-702	UV Blocking Filter
CC18	Coiled Cord
5300	Mini Spin (variable speed pattern rotator)

EXTENSION WANDS

SP 12	12" Stem
SP 18	18" Stem
SP 24	24" Stem
SP X	Custom Length

TRI & TRH TRIBECA

LED PATTERN & FRAMING PROJECTOR

MANUFACTURED IN THE UNITED STATES - IBEW

PRODUCT LISTED
BY A NATIONALLY
RECOGNIZED
TESTING
LABORATORY



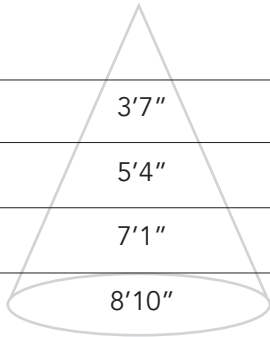
PHOTOMETRIC DATA

Distance 20° Degree Setting

Beam Spread

27W Footcandles

45W Footcandles



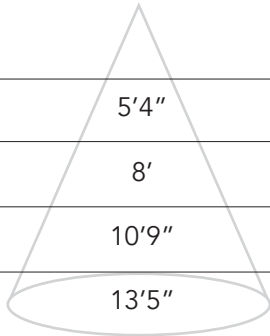
Distance	Beam Spread	27W Footcandles	45W Footcandles
10'	3'7"	180	310
15'	5'4"	80	137
20'	7'1"	45	78
25'	8'10"	29	50

Distance 30° Degree Setting

Beam Spread

27W Footcandles

45W Footcandles



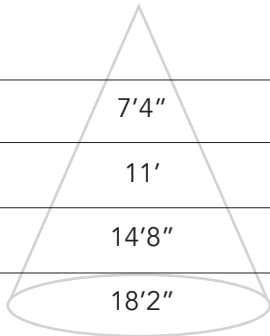
Distance	Beam Spread	27W Footcandles	45W Footcandles
10'	5'4"	133	230
15'	8'	59	102
20'	10'9"	33	58
25'	13'5"	21	37

Distance 40° Degree Setting

Beam Spread

27W Footcandles

45W Footcandles



Distance	Beam Spread	27W Footcandles	45W Footcandles
10'	7'4"	67	115
15'	11'	30	51
20'	14'8"	17	29
25'	18'2"	11	18



SLINGSHOT

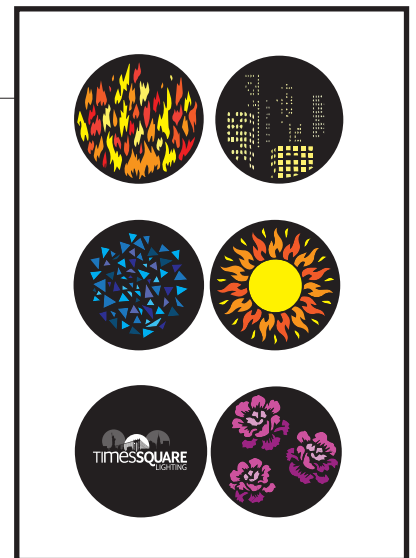
The Slingshot allows you to cast the output of a Times Square Lighting ellipsoidal at a right angle. This allows flexibility in situations when the fixture is mounted horizontally but the desired aiming angle is vertical (or vice versa).

- LENGTH: 6-3/4"
- WIDTH: 4"
- DEPTH: 4"
- RANGE OF MOTION: 0° to 44°

MODEL	COLOR
SLMB	Black Slingshot
SLMW	White Slingshot

PATTERNS

For standard and custom patterns, see the pattern specification sheet. QR Code is provided below.



NOTES ON DIMMING

Visit tslight.com/resources or scan the QR Code.



TRI & TRH TRIBECA

LED PATTERN & FRAMING PROJECTOR

MANUFACTURED IN THE UNITED STATES - IBEW



PRODUCT LISTED
BY A NATIONALLY
RECOGNIZED
TESTING
LABORATORY



SPECIFY:

MODEL	LED MODULE	COLOR TEMPERATURE	FINISH
TRI ◊ TRH ◊ TRI5 ◊◊ TRH5 ◊◊	80 92 98 **	27 = 2700K 30 = 3000K 35 = 3500K 40 = 4000K	B = Black W = White S = Silver CC = Custom Color
VOLTAGE	MOUINTG	DIMMING †	ACCESSORIES
100 *** 120 240 277	See Mounting Options for Ordering Codes	TE = Trailing Edge LE = Leading Edge 010 = 0-10V IP = Integral Pot ND = Non-Dimming DMX = DMX Basic ECP = Ecosystem premier 0.1% dim * CS = Casambi Wireless	See Accessory Options for Ordering Codes

* Not available with TRH
 ** 2700K and 3000K Only
 *** Non-Dim or 0-10V Only

† See "Notes on Dimming"
 ◊ 20° - 40° Zoom Optics
 ◊◊ 25° - 50° Zoom Optics

ORDERING INFORMATION

PROJECT:	
LOCATION:	
QUANTITY:	
CONTACT:	
PHONE:	
EMAIL:	

EXAMPLE: TRI-8030-B-120-T1-TE-CF6

MODEL	LED MODULE	COLOR TEMPERATURE	FINISH	VOLTAGE	MOUNTING	DIMMING	ACCESSORIES