



MSV6

Smart Motorized LED Track Light



5 Holt Drive
Stony Point, NY 10980
845-947-3034
www.tslight.com

Light controlled easily and smoothly.

No need for ladders or lifts to change fixture orientation. All operations are available on your smartphone screen. Easy to understand interfaces such as individual control, group control, and map functions. Changes in the vertical and horizontal direction. Multiple scenes can be set up and stored in the app. Up to 100 fixtures can be controlled at the push of a button.

Specifications

- **Input Power:** 55W (60W)
- **Weight:** 8.4 lbs.
- **Light Angle:** 9° - 34°
- **Input Voltage:** 100-240V
- **Rated Life:** 40K Hours
- **Movement Angle:** Pan $\pm 270^\circ$ Tilt $\pm 80^\circ$
- **CCT:** 2700K, 3000K, 3500K, 4000K
- **Color Rendering Index:** $\geq Ra90$
- **Remote Devices:** iOS 8, Android 5.0
- **Pan:** 12 Seconds ($-270^\circ \sim +270^\circ$)
- **Tilt:** 3.6 Seconds ($-80^\circ \sim +80^\circ$)

Control

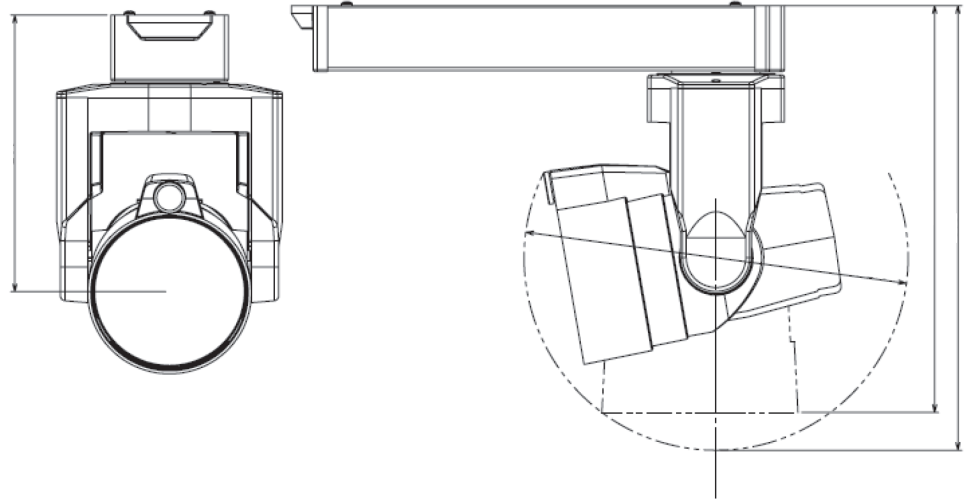
- iOS 8 or later (iPhone, iPad, iPod touch)
- Android 5.0 or later (recommended device/Google Nexus9, Sony Xperia Z5, Samsung Galaxy S6)
- Bluetooth 4.0
- **MS-V-OPM001** IR Tracker (lapel)
- **MS-V-OP009** Handheld IR Marker

Mounting Options

DT2 Track adapter for SpecTrack 2-Circuit data track. 120V.

CM4 Canopy can be mounted to any standard electrical box using the provided Adapter Plate. Optional fixture mounting nipple with nut is 1/4"-18.

MN Medium duty pipe clamp for small to large fixtures. For pipes up to 2" O.D.



Auto Tracking

The auto tracking function allows the light to follow the infrared transmitter in real time. While the possibilities are endless, it can be used to track an energetic orator in a speaking engagement, a bride as she walks down the aisle, or a performer in a small space.

Ordering Matrix

MODEL	FINISH	COLOR TEMPERATURE	MOUNTING
MSV6	B = Black W = White	27 = 2700K 30 = 3000K 35 = 3500K 40 = 4000K	See Mounting Options

Example: MSV6-B-30-DT2

MSV6-_____

PHOTOMETRIC REPORT (20° Beam Angle)(tested per IESNA LM-79-2008)

 Verification Services Report No. 12866413.03

Luminaire.....mesh network enabled LED track luminaire

LED93 CRI module, 3000K

LED LifeRated 40,000 hours based on L70/B50 criteria. LM80 report by LED manufacturer furnished upon request

CANDLEPOWER DISTRIBUTION (candela)

Vertical Angle	Candela at 0° Horizontal Angle
0.0	28410
10.0	2236
20.0	1117
30.0	827
40.0	636
50.0	388
60.0	183
70.0	53
80.0	4
90.0	0

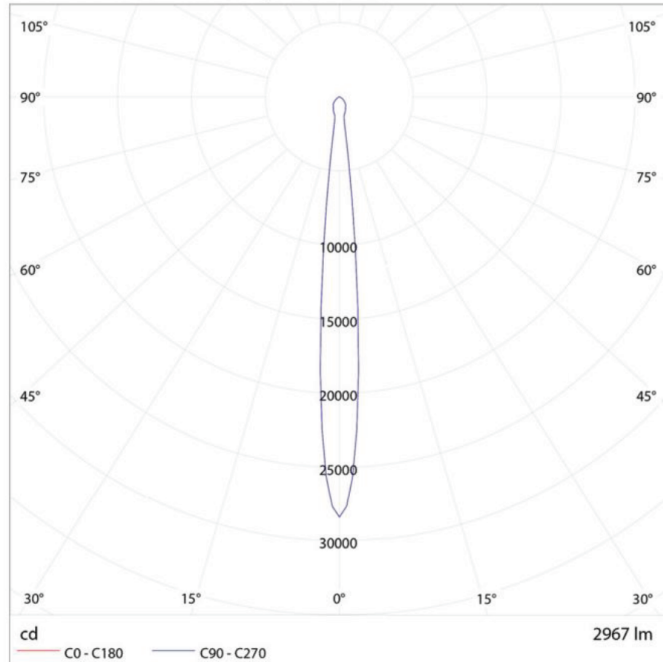
LUMINAIRE LIGHT OUTPUT AND EFFICACY

LED Module Type	Luminaire Light Output	Luminaire CBCP	Luminaire E cacy	System Wattage
93 CRI/2700K	2917	27784	49	60
93 CRI/3000K	2987	28410	50	60
93 CRI/3500K	3154	30034	53	60
93 CRI/4000K	3243	30831	54	60

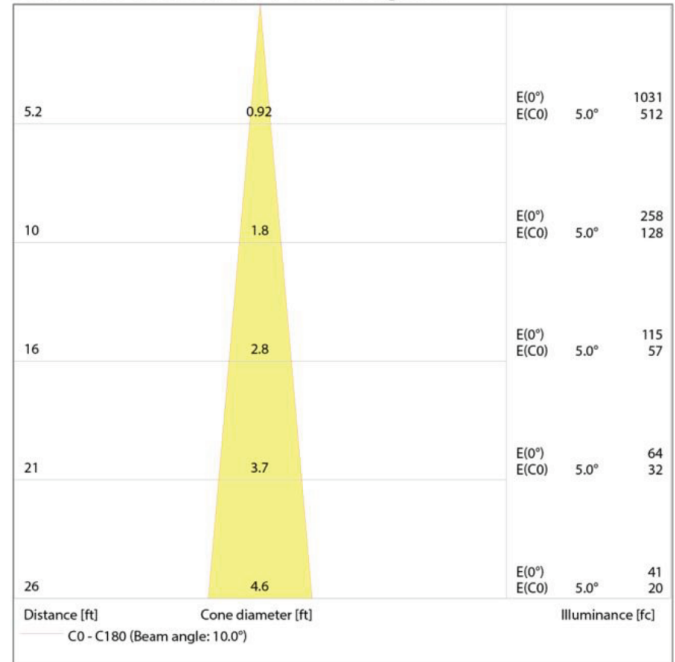
LIGHT OUTPUT MULTIPLIERS (based on 93CRI / 3000K LED)

LED@93 CRI	4500K	3500K	3000K	2700K
Multiplier	1.09	1.06	1.00	0.98

Luminous emittance 1 / Polar LDC



Luminous emittance 1 / Cone diagram



PHOTOMETRIC REPORT (34° Beam Angle)(tested per IESNA LM-79-2008)

 Verification Services Report No. 12866413.04

Luminaire.....mesh network enabled LED track luminaire

LED93 CRI module, 3000K

LED LifeRated 40,000 hours based on L70/B50 criteria. LM80 report by LED manufacturer furnished upon request

CANDLEPOWER DISTRIBUTION (candela)

LUMINAIRE LIGHT OUTPUT AND EFFICACY

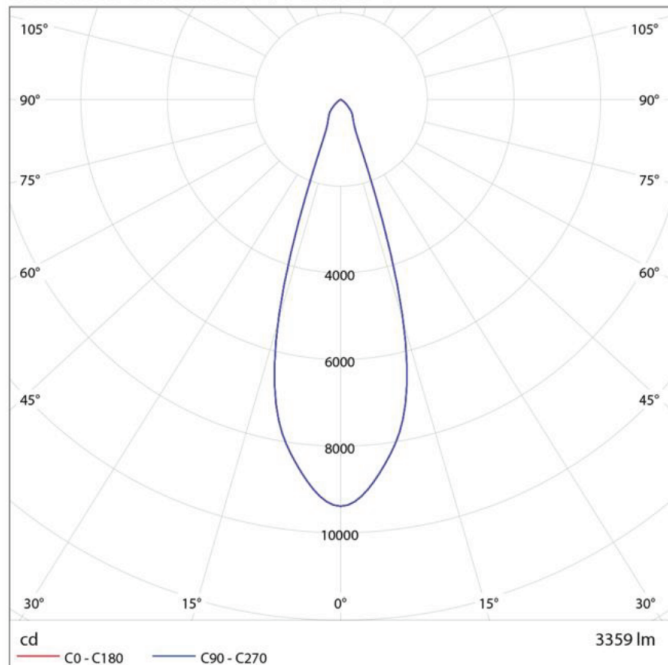
Vertical Angle	Candela at 0° Horizontal Angle
0.0	9388
10.0	7807
20.0	2317
30.0	594
40.0	397
50.0	173
60.0	35.5
70.0	3.4
80.0	1.1
90.0	0

LED Module Type	Luminaire Light Output	Luminaire CBCP	Luminaire E cacy	System Wattage
93 CRI/2700K	3296	9179	55	60
93 CRI/3000K	3376	9388	56	60
93 CRI/3500K	3563	9908	59	60
93 CRI/4000K	3661	10194	61	60

LIGHT OUTPUT MULTIPLIERS (based on 93CRI / 3000K LED)

LED@93 CRI	4500K	3500K	3000K	2700K
Multiplier	1.09	1.06	1.00	0.98

Luminous emittance 1 / Polar LDC



Luminous emittance 1 / Cone diagram

