

ACR HO SERIES

2100 - 3200 LUMEN HIGH OUTPUT ACCENT

MANUFACTURED IN THE UNITED STATES - IBEW



PRODUCT LISTED
BY A NATIONALLY
RECOGNIZED
TESTING
LABORATORY



The ACR HO emphasizes efficiency and economy and boasts the highest lumens per watt rating of any Times Square Lighting fixture to date. It is designed for a short to medium throw applications. The ACR HO can be fitted with up to three accessories, including barn doors, louvers and lenses. This versatile fixture is available with a wide variety of mounting and dimming options, allowing for a huge range of customization possibilities.

The ACR HO is available in standard black, white, or silver finishes. Custom colors are available upon request.

LED SPECIFICATIONS

- Cree XLamp LED array
- Color Temperature Options: 2700K, 3000K, 3500K, 4000K, 5000K, 5700K, 6500K
- CRI: 80 standard or 92 optional (97 CRI Available, consult factory)
- Lumen Maintenance: 90% of initial lumen output at 33,000 hours on LM-80 testing
- No UV or IR

MODEL	CRI	TOTAL WATTAGE*	LUMENS	EFFICACY (LM/W)
ACR21	92	17.4	2100	121
ACR23	80	17.4	2300	132
ACR25	92	19.8	2500	125
ACR28	92	22.3	2800	125
ACR29	80	19.8	2900	146
ACR32	80	22.3	3250	145

* Total wattage equals LED plus driver. Delivered lumen may vary depending on LED module, color temperature, optics, and accessories. Testing done with 3000K LED array.

CONSTRUCTION

- Aluminum housing with black, white or silver finish
- Accepts up to 3 accessories
- Weight: 3 lbs.

ELECTRICAL

- Integral electronic driver
- 100-277V, 50/60Hz
- Meets FCC 47 CFR Part 15/18 Requirements

DIMMING

- Trailing edge (ELV): 120V all, 277V limited to ACR21, ACR23, ACR28 and ACR32
- Leading edge (Triac): 120V Only
- 0-10V: 120V / 277V

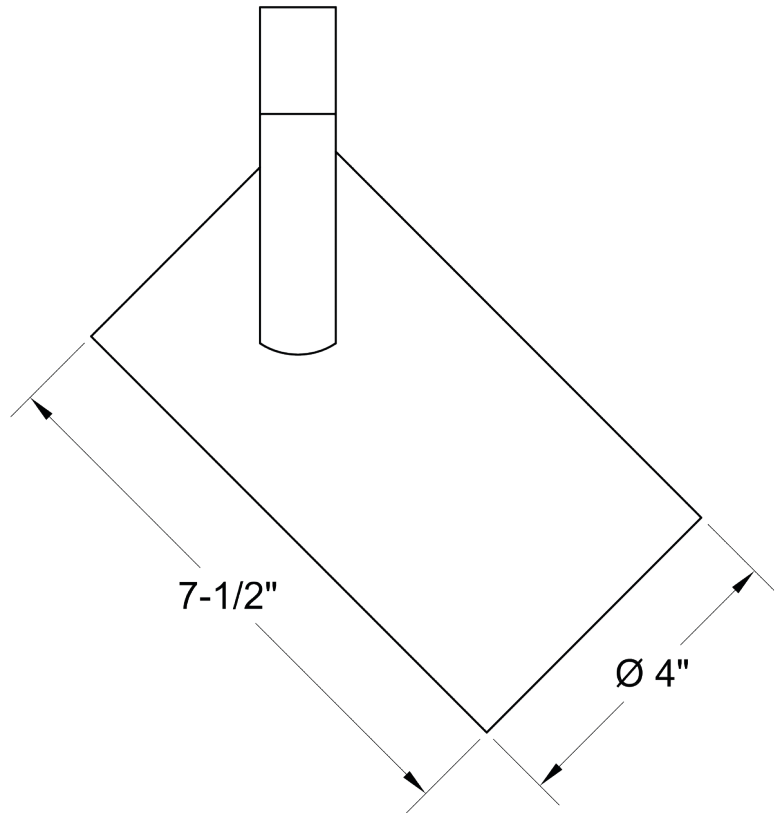
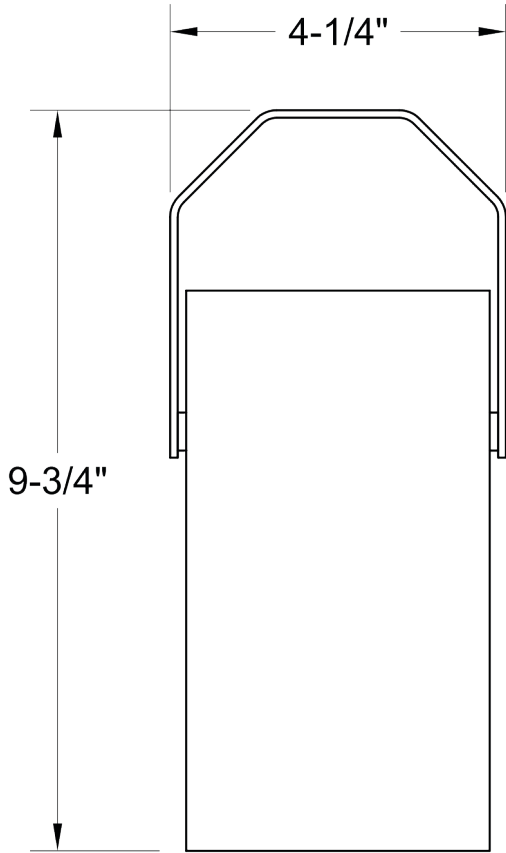
ACR HO SERIES

2100 - 3200 LUMEN HIGH OUTPUT ACCENT

MANUFACTURED IN THE UNITED STATES - IBEW



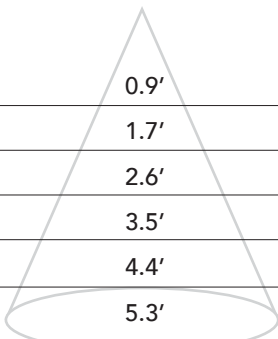
PRODUCT LISTED
BY A NATIONALLY
RECOGNIZED
TESTING
LABORATORY



OPTICS | 10°, 20°, 40°, and 60° Field-Changeable Reflectors

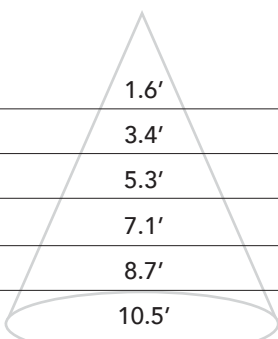
CBCP:	ACR21	ACR23	ACR25	ACR28	ACR29	ACR32
10°	14900	16500	17800	20100	21000	23300
20°	7100	7900	8500	9600	10000	11100
40°	4200	4700	5100	5700	5900	6600
60°	2600	3000	3200	3700	3800	4200

Distance **10° Spot Reflector** Footcandles
Beam Spread



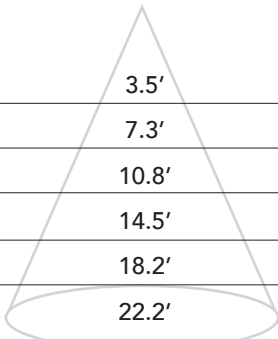
Distance	Beam Spread	ACR21	ACR23	ACR25	ACR28	ACR29	ACR32
5'	0.9'	596	660	712	804	840	932
10'	1.7'	149	165	178	201	210	233
15'	2.6'	66	73	79	89	93	104
20'	3.5'	37	41	45	50	52	58
25'	4.4'	24	26	28	32	34	37
30'	5.3'	17	18	20	22	23	26

Distance **20° Spot Reflector** Footcandles
Beam Spread



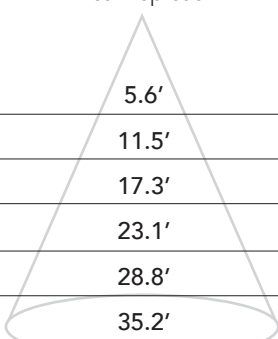
Distance	Beam Spread	ACR21	ACR23	ACR25	ACR28	ACR29	ACR32
5'	1.6'	282	315	340	384	397	441
10'	3.4'	71	79	85	96	100	111
15'	5.3'	31	35	38	43	44	49
20'	7.1'	18	20	22	24	25	28
25'	8.7'	11	13	14	16	16	18
30'	10.5'	8	9	10	11	11	12

Distance **40° Medium Flood Reflector** Footcandles
Beam Spread



Distance	Beam Spread	ACR21	ACR23	ACR25	ACR28	ACR29	ACR32
5'	3.5'	168	188	203	229	237	263
10'	7.3'	42	47	51	57	59	66
15'	10.8'	19	21	23	26	26	29
20'	14.5'	11	12	13	15	15	17
25'	18.2'	7	8	9	10	10	11
30'	22.2'	5	5	5	6	6	7

Distance **60° Medium Flood Reflector** Footcandles
Beam Spread



Distance	Beam Spread	ACR21	ACR23	ACR25	ACR28	ACR29	ACR32
5'	5.6'	102	118	127	144	149	165
10'	11.5'	26	30	32	37	38	42
15'	17.3'	11	13	14	16	16	18
20'	23.1'	6	7	8	9	9	10
25'	28.8'	5	6	6	7	8	8
30'	35.2'	-	5	5	6	6	7

ACR HO SERIES

2100 - 3200 LUMEN HIGH OUTPUT ACCENT

MANUFACTURED IN THE UNITED STATES - IBEW



PRODUCT LISTED
BY A NATIONALLY
RECOGNIZED
TESTING
LABORATORY

MOUNTING OPTIONS

DT2 2-circuit track adapter for SpecTrac databus. 120V.

HDT2 Track adapter for SpecTrac 2-Circuit data track. 277V.

LP2 Low profile 2-circuit track adapter for SpecTrac databus. 120V.

AD1 Track adapter for commercial grade 1-circuit track. Good for use with small, lightweight fixtures.

TA2 Track adapter for G-Series specification grade 2-circuit track. 120V.

HTA2 Track adapter for G-Series specification grade 2-circuit track. 277V.

TA3 Track adapter for G-Series specification grade 3-circuit track. 120V.

CM4 Canopy Mount

US1 6-5/8" x 1-1/2" Unistrut Adapter

TB8 8" x 8" Portable table base for floor and table use

MC Light duty pipe clamp for small fixtures. For pipes up to 1-5/16" O.D.

MN Medium duty pipe clamp for small to large fixtures. For pipes up to 2" O.D.

PC9M Heavy duty pipe clamp for large, heavy fixtures. For pipes up to 2" O.D.

EXTENSION WANDS

SP12	12" Stem
SP18	18" Stem
SP24	24" Stem
SP X	Custom Length

ACCESSORIES

BD20	Barndoor
LV22	Full Size Louver
XL22	Full Size X Baffle Louver
XH22	Full Size X Baffle Hood
HD22	Hood / Snoot
X00517	Accessory Holder
LV18*	Honeycomb Louver
FX22-26*	Red Filter
FX22-80*	Blue Filter
FX22-64*	Light Blue Filter
FX22-90*	Green Filter
FX22-21*	Amber Filter
FX22-10*	Yellow Filter
FX22-33*	Pink Filter
OF22-9101*	Smoothing Frost Filter
OF22-0520*	20° Beam Softener
OF22-1060*	Linear Spread 10 x 60 Degree
OF22-0530*	Beam Soft Filter
OF22-0540*	40 / 60 Degree Diffusion
CC18	Coil Cord Option
SC24	Safety Cable

* X00517 Required

* Wide range of colors available.

NOTES ON DIMMING

Visit tslight.com/resources or scan the QR Code.



SPECIFY:

MODEL	LUMENS	CRI	
ACR	21 = 2100 ^ 23 = 2300 ^^ 25 = 2500 ^ 28 = 2800 ^ 29 = 2900 ^^ 32 = 3200 ^^	80 92	
COLOR TEMPERATURE	FINISH	VOLTAGE	
27 = 2700K 30 = 3000K 35 = 3500K 40 = 4000K 50 = 5000K 57 = 5700K ^^ 65 = 6500K ^^	B = Black W = White S = Silver CC = Custom Color	120 240 277	
OPTICS	MOUNTING	DIMMING †	ACCESSORIES
10 = 10° 20 = 20° 40 = 40° 60 = 60° ZO = 15°-60° Zoom ***	See Mounting Options for Ordering Codes	TE = Trailing Edge * LE = Leading Edge ** 010 = 0-10V ND = Non-Dimming D/I = 0-10V DIM TO 1%	See Accessory Options for Ordering Codes

Maximum Ambient Temperature: 35°C
Maximum Operating Angle: 45° from vertical

* 120V Only, except 2300 & 3200 lumens, 80 CRI and 2100 & 2800 Lumens, 92 CRI
** 120V Only
*** 2300 Lumens Only

† See "Notes on Dimming"
^ 92 CRI Only
^^ 80 CRI Only

ORDERING INFORMATION

PROJECT:	
LOCATION:	
QUANTITY:	
CONTACT:	
PHONE:	
EMAIL:	

EXAMPLE: ACR21-80-27-B-120-20-T1-TE-BD20

MODEL	LUMENS	CRI	COLOR TEMPERATURE	FINISH	VOLTAGE	OPTICS	MOUNTING	DIMMING	ACCESSORIES
ACR21									